

# PRODUCT CATALOG 2011



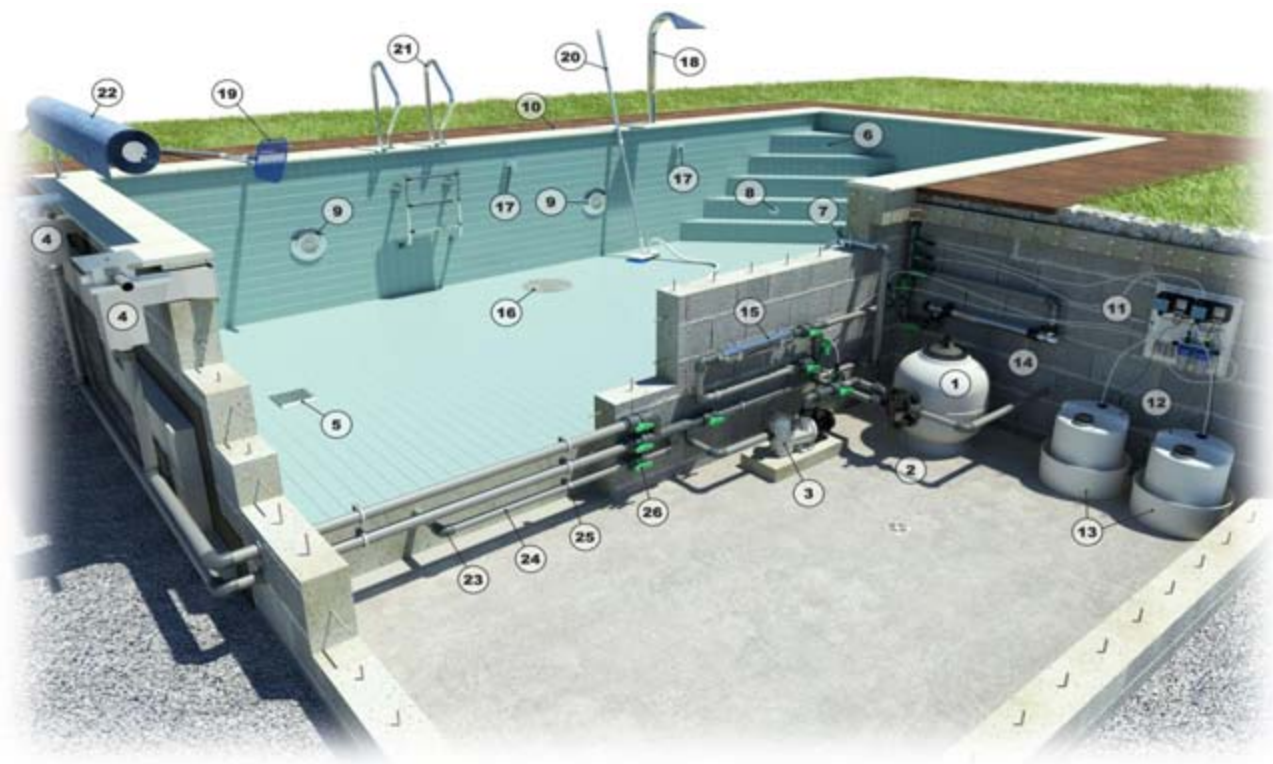
**INFINITY – Your Partner for the Future**

**INFINITY**  
Pool & Filter Products

<p><b>1 FILTERS FOR COMMERCIAL POOLS</b></p> <p>Laminated filters          Bobbin wound filters          Accessories to laminated filters and bobbin wound filters          Flowmeters          Battery</p>	<p><b>3</b></p>
<p><b>2 FILTERS FOR PRIVATE POOLS</b></p> <p>Laminated filters          Blowed filters          Accessories to private filters</p>	<p><b>39</b></p>
<p><b>3 FILTRATION UNITS</b></p> <p>KIT - polypropylen          KIT - polyethylen          KIT - laminated</p>	<p><b>53</b></p>
<p><b>4 PUMPS &amp; BLOWERS</b></p> <p>Private          Public          Prefilters          Blowers</p>	<p><b>57</b></p>
<p><b>5 WALL FITTINGS</b></p> <p>Aqua de-light          Wall fittings of plastic          Wall fittings of stainless steel</p>	<p><b>91</b></p>
<p><b>6 MEASURING &amp; CONTROL UNITS, DOSING PUMPS</b></p> <p>For public swimming pools          For private swimming pools          Dosing pumps          Accessories for dosing          Sal swimming water treatment          UV-desinfection          Ozon for Spas and family swimming pools</p>	<p><b>117</b></p>
<p><b>7 HEATING FOR SWIMMING POOL WATER</b></p> <p>Electric heater          Heat exchangers (low temperature, titanium, stainless-steel)</p>	<p><b>139</b></p>
<p><b>8 SWIMMING POOL ATTRACTION</b></p> <p>Counter-current          Jetstream          Inlet fittings          Hydromassage beds and arm-chairs          Water games</p>	<p><b>145</b></p>
<p><b>9 ACCESSORIES FOR SWIMMING POOLS</b></p> <p>Cleaning equipment          Ladders          Handrails          Showers          Overflow gratings</p>	<p><b>169</b></p>
<p><b>10 SWIMMING POOL COVERS</b></p> <p>Automatic venetian cover with roller above water level          Automatic venetian cover with roller below water level          Reel systems</p>	<p><b>187</b></p>
<p><b>11 PVC FITTINGS AND PIPES</b></p>	<p><b>209</b></p>
<p><b>12 Terms of Trade of INFINITY pool and filter products s.r.o.</b></p>	<p><b>238</b></p>



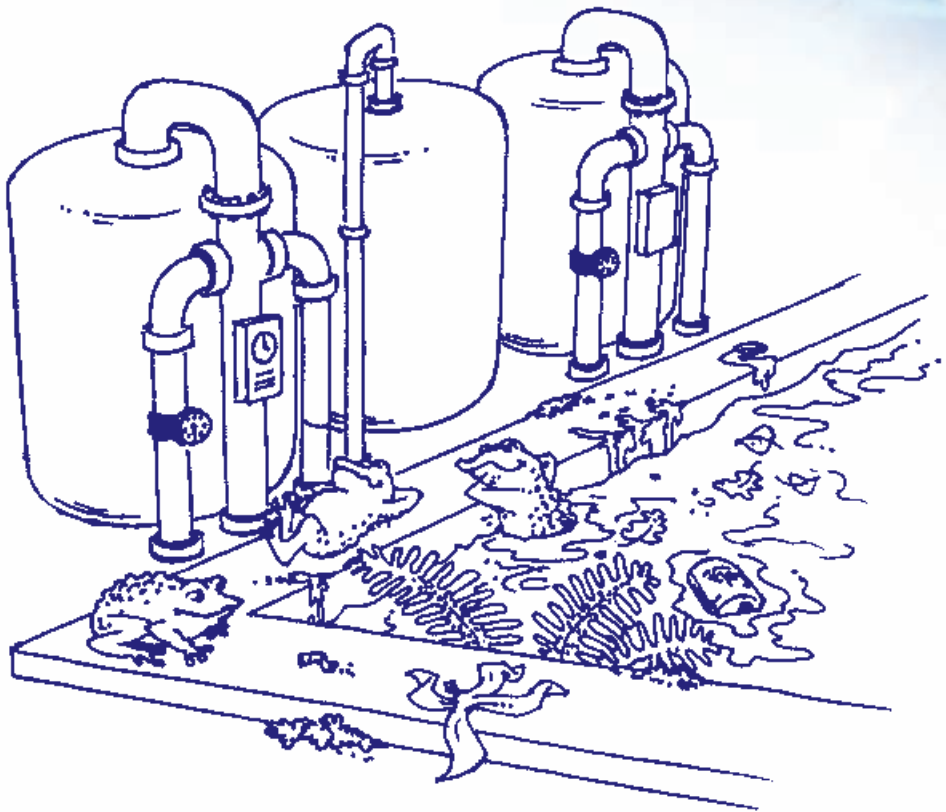
## HYDRAULIC CIRCUIT OF SKIMMER PRIVATE POOL



<i>POZ</i>	<i>NAME</i>	<i>CHAPTER</i>	<i>PAGE</i>
1	FILTER	2	40-45
2	6-WAY VALVE	2	46-51
3	RECIRCULATION CENTRIFUGAL PUMP	4	58-63
4	SKIMMER	5	95, 99, 110
-	LEVEL REGULATOR	5	96, 111
5	BOTTOM DRAIN	5	96, 104, 111
6	WALL INLET NOZZLE	5	96, 106, 107, 112
7	SUCTION VACUUM CLEANER	5	97, 107, 113
8	UNDERWATER MINI LIGHT	5	100-102, 114, 116
9	UNDERWATER LIGHT	5	92-94, 98, 100...
10	DECK BOX FOR UNDERWATER LIGHT	5	98, 104, 114
11	MEASURING, REGULATION AND DOSING SYSTEM	6	121-131
12	DOSING TANK	6	132
13	POLYETHYLENE BASINS FOR TANKS OF VARIOUS CAPACITIES	6	132
14	UV DESINFECTION	6	135-136
15	HEATING FOR SWIMMING POOL WATER	7	140-144
16	AIR HYDROMASSAGE ROUND GRILLE	8	152, 155
17	PNEUMATIC BUTTON FOR POOL ATTRACTION	8	158
-	WALL SAFETY GRILLES WITH RAPID ATTACHMENT	8	154, 158, 159, 160
18	WATER GAMES	8	162-168
19	LEAF SKIMMER	9	172
20	VACUUM CLEANER	9	170, 174
21	LADDERS	9	175-179
22	SWIMMING POOL COVER ROLLERS	10	188-208
23	PVC FITTINGS	11	210-227
24	PVC TUBES (PN7,5 - PN16)	11	225
25	PIPE CLIPS	11	212
26	PVC VALVE	11	229-235



# ***FILTERS FOR COMMERCIAL POOLS***





## LAMINATED FILTERS

### URSA MAIOR nozzle plates

Polyester filter reinforced with glass fibre, complete with a jet bottom for air washing, internal tubing, 2 inspection windows, drain ball valve, pressure gauge, air-relief and aeration valve, 6-way valve, sight glass - extra charge.

- Filter bed height: **1,2 m**
- Filtration speed: **30 m<sup>3</sup>/h/m<sup>2</sup>**
- Max. operation pressure: **2,5 bar**
- Max. operation temperature: **40°C**
- For backwashing with air and water

### Multi-bed filter URSA MAIOR series

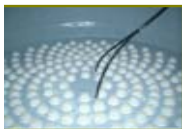
#### Rabat Group



120025 **Ø 610** Capacity: 9 m<sup>3</sup>/h  
 Filtration area: 0,29 m<sup>2</sup>  
 Height of the filtration bed: 1,2 m

Filtration speed: 30 m<sup>3</sup>/h/m<sup>2</sup>  
 Filter charge: 525 kg  
 Weight: 77 kg

B



120026 **Ø 765** Capacity: 14 m<sup>3</sup>/h  
 Filtration area: 0,45 m<sup>2</sup>  
 Height of the filtration bed: 1,2 m

Filtration speed: 30 m<sup>3</sup>/h/m<sup>2</sup>  
 Filter charge: 725 kg  
 Weight: 95 kg

B

120027 **Ø 910** Capacity: 20 m<sup>3</sup>/h  
 Filtration area: 0,65 m<sup>2</sup>  
 Height of the filtration bed: 1,2 m

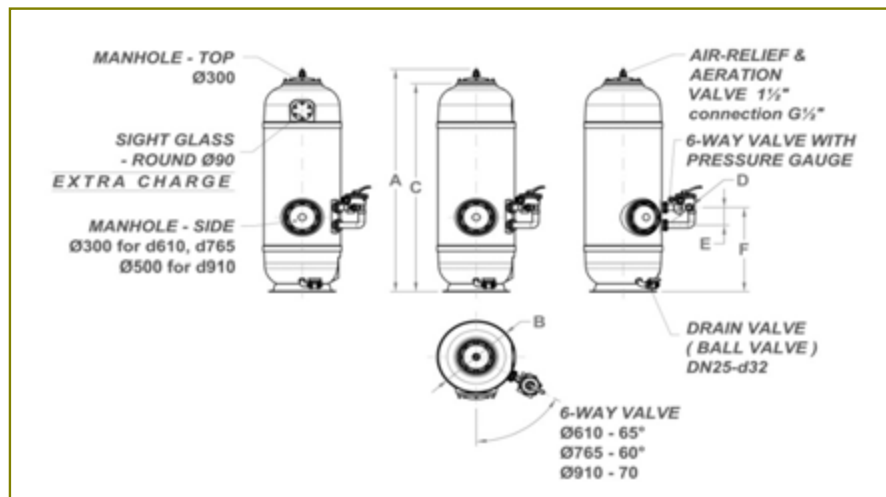
Filtration speed: 30 m<sup>3</sup>/h/m<sup>2</sup>  
 Filter charge: 1050 kg  
 Weight: 122 kg

B

extra charge for **sight glass Ø 90**



CODE KÓD KODE	TYPE TYP TYP	DIMENSIONS / ROZMĚRY / DIMENSIONEN [mm]					
		A	B	C	D	E	F
120025	Ø610	1910	610	1785	1½"	152	717
120026	Ø765	1985	765	1860	2"	230	875
120027	Ø910	2025	910	1900	2"	230	890



CODE KÓD KODE	TYPE TYP TYP	FILTRATION AREA FILTRAČNÍ PLOCHA FILTERFLÄCHE	HEIGHT OF THE FILTR. BED VÝŠKA FILTRAČNÍ VRSTVY FILTERBETHÖHE	FILTRATION SPEED FILTRAČNÍ RYCHLOST FILTERGESCHWINDIGKEIT	CAPACITY VÝKON DURCHFLOSS	FILTER CHARGE FILTRAČNÍ NÁPLŇ SANDFÜLLUNG	WEIGHT HMOTNOST GEWICHT
120025	Ø610	0,29 m <sup>2</sup>	1,2 m	30 m <sup>3</sup> /h/m <sup>2</sup>	9 m <sup>3</sup> /h	525 kg	77 kg
120026	Ø765	0,45 m <sup>2</sup>	1,2 m	30 m <sup>3</sup> /h/m <sup>2</sup>	14 m <sup>3</sup> /h	725 kg	95 kg
120027	Ø910	0,65 m <sup>2</sup>	1,2 m	30 m <sup>3</sup> /h/m <sup>2</sup>	20 m <sup>3</sup> /h	1050 kg	122 kg

### URSA MAIOR arm collector

Polyester filter reinforced with glass fibre, complete with a jet distributor, internal tubing, 2 inspection windows, a drain valve with a reduction to a hose, pressure gauge with de-aeration, 6-way valve, inspection glass - extra charge.

- Filter bed height: **1,2 m**
- Filtration speed: **30 m<sup>3</sup>/h/m<sup>2</sup>**
- Max. operation pressure: **2,5 bar**
- Max. operation temperature: **40°C**
- For backwashing with only water

### Multi-bed filter URSA MAIOR series

**Rabat Group**



120028 **Ø 610** Capacity: 9 m<sup>3</sup>/h  
Filtration area: 0,29 m<sup>2</sup>  
Height of the filtration bed: 1,2 m

Filtration speed: 30 m<sup>3</sup>/h/m<sup>2</sup>  
Filter charge: 575 kg  
Weight: 69 kg

B



120029 **Ø 765** Capacity: 14 m<sup>3</sup>/h  
Filtration area: 0,45 m<sup>2</sup>  
Height of the filtration bed: 1,2 m

Filtration speed: 30 m<sup>3</sup>/h/m<sup>2</sup>  
Filter charge: 800 kg  
Weight: 85 kg

B

120030 **Ø 910** Capacity: 20 m<sup>3</sup>/h  
Filtration area: 0,65 m<sup>2</sup>  
Height of the filtration bed: 1,2 m

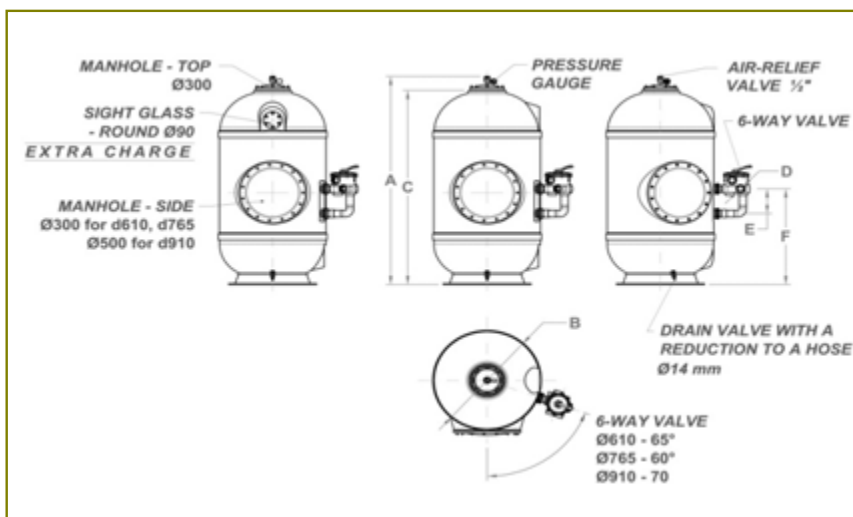
Filtration speed: 30 m<sup>3</sup>/h/m<sup>2</sup>  
Filter charge: 1125 kg  
Weight: 110 kg

B

extra charge for **sight glass Ø 90**



CODE KÓD KODE	TYPE TYP TYP	DIMENSIONS / ROZMĚRY / DIMENSIONEN [mm]					
		A	B	C	D	E	F
120028	Ø610	1810	610	1680	1½"	152	717
120029	Ø765	1885	765	1755	2"	230	875
120030	Ø910	1925	910	1795	2"	230	890



CODE KÓD KODE	TYPE TYP TYP	FILTRATION AREA FILTRAČNÍ PLOCHA FILTERFLÄCHE	HEIGHT OF THE FILTR. BED VÝŠKA FILTRAČNÍ VRSTVY FILTERBETTHÖHE	FILTRATION SPEED FILTRAČNÍ RYCHLOST FILTERGESCHWINDIGKEIT	CAPACITY VÝKON DURCHFLUSS	FILTER CHARGE FILTRAČNÍ NÁPLŇ SANDFÜLLUNG	WEIGHT HMOTNOST GEWICHT
120028	Ø610	0,29 m <sup>2</sup>	1,2 m	30 m <sup>3</sup> /h/m <sup>2</sup>	9 m <sup>3</sup> /h	575 kg	69 kg
120029	Ø765	0,45 m <sup>2</sup>	1,2 m	30 m <sup>3</sup> /h/m <sup>2</sup>	14 m <sup>3</sup> /h	800 kg	85 kg
120030	Ø910	0,65 m <sup>2</sup>	1,2 m	30 m <sup>3</sup> /h/m <sup>2</sup>	20 m <sup>3</sup> /h	1125 kg	110 kg

**URSA MINOR nozzle plates**

Polyester filter reinforced with glass fibre, complete with a jet bottom for air washing, internal tubing, 2 inspection windows, drain ball valve, pressure gauge, air-relief and aeration valve, 6-way valve, inspection glass - extra charge.

- Filter bed height: **1,0 m**
- Filtration speed: **30 m<sup>3</sup>/h/m<sup>2</sup>**
- Max. operation pressure: **2,5 bar**
- Max. operation temperature: **40°C**
- For backwashing with air and water

**Multi-bed filter URSA MINOR series**

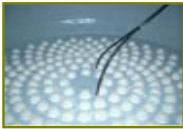
**Rabat Group**



120019 **Ø 610** Capacity: 9 m<sup>3</sup>/h  
Filtration area: 0,29 m<sup>2</sup>  
Height of the filtration bed: 1 m

Filtration speed: 30 m<sup>3</sup>/h/m<sup>2</sup>  
Filter charge: 425 kg  
Weight: 64 kg

B



120020 **Ø 765** Capacity: 14 m<sup>3</sup>/h  
Filtration area: 0,45 m<sup>2</sup>  
Height of the filtration bed: 1 m

Filtration speed: 30 m<sup>3</sup>/h/m<sup>2</sup>  
Filter charge: 625 kg  
Weight: 80 kg

B

120021 **Ø 910** Capacity: 20 m<sup>3</sup>/h  
Filtration area: 0,65 m<sup>2</sup>  
Height of the filtration bed: 1 m

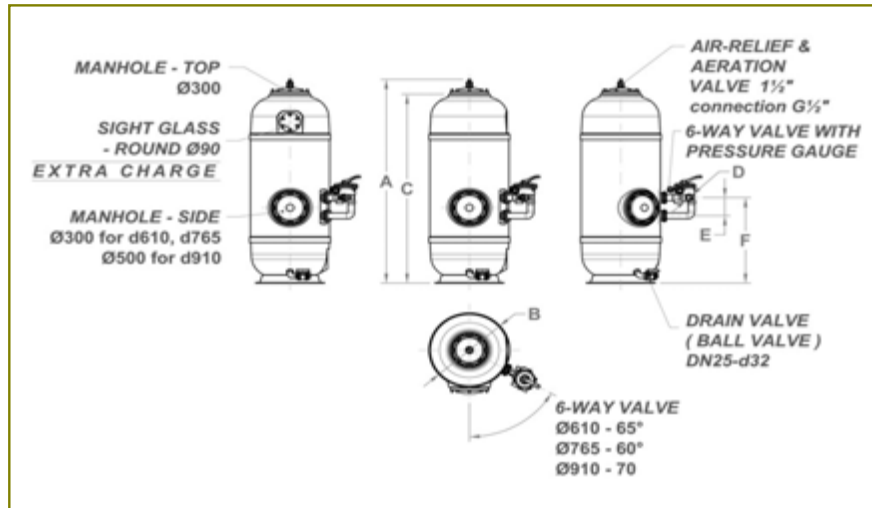
Filtration speed: 30 m<sup>3</sup>/h/m<sup>2</sup>  
Filter charge: 875 kg  
Weight: 99 kg

B

extra charge for **sight glass Ø 90**



DIMENSIONS / ROZMĚRY / DIMENSIONEN [mm]							
CODE KÓD KODE	TYPE TYP TYP	A	B	C	D	E	F
120019	Ø610	1710	610	1585	1½"	152	717
120020	Ø765	1735	765	1610	2"	230	875
120021	Ø910	1825	910	1700	2"	230	890



CODE KÓD KODE	TYPE TYP TYP	FILTRATION AREA FILTRAČNÍ PLOCHA FILTERFLÄCHE	HEIGHT OF THE FILTR. BED VÝŠKA FILTRAČNÍ VRSTVY FILTERBETTHÖHE	FILTRATION SPEED FILTRAČNÍ RYCHLOST FILTERGESCHWINDIGKEIT	CAPACITY VÝKON DURCHFLUSS	FILTER CHARGE FILTRAČNÍ NÁPLŇ SANDFÜLLUNG	WEIGHT HMOTNOST GEWICHT
120019	Ø610	0,29 m <sup>2</sup>	1,0 m	30 m <sup>3</sup> /h/m <sup>2</sup>	9 m <sup>3</sup> /h	425 kg	64 kg
120020	Ø765	0,45 m <sup>2</sup>	1,0 m	30 m <sup>3</sup> /h/m <sup>2</sup>	14 m <sup>3</sup> /h	625 kg	80 kg
120021	Ø910	0,65 m <sup>2</sup>	1,0 m	30 m <sup>3</sup> /h/m <sup>2</sup>	20 m <sup>3</sup> /h	875 kg	99 kg



### URSA MINOR arm collector

Polyester filter reinforced with glass fibre, complete with a jet distributor, internal tubing, 2 inspection windows, a drain valve with a reduction to a hose, pressure gauge with de-aeration, 6-way valve, inspection glass - extra charge.

- Filter bed height: **1,0 m**
- Filtration speed: **30 m<sup>3</sup>/h/m<sup>2</sup>**
- Max. operation pressure: **2,5 bar**
- Max. operation temperature: **40°C**
- For backwashing with only water

### Multi-bed filter URSA MINOR series

**Rabat Group**



120022 **Ø 610** Capacity: 9 m<sup>3</sup>/h  
Filtration area: 0,29 m<sup>2</sup>  
Height of the filtration bed: 1 m

Filtration speed: 30 m<sup>3</sup>/h/m<sup>2</sup>  
Filter charge: 475 kg  
Weight: 52 kg

B



120023 **Ø 765** Capacity: 14 m<sup>3</sup>/h  
Filtration area: 0,45 m<sup>2</sup>  
Height of the filtration bed: 1 m

Filtration speed: 30 m<sup>3</sup>/h/m<sup>2</sup>  
Filter charge: 650 kg  
Weight: 66 kg

B

120024 **Ø 910** Capacity: 20 m<sup>3</sup>/h  
Filtration area: 0,65 m<sup>2</sup>  
Height of the filtration bed: 1 m

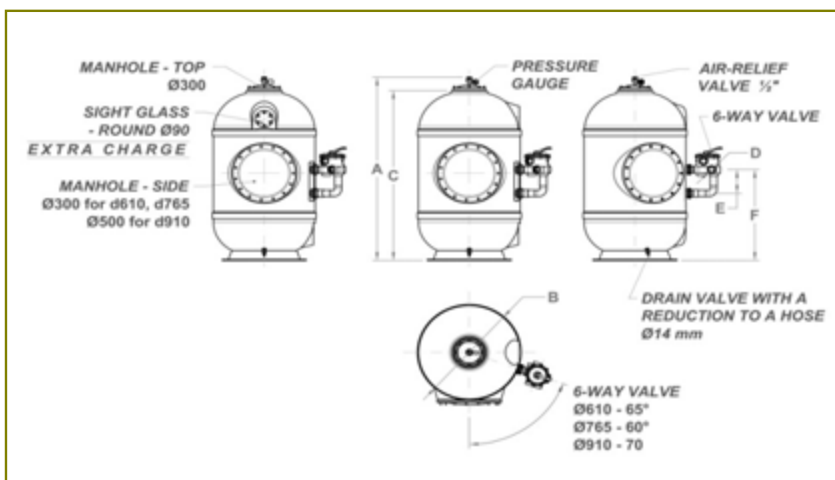
Filtration speed: 30 m<sup>3</sup>/h/m<sup>2</sup>  
Filter charge: 925 kg  
Weight: 88 kg

B

extra charge for **sight glass Ø 90**



CODE KÓD KODE	TYPE TYP TYP	DIMENSIONS / ROZMĚRY / DIMENSIONEN [mm]					
		A	B	C	D	E	F
120022	Ø610	1620	610	1490	1½"	152	717
120023	Ø765	1685	765	1555	2"	230	875
120024	Ø910	1775	910	1645	2"	230	890



CODE KÓD KODE	TYPE TYP TYP	FILTRATION AREA FILTRAČNÍ PLOCHA FILTERFLÄCHE	HEIGHT OF THE FILTR. BED VÝŠKA FILTRAČNÍ VRSTVY FILTERBETTHÖHE	FILTRATION SPEED FILTRAČNÍ RYCHLOST FILTERGESCHWINDIGKEIT	CAPACITY VÝKON DURCHFLOSS	FILTER CHARGE FILTRAČNÍ NÁPLŇ SANDFÜLLUNG	WEIGHT HMOTNOST GEWICHT
120022	Ø610	0,29 m <sup>2</sup>	1,0 m	30 m <sup>3</sup> /h/m <sup>2</sup>	9 m <sup>3</sup> /h	475 kg	52 kg
120023	Ø765	0,45 m <sup>2</sup>	1,0 m	30 m <sup>3</sup> /h/m <sup>2</sup>	14 m <sup>3</sup> /h	650 kg	66 kg
120024	Ø910	0,65 m <sup>2</sup>	1,0 m	30 m <sup>3</sup> /h/m <sup>2</sup>	20 m <sup>3</sup> /h	925 kg	88 kg

**DTS ECO STANDARD**

Filters series DTS ECO is high quality, one-bed filters, for water filtration in swimming pools and whirlpools. Filters DTS ECO are produced with arm collectors, for back washing only with water. This one-bed filters are produced from polyester resin with glass fibre, complete with internal tubing, top inspection windows, drain valve, air-relief valve, from filter Ø 1080 to Ø 1500 VDL cut out connection and from filter Ø 1800 to Ø 2000 flange connection.

- Top inspection window Ø500 mm
- Arm collector with slots 0,25 mm
- Drain (ball) valve, air relief valve
- Inlets/outlets with VDL cutout and flange
- Filter bed height: **1,0 m**
- Filtration speed: **30 m<sup>3</sup>/h/m<sup>2</sup>**
- Max. operation pressure: **2,5 bar**
- Max. operation temperature: **40°C**
- For backwashing with only water

**Rabat Group**



120050 **Ø 1080** Capacity: 28 m<sup>3</sup>/h  
Filtration area: 0,92 m<sup>2</sup>  
Height of the filtration bed: 1,0 m

Filtration speed: 30 m<sup>3</sup>/h/m<sup>2</sup>  
Weight without sand: 140 kg  
Filter charge: 1300 kg

A



120051 **Ø 1250** Capacity: 37 m<sup>3</sup>/h  
Filtration area: 1,23 m<sup>2</sup>  
Height of the filtration bed: 1,0 m

Filtration speed: 30 m<sup>3</sup>/h/m<sup>2</sup>  
Weight without sand: 170 kg  
Filter charge: 1750 kg

A

120052 **Ø 1500** Capacity: 53 m<sup>3</sup>/h  
Filtration area: 1,76 m<sup>2</sup>  
Height of the filtration bed: 1,0 m

Filtration speed: 30 m<sup>3</sup>/h/m<sup>2</sup>  
Weight without sand: 270 kg  
Filter charge: 2300 kg

A

120053 **Ø 1800** Capacity: 76 m<sup>3</sup>/h  
Filtration area: 2,54 m<sup>2</sup>  
Height of the filtration bed: 1,0 m

Filtration speed: 30 m<sup>3</sup>/h/m<sup>2</sup>  
Weight without sand: 350 kg  
Filter charge: 3000 kg

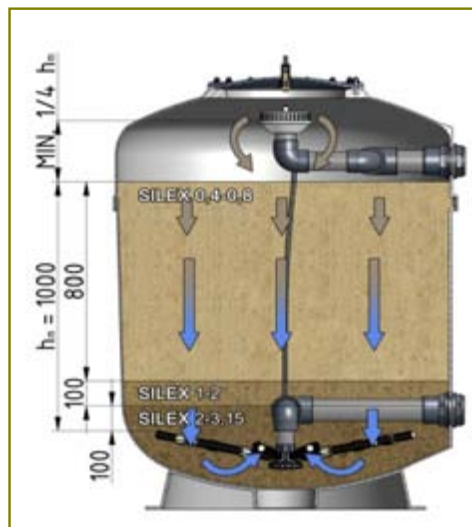
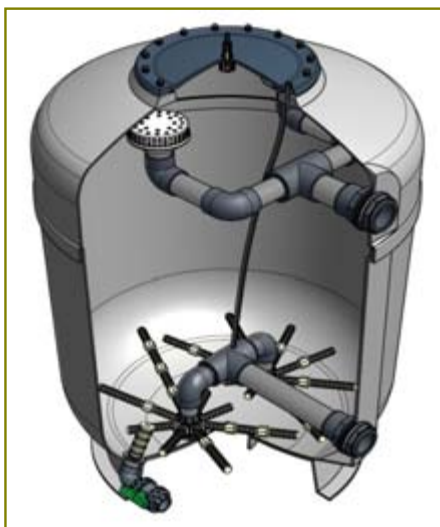
A

120054 **Ø 2000** Capacity: 94 m<sup>3</sup>/h  
Filtration area: 3,14 m<sup>2</sup>  
Height of the filtration bed: 1,0 m

Filtration speed: 30 m<sup>3</sup>/h/m<sup>2</sup>  
Weight without sand: 455 kg  
Filter charge: 3900 kg

A

**Technical specification - next page!**



▲ view "DTS ECO 1800 Standard"

◀ scheme view "DTS ECO 1250 Standard"

CODE KÓD KODE	TYPE TYP TYP	CAPACITY VÝKON DURCHFLOß	FILTRATION SPEED FILTRAČNÍ RYCHLOST FILTERGESCHWINDIGKEIT	FILTRATION AREA FILTRAČNÍ PLOCHA FILTERFLÄCHE	HEIGHT OF THE FILTRATION BED VÝŠKA FILTRAČNÍ VRSTVY FILTERBETTHÖHE	FILTER CHARGE FILTRAČNÍ NÁPLŇ SANDFÜLLUNG	WEIGHT HMOTNOST GEWICHT
120050	Ø1080	28 m <sup>3</sup> /h	30 m <sup>3</sup> /h/m <sup>2</sup>	0,92 m <sup>2</sup>	1,0 m	1300 kg	140 kg
120051	Ø1250	37 m <sup>3</sup> /h	30 m <sup>3</sup> /h/m <sup>2</sup>	1,23 m <sup>2</sup>	1,0 m	1750 kg	170 kg
120052	Ø1500	53 m <sup>3</sup> /h	30 m <sup>3</sup> /h/m <sup>2</sup>	1,76 m <sup>2</sup>	1,0 m	2300 kg	270 kg
120053	Ø1800	76 m <sup>3</sup> /h	30 m <sup>3</sup> /h/m <sup>2</sup>	2,54 m <sup>2</sup>	1,0 m	3000 kg	350 kg
120054	Ø2000	94 m <sup>3</sup> /h	30 m <sup>3</sup> /h/m <sup>2</sup>	3,14 m <sup>2</sup>	1,0 m	3900 kg	455 kg

### DTS ECO DELUX

Filters series DTS ECO DELUX is high quality, one-bed filters, for water filtration in swimming pools and whirlpools. Filters DTS ECO DELUX are produced with special PP arm collectors, for back washing only with water. This one-bed filters are produced from polyester resin with glass fibre, complete with internal tubing, top inspection windows, drain valve, air relief valve, flange connection.

- Top inspection window Ø500 mm
- Arm collector with slots 0,2 mm
- Drain (ball) valve, air relief valve
- Inlets/outlets with flange
- Filter bed height: **1,0 m**
- Filtration speed: **30 m<sup>3</sup>/h/m<sup>2</sup>**
- Max. operation pressure: **2,5 bar**
- Max. operation temperature: **40°C**
- For backwashing with only water

#### Rabat Group



120055 **Ø 1080** Capacity: 28 m<sup>3</sup>/h  
Filtration area: 0,92 m<sup>2</sup>  
Height of the filtration bed: 1,0 m

Filtration speed: 30 m<sup>3</sup>/h/m<sup>2</sup>  
Weight without sand: 140 kg  
Filter charge: 1300 kg

A



120058 **Ø 1800** Capacity: 76 m<sup>3</sup>/h  
Filtration area: 2,54 m<sup>2</sup>  
Height of the filtration bed: 1,0 m

Filtration speed: 30 m<sup>3</sup>/h/m<sup>2</sup>  
Weight without sand: 350 kg  
Filter charge: 3000 kg

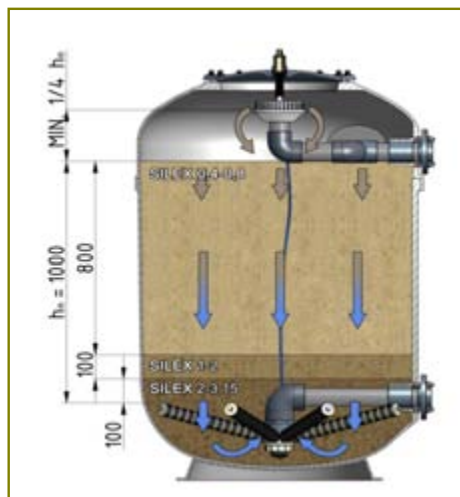
A

120059 **Ø 2000** Capacity: 94 m<sup>3</sup>/h  
Filtration area: 3,14 m<sup>2</sup>  
Height of the filtration bed: 1,0 m

Filtration speed: 30 m<sup>3</sup>/h/m<sup>2</sup>  
Weight without sand: 455 kg  
Filter charge: 3900 kg

A

#### Technical specification - next page!



▲ view "DTS ECO 1800 Deluxe"

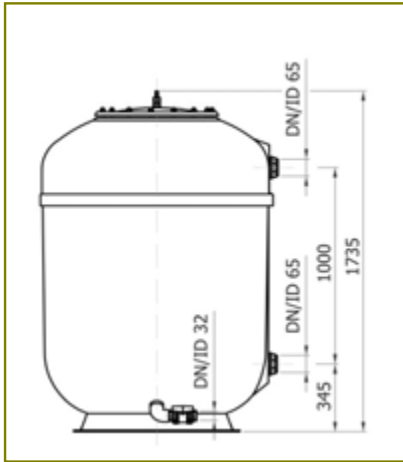
◀ scheme view "DTS ECO 1080 Deluxe"

CODE KÓD KODE	TYPE TYP	CAPACITY VÝKON DURCHFLOU	FILTRATION SPEED FILTRAČNÍ RYCHLOST FILTERGESCHWINDIGKEIT	FILTRATION AREA FILTRAČNÍ PLOCHA FILTERFLÄCHE	HEIGHT OF THE FILTRATION BED VÝŠKA FILTRAČNÍ VRSTVY FILTERBETTHÖHE	FILTER CHARGE FILTRAČNÍ NÁPLŇ SANDFÜLLUNG	WEIGHT HMOTNOST GEWICHT
120055	Ø1080	28 m <sup>3</sup> /h	30 m <sup>3</sup> /h/m <sup>2</sup>	0,92 m <sup>2</sup>	1,0 m	1300 kg	140 kg
120056	Ø1250	37 m <sup>3</sup> /h	30 m <sup>3</sup> /h/m <sup>2</sup>	1,23 m <sup>2</sup>	1,0 m	1750 kg	170 kg
120057	Ø1500	53 m <sup>3</sup> /h	30 m <sup>3</sup> /h/m <sup>2</sup>	1,76 m <sup>2</sup>	1,0 m	2300 kg	270 kg
120058	Ø1800	76 m <sup>3</sup> /h	30 m <sup>3</sup> /h/m <sup>2</sup>	2,54 m <sup>2</sup>	1,0 m	3000 kg	350 kg
120059	Ø2000	94 m <sup>3</sup> /h	30 m <sup>3</sup> /h/m <sup>2</sup>	3,14 m <sup>2</sup>	1,0 m	3900 kg	455 kg

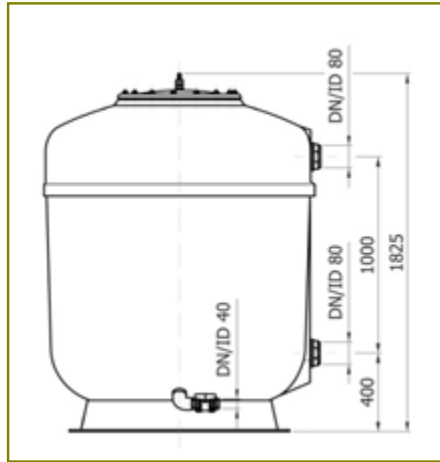


**DTS ECO TECHNICAL SPECIFICATION**

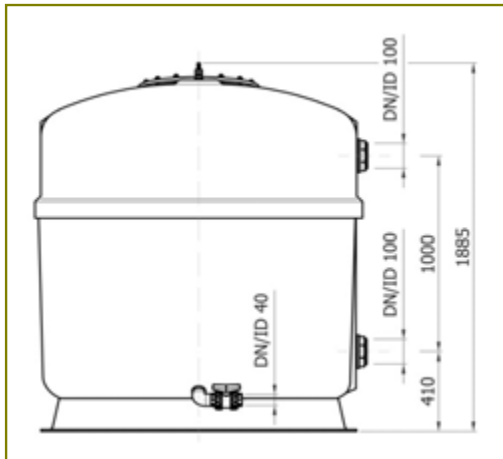
**DTS ECO d1080**



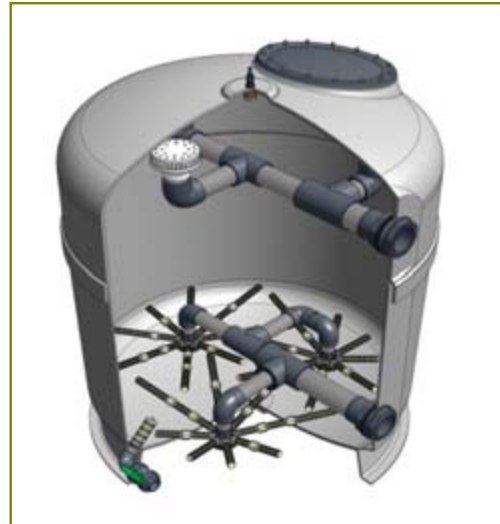
**DTS ECO d1250**



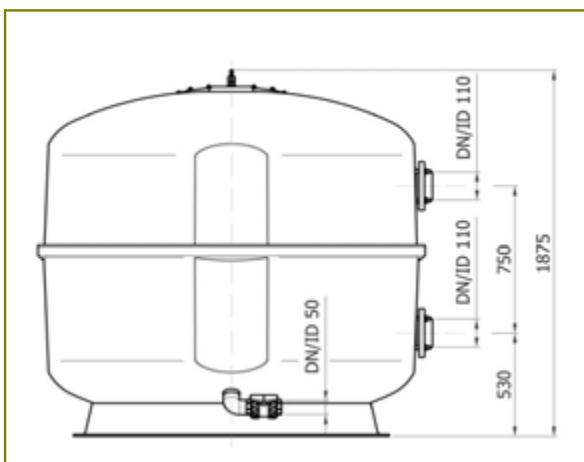
**DTS ECO d1500**



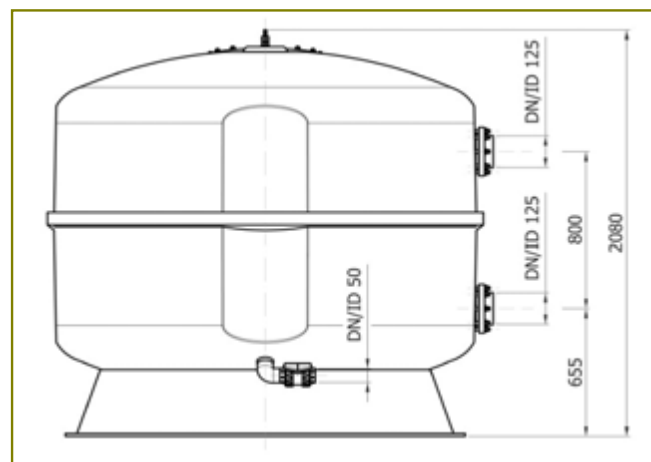
**scheme view "DTS ECO 1500 Standard"**



**DTS ECO d1800**



**DTS ECO d2000**



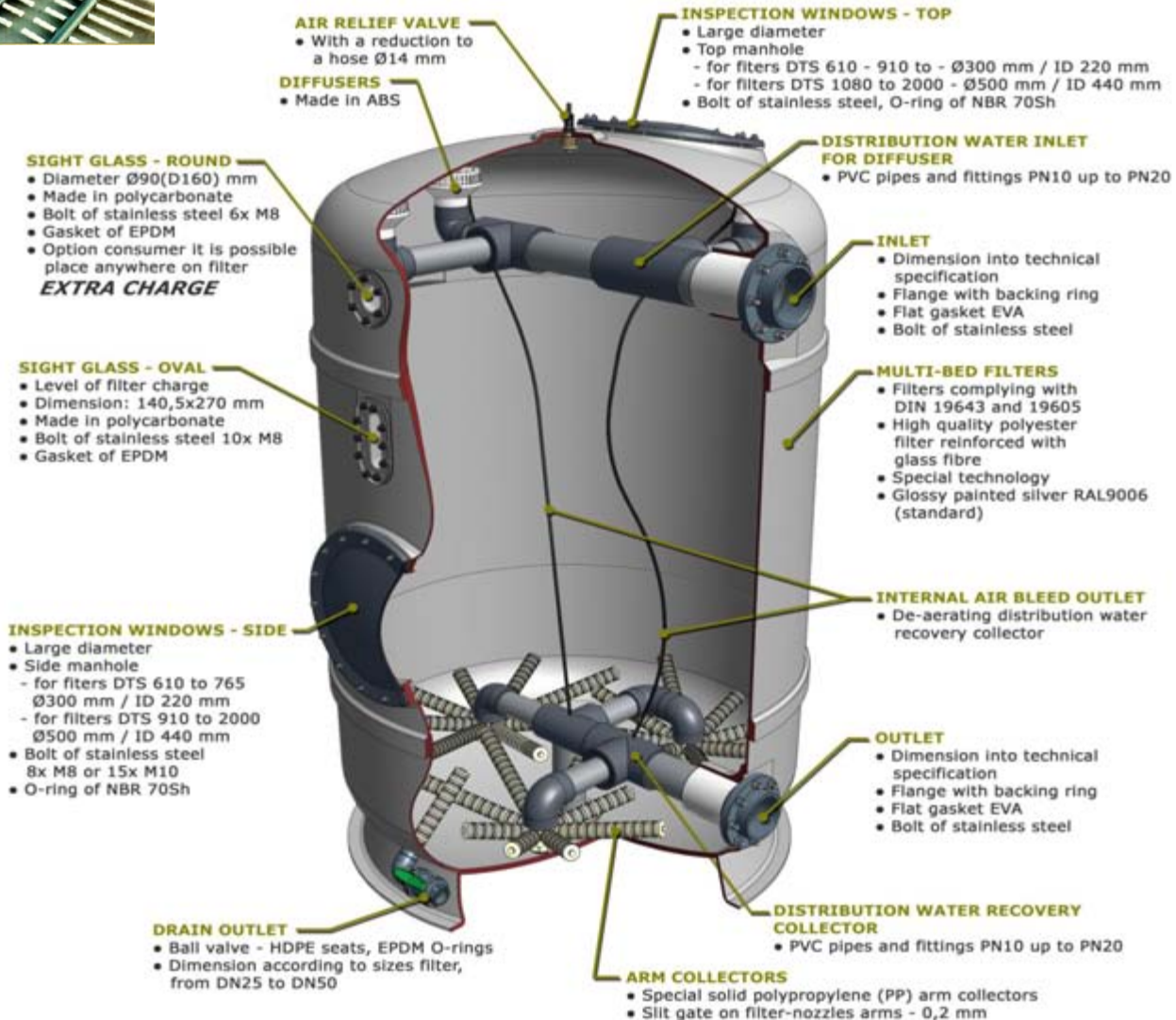
### DTS SERIES

Filters series DTS is high quality, multi-bed filters complying with DIN 19643 and 19605, for water filtration in swimming pools and whirlpools. Filters DTS are produced with arm collectors, for back washing only with water. This multi-bed filters are produced from polyester resin with glass fibre, complete with internal tubing, Top and Side inspection windows, drain valve, air relief valve, flanges. Filters DTS are equipped with bottom arm collectors and inspection glass.

#### Rabat Group



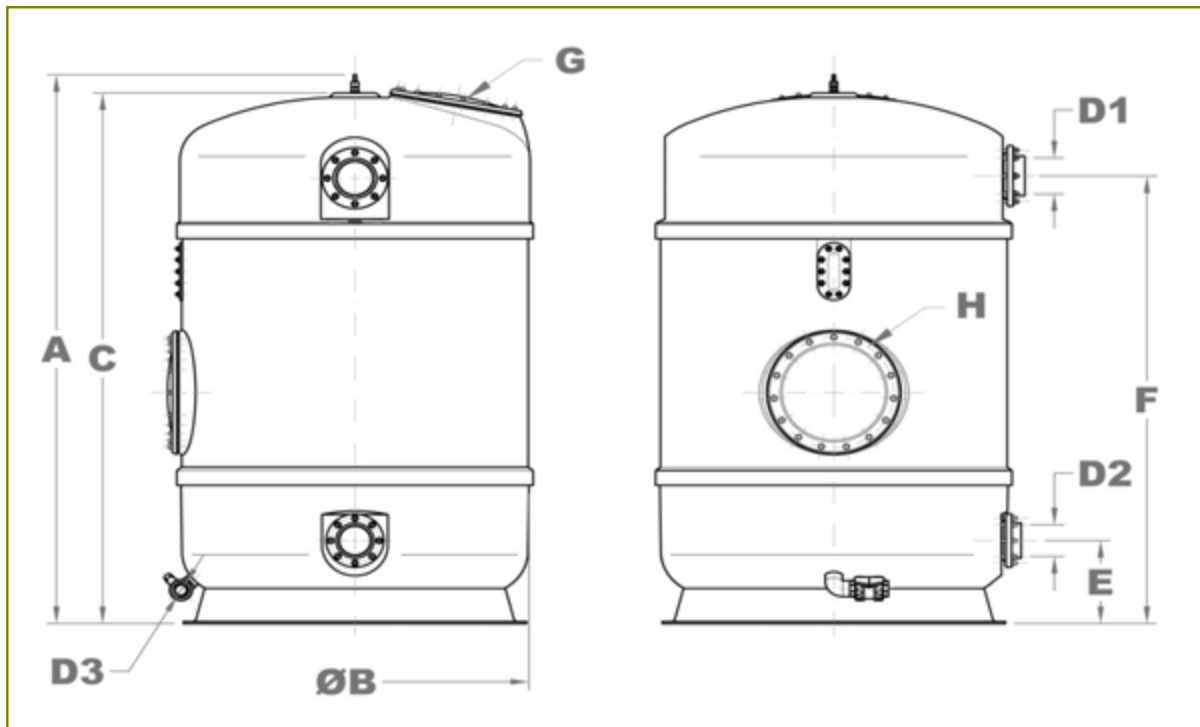
120010	Ø 610	Capacity: 9 m3/h	Filtration speed: 30 m3/h/m2	A
120011	Ø 765	Capacity: 14 m3/h	Filtration speed: 30 m3/h/m2	A
120012	Ø 910	Capacity: 20 m3/h	Filtration speed: 30 m3/h/m2	A
120013	Ø 1080	Capacity: 28 m3/h	Filtration speed: 30 m3/h/m2	A
120014	Ø 1250	Capacity: 37 m3/h	Filtration speed: 30 m3/h/m2	A
120015	Ø 1500	Capacity: 53 m3/h	Filtration speed: 30 m3/h/m2	A
120040	Ø 1800	Capacity: 76 m3/h	Filtration speed: 30 m3/h/m2	A
120041	Ø 2000	Capacity: 94 m3/h	Filtration speed: 30 m3/h/m2	A



**DTS TECHNICAL SPECIFICATION**


- Air relief valve
- Top and side inspection window
- Arm collector with slots 0,2 mm
- Drain (ball) valve
- Inlets and outlets with flanges
- Oval inspection glass
- Filter bed height: **1,2 m**
- Filtration speed: **30 m<sup>3</sup>/h/m<sup>2</sup>**
- Max. operation pressure: **2,5 bar**
- Max. operation temperature: **40°C**
- For backwashing with only water

CODE KÓD KODE	TYPE TYP TYP	DIMENSIONS / ROZMĚRY / DIMENSIONEN [mm]									
		A	B	C	D1	D2	D3	E	F	G	H
120010	Ø610	2020	610	1890	DN65	DN65	DN20	210	1665	Ø300	Ø300
120011	Ø765	2230	765	2100	DN80	DN65	DN20	265	1890	Ø300	Ø300
120012	Ø910	2100	910	1970	DN100	DN80	DN25	260	1700	Ø300	Ø500
120013	Ø1080	2280	1080	2145	DN100	DN100	DN32	325	1880	Ø500	Ø500
120014	Ø1250	2350	1250	2215	DN100	DN100	DN40	385	1925	Ø500	Ø500
120015	Ø1500	2580	1500	2495	DN150	DN125	DN40	390	2105	Ø500	Ø500
120040	Ø1800	2680	1800	2595	DN150	DN150	DN50	540	1925	Ø500	Ø500
120041	Ø2000	2900	2000	2815	DN150	DN150	DN50	655	2105	Ø500	Ø500



CODE KÓD KODE	TYPE TYP TYP	CAPACITY VÝKON DURCHFLUSS	FILTRATION SPEED FILTRAČNÍ RYCHLOST FILTERGESCHWINDIGKEIT	FILTRATION AREA FILTRAČNÍ PLOCHA FILTERFLÄCHE	HEIGHT OF THE FILTRATION BED VÝŠKA FILTRAČNÍ VRSTVY FILTERBETTHÖHE	FILTER CHARGE FILTRAČNÍ NÁPLŇ SANDFÜLLUNG	WEIGHT HMOTNOST GEWICHT
120010	Ø610	9 m <sup>3</sup> /h	30 m <sup>3</sup> /h/m <sup>2</sup>	0,29 m <sup>2</sup>	1,2 m	575 kg	115 kg
120011	Ø765	14 m <sup>3</sup> /h	30 m <sup>3</sup> /h/m <sup>2</sup>	0,45 m <sup>2</sup>	1,2 m	725 kg	160 kg
120012	Ø910	20 m <sup>3</sup> /h	30 m <sup>3</sup> /h/m <sup>2</sup>	0,65 m <sup>2</sup>	1,2 m	1175 kg	200 kg
120013	Ø1080	28 m <sup>3</sup> /h	30 m <sup>3</sup> /h/m <sup>2</sup>	0,92 m <sup>2</sup>	1,2 m	1550 kg	260 kg
120014	Ø1250	37 m <sup>3</sup> /h	30 m <sup>3</sup> /h/m <sup>2</sup>	1,23 m <sup>2</sup>	1,2 m	2100 kg	320 kg
120015	Ø1500	53 m <sup>3</sup> /h	30 m <sup>3</sup> /h/m <sup>2</sup>	1,76 m <sup>2</sup>	1,2 m	2750 kg	440 kg
120040	Ø1800	76 m <sup>3</sup> /h	30 m <sup>3</sup> /h/m <sup>2</sup>	2,54 m <sup>2</sup>	1,2 m	3600 kg	600 kg
120041	Ø2000	94 m <sup>3</sup> /h	30 m <sup>3</sup> /h/m <sup>2</sup>	3,14 m <sup>2</sup>	1,2 m	4700 kg	760 kg



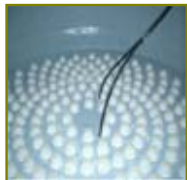
### DDS SERIES

Filters series DDS is high quality, multi-bed filters complying with DIN 19643 and 19605, for water filtration in swimming pools and whirlpools. Filters DDS are produced with nozzle plates, for back washing with air and water. This multi-bed filters are produced from polyester resin with glass fibre, complete with internal tubing, Top and Side inspection windows, drain valve, air relief valve, flanges. Filters DDS are equipped with bottom nozzle plates and sight glass.

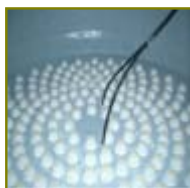
**Rabat Group**



120001	Ø 610	Capacity: 9 m3/h	Filtration speed: 30 m3/h/m2	A
120002	Ø 765	Capacity: 14 m3/h	Filtration speed: 30 m3/h/m2	A
120003	Ø 910	Capacity: 20 m3/h	Filtration speed: 30 m3/h/m2	A
120004	Ø 1080	Capacity: 28 m3/h	Filtration speed: 30 m3/h/m2	A
120005	Ø 1250	Capacity: 37 m3/h	Filtration speed: 30 m3/h/m2	A
120006	Ø 1500	Capacity: 53 m3/h	Filtration speed: 30 m3/h/m2	A
120042	Ø 1800	Capacity: 76 m3/h	Filtration speed: 30 m3/h/m2	A
120043	Ø 2000	Capacity: 94 m3/h	Filtration speed: 30 m3/h/m2	A

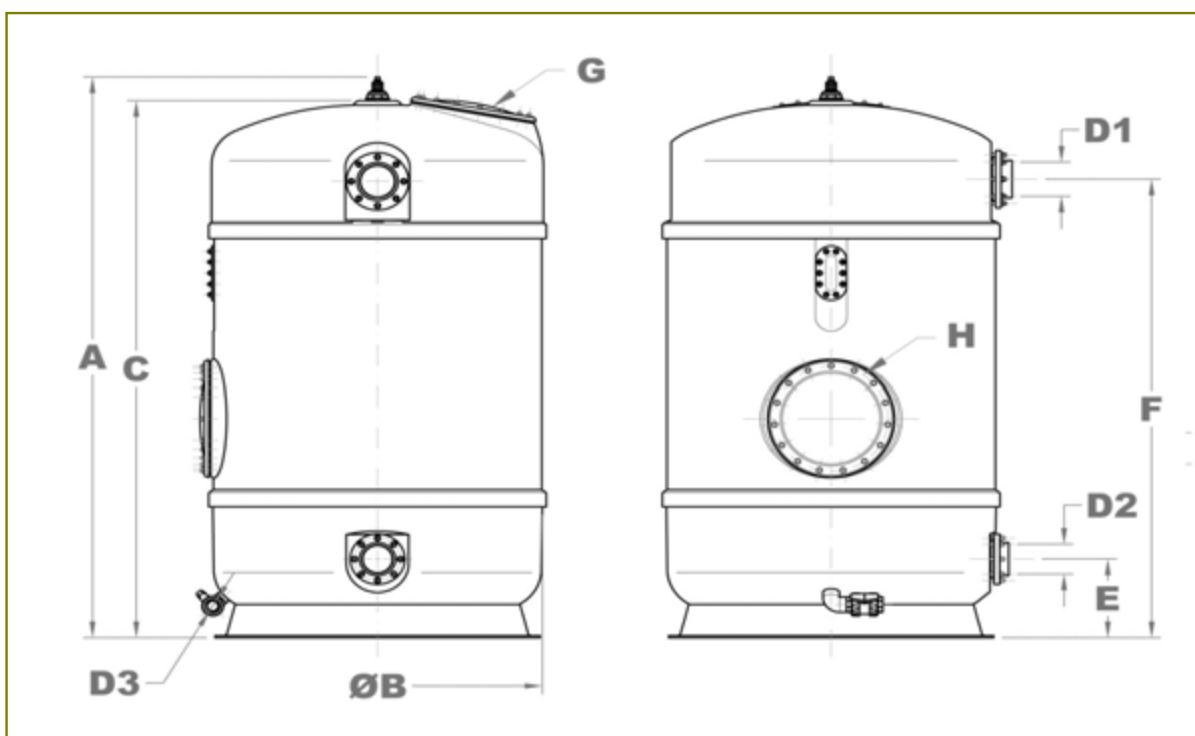


## DDS TECHNICAL SPECIFICATION



- Automatic air relief & aeration valve
- Top and side inspection window
- Nozzle plates for air back washing
- Drain (ball) valve
- Inlets and outlets with flanges
- Oval inspection glass
- Filter bed height: **1,2 m**
- Filtration speed: **30 m<sup>3</sup>/h/m<sup>2</sup>**
- Max. operation pressure: **2,5 bar**
- Max. operation temperature: **40°C**
- For backwashing with air and water

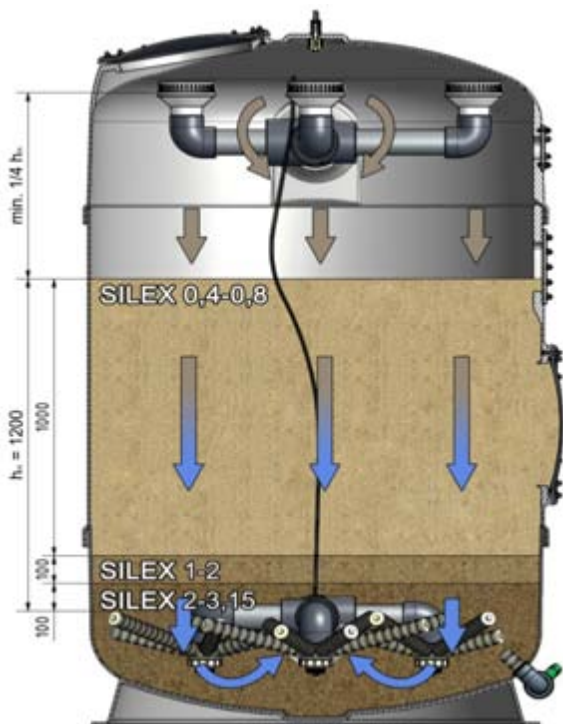
CODE KÓD KODE	TYPE TYP TYP	DIMENSIONS / ROZMĚRY / DIMENSIONEN [mm]									
		A	B	C	D1	D2	D3	E	F	G	H
120001	Ø610	2220	610	2095	DN65	DN65	DN20	210	1870	Ø300	Ø300
120002	Ø765	2295	765	2170	DN80	DN65	DN20	265	1960	Ø300	Ø300
120003	Ø910	2380	910	2255	DN100	DN80	DN25	260	1985	Ø300	Ø500
120004	Ø1080	2580	1080	2465	DN100	DN100	DN32	325	2200	Ø500	Ø500
120005	Ø1250	2730	1250	2610	DN100	DN100	DN40	385	2320	Ø500	Ø500
120006	Ø1500	2780	1500	2665	DN150	DN125	DN40	390	2275	Ø500	Ø500
120042	Ø1800	2780	1800	2665	DN150	DN150	DN50	540	1995	Ø500	Ø500
120043	Ø2000	2925	2000	2815	DN150	DN150	DN50	655	2105	Ø500	Ø500



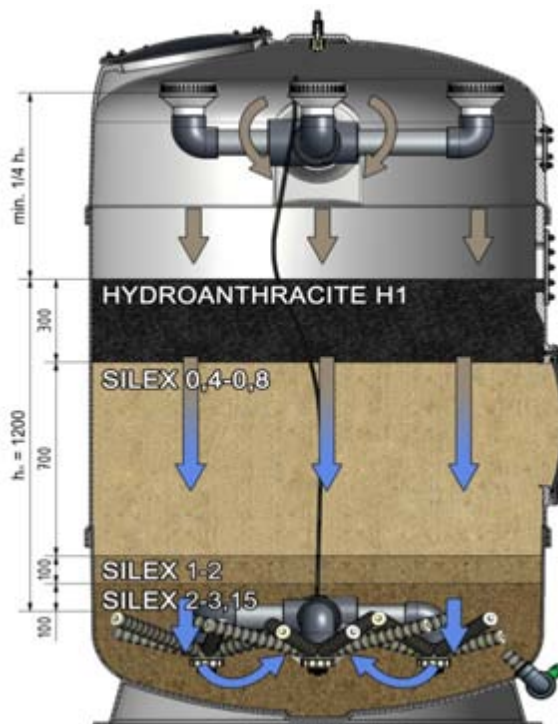
CODE KÓD KODE	TYPE TYP TYP	CAPACITY VYKON DURCHFLUSS	FILTRATION SPEED FILTRAČNÍ RYCHLOST FILTERGESCHWINDIGKEIT	FILTRATION AREA FILTRAČNÍ PLOCHA FILTERFLÄCHE	HEIGHT OF THE FILTRATION BED VÝŠKA FILTRAČNÍ VRSTVY FILTERBETTHÖHE	FILTER CHARGE FILTRAČNÍ NÁPLŇ SANDFÜLLUNG	WEIGHT HMOTNOST GEWICHT
120001	Ø610	9 m <sup>3</sup> /h	30 m <sup>3</sup> /h/m <sup>2</sup>	0,29 m <sup>2</sup>	1,2 m	550 kg	135 kg
120002	Ø765	14 m <sup>3</sup> /h	30 m <sup>3</sup> /h/m <sup>2</sup>	0,45 m <sup>2</sup>	1,2 m	675 kg	180 kg
120003	Ø910	20 m <sup>3</sup> /h	30 m <sup>3</sup> /h/m <sup>2</sup>	0,65 m <sup>2</sup>	1,2 m	1100 kg	240 kg
120004	Ø1080	28 m <sup>3</sup> /h	30 m <sup>3</sup> /h/m <sup>2</sup>	0,92 m <sup>2</sup>	1,2 m	1400 kg	290 kg
120005	Ø1250	37 m <sup>3</sup> /h	30 m <sup>3</sup> /h/m <sup>2</sup>	1,23 m <sup>2</sup>	1,2 m	1900 kg	385 kg
120006	Ø1500	53 m <sup>3</sup> /h	30 m <sup>3</sup> /h/m <sup>2</sup>	1,76 m <sup>2</sup>	1,2 m	2400 kg	515 kg
120042	Ø1800	76 m <sup>3</sup> /h	30 m <sup>3</sup> /h/m <sup>2</sup>	2,54 m <sup>2</sup>	1,2 m	3100 kg	700 kg
120043	Ø2000	94 m <sup>3</sup> /h	30 m <sup>3</sup> /h/m <sup>2</sup>	3,14 m <sup>2</sup>	1,2 m	4000 kg	880 kg

**DTS - TYPE OF FILTRATION BED**

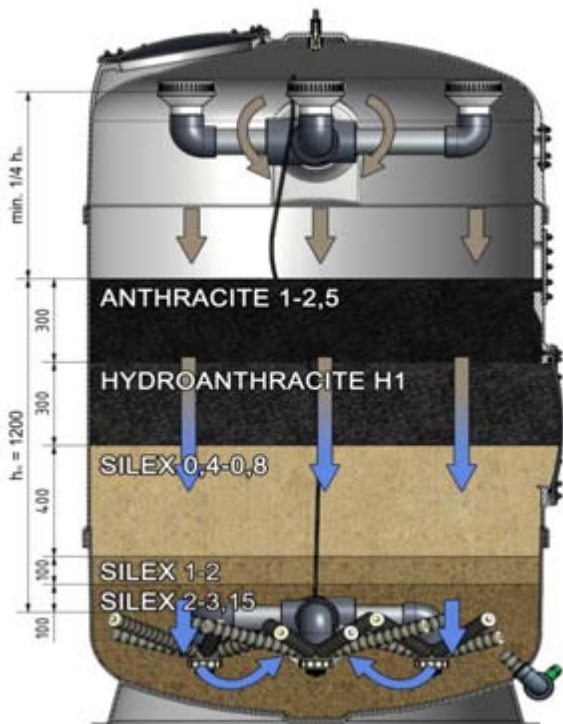
▼ **FILTRATION BED 10+10+100**



▼ **FILTRATION BED 10+10+70+30**



▼ **FILTRATION BED 10+10+40+30+30**



**FILTER CHARGES**

**Rabat Group**

**FILTRATION SAND**

Silica sand is dried, in bags of 25 kg, or .50 kg.

- 94206 **SILEX 0,4-0,8 mm (kg)** A
- 94205 **SILEX 1-2 mm (kg)** A
- 94209 **SILEX 2-3,15 mm (kg)** A

**ANTHRACITE**

It is intended for filtration and removal of residual ozone in water, packed in bags of 50 liters.

- 93895 **ANTHRACITE 1-2,5 mm (l)** A

**HYDROANTHRACITE**

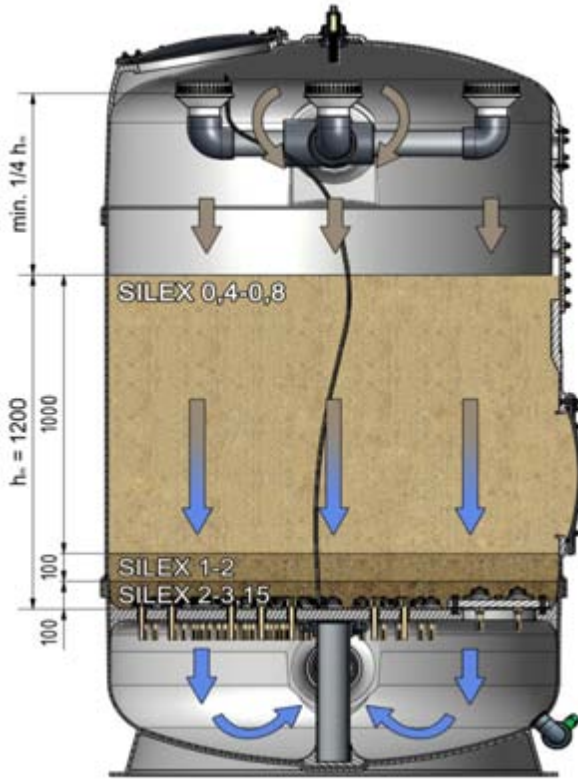
It is designed to support the effect of activated carbon to remove residual ozone in water, packed in bags of 50 liters.

- 93903 **HYDROANTHRACITE H1 (l)** A

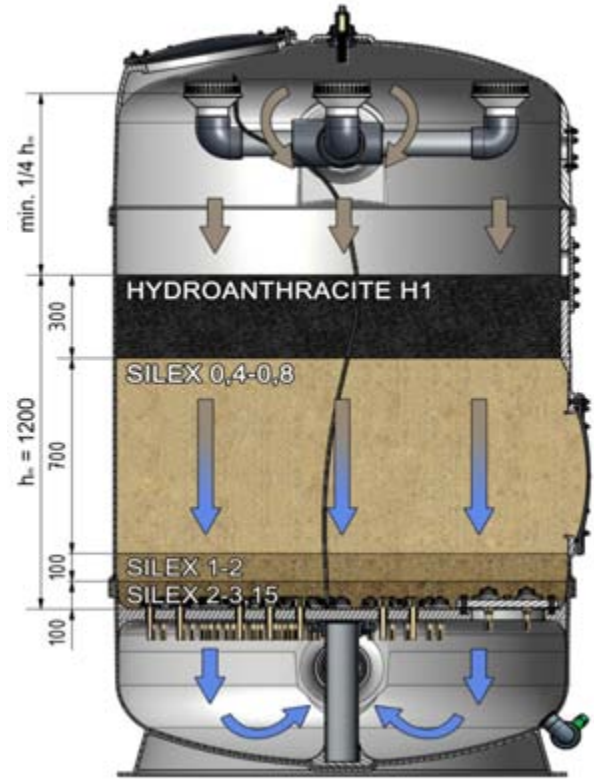


**DDS - TYPE OF FILTRATION BED**

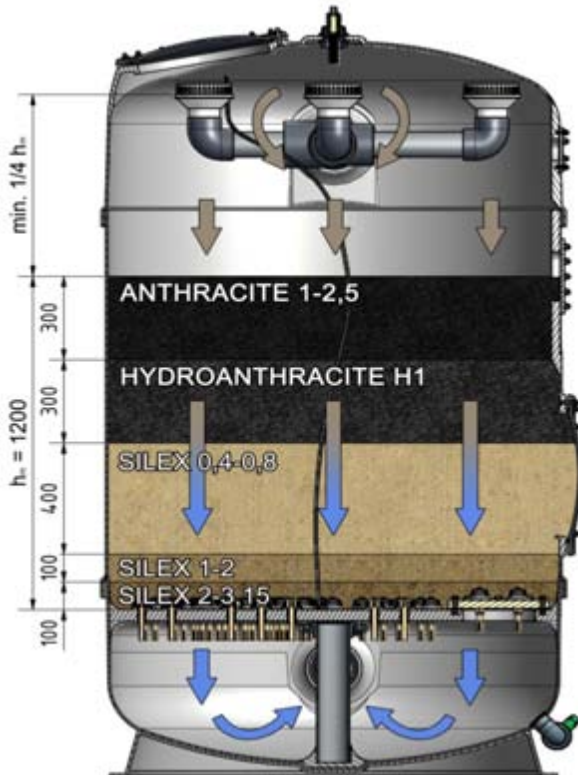
▼ **FILTRATION BED 10+10+100**



▼ **FILTRATION BED 10+10+70+30**



▼ **FILTRATION BED 10+10+40+30+30**



**FILTER CHARGES**

**Rabat Group**

**FILTRATION SAND**

Silica sand is dried, in bags of 25 kg, or .50 kg.

- 94206 **SILEX 0,4-0,8 mm (kg)** A
- 94205 **SILEX 1-2 mm (kg)** A
- 94209 **SILEX 2-3,15 mm (kg)** A

**ANTHRACITE**

It is intended for filtration and removal of residual ozone in water,packed in bags of 50 liters.

- 93895 **ANTHRACITE 1-2,5 mm (l)** A

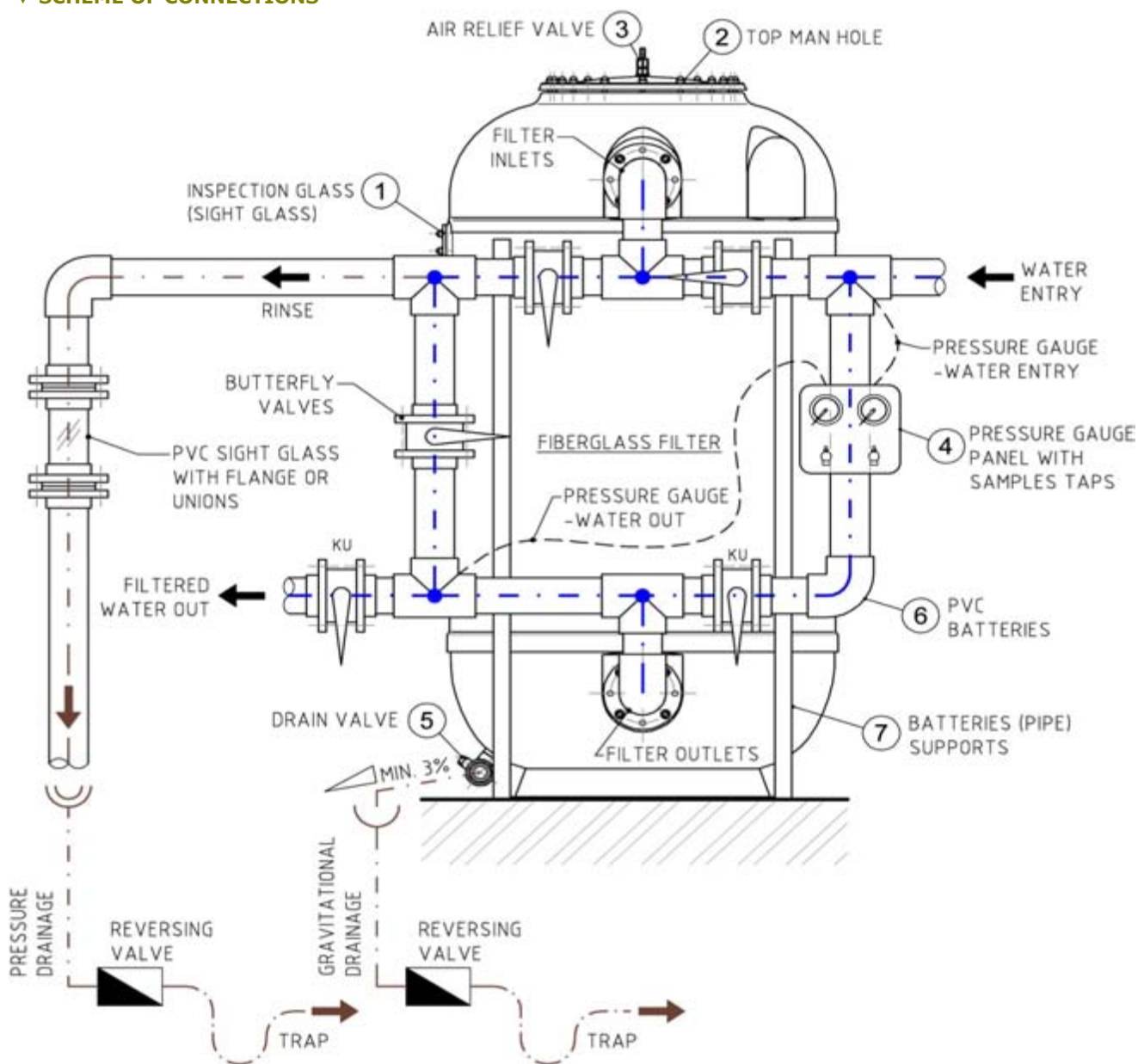
**HYDROANTHRACITE**

It is designed to support the effect of activated carbon to remove residual ozone in water, packed in bags of 50 liters.

- 93903 **HYDROANTHRACITE H1 (l)** A

### DDS & DTS FILTERS ACCESSORIES

#### ▼ SCHEME OF CONNECTIONS



#### 1 - SIGHT GLASS



180001 ◀ **Oval 140,5 x 270mm**

180102 ▶ **Round Ø90mm**  
 Diameter hole: Ø83mm(3¼")  
 Diameter sight glass: Ø160mm



**Rabat Group**

A

A

**2 - MAN HOLE**

- 440199 ◀ **Ø 500**  
 440200 **Ø 500 with hole Ø21mm**  
 440201 ◀ **Ø 500 with reduction G1½"**
- 440202 ▶ **Ø 300**  
 440106 ▶ **Ø 300 threaded hole G¼"**  
 440203 **Ø 300 threaded hole G1½"**

**Rabat Group**A  
A  
A  
A  
A  
A**3 - AIR RELIEF VALVE**

- 440001 ◀ **Air relief valve G¼" with connection for manometer**  
 ( for Ursa Maior, Ursa Minor with arm collectors,  
 DTS from Ø610 to Ø910 )



- 440066 **Air relief valve 1/2" for hole Ø21mm ▶**  
 ( for DTS from Ø1080 to Ø1250 )



- 440064 **Air relief valve 1/2" for hole Ø21mm long**  
 ( for DTS from Ø1500 to Ø2000 )

- 440065 ◀ **Automatic air relief valve 1½" (connect out G½")**  
 ( for filters Ursa Maior and Ursa Minor with nozzle plate  
 and DDS )

**Rabat Group**A  
A  
A  
A**4 - MANOMETER**

- 190004 ◀ **Manometer panel with test valves 0 - 4 bar**

- 440022 **Manometer 0 - 4 bar with thread G1/4 ▶**

**Rabat Group**A  
A**5 - DRAIN VALVE**

Stand-alone valve, complete set of on-demand



- 91010025 **Ball valve DN20** for DDS & DTS from Ø610 to Ø765  
 91010032 **Ball valve DN25** for DDS & DTS Ø910  
 91010040 **Ball valve DN32** for DDS & DTS Ø1080  
 91010050 **Ball valve DN40** for DDS & DTS from Ø1250 to Ø1500  
 91010063 **Ball valve DN50** for DDS & DTS from Ø1800 to Ø2000

**Rabat Group**A  
A  
A  
A  
A



### FLOWMETERS

#### CAPILLARY FLOWMETERS

These meters are used for immediate identification of the current flow in the pipeline.  
Easy installation, chemically resistant material. Be mounted on the flat part of the pipeline  
-about 10 times the duct diameter before and after you have installed flow.



	mm			Rabat Group
860001	<b>Ø 25</b>	Range measure:	20 - 150 l/min	A
860002	<b>Ø 40</b>	Range measure:	55 - 275 l/min	A
860003	<b>Ø 50</b>	Range measure:	75 - 375 l/min	A
860004	<b>Ø 63</b>	Range measure:	150 - 550 l/min	A
860005	<b>Ø 75</b>	Range measure:	250 - 900 l/min	A
860006	<b>Ø 90</b>	Range measure:	300 - 1125 l/min	A
860007	<b>Ø 110</b>	Range measure:	500 - 2000 l/min	A
860008	<b>Ø 160</b>	Range measure:	900 - 3900 l/min	A
860009	<b>Ø 200</b>	Range measure:	1800 - 7200 l/min	A

#### DIGITAL FLOWMETERS

These flowmeters except the immediate detection of flow allows for the listing of the total volume of water flow. They operate on the principle of a mechanical flow sensor in the pipeline.  
Can program, can connect alarm report.



				Rabat Group
860334	<b>1/2"</b>	Range measure:	11,6 - 46,2 l/min	A
860333	<b>3/4"</b>	Range measure:	26 - 104 l/min	A
860332	<b>1"-125</b>	Range measure:	46 - 185 l/min	A
860331	<b>1 1/2" - 50</b>	Range measure:	104 - 417 l/min	A
860330	<b>2" - d63</b>	Range measure:	174 - 497 l/min	A
860328	<b>3" - d90</b>	Range measure:	390 - 1559 l/min	A
860329	<b>4" - d110</b>	Range measure:	678 - 2713 l/min	A
860330	<b>6" - d140-160</b>	Range measure:	1538 - 6151 l/min	A
860331	<b>8" d200-225</b>	Range measure:	2695,2 - 10770 l/min	A



## BOBBIN WOUND FILTERS

Polyester + fiberglass bobbin wound filters, with man hole on the top, 1 m filtration

bed, arm collectors, air bleed valve, sand and water drain.

Filter pressure gauge. Inlet and outlet connections with lose flanges.

- Top manhole Ø 400 mm
- Arm collectors
- Air bleed
- Drain for water and sand
- Inlets and outlets with flanges

## BOBBIN WOUND SAND FILTERS

**Filtration bed 1,0 m**  
**Max. working pressure 2,5 bar**

**Filtration rate: 30 m<sup>3</sup>/h/m<sup>2</sup>**  
**ARM COLLECTOR**



110010 **Ø 1050** Flow: 25 m<sup>3</sup>/h

Filtr. rate: 30 m<sup>3</sup>/h/m<sup>2</sup> A

110011 **Ø 1200** Flow: 33 m<sup>3</sup>/h

Filtr. rate: 30 m<sup>3</sup>/h/m<sup>2</sup> A

110012 **Ø 1400** Flow: 46 m<sup>3</sup>/h

Filtr. rate: 30 m<sup>3</sup>/h/m<sup>2</sup> A

110013 **Ø 1600** Flow: 60 m<sup>3</sup>/h

Filtr. rate: 30 m<sup>3</sup>/h/m<sup>2</sup> A

110014 **Ø 1800** Flow: 76 m<sup>3</sup>/h

Filtr. rate: 30 m<sup>3</sup>/h/m<sup>2</sup> A



110015 **Ø 2000** Flow: 94 m<sup>3</sup>/h

Filtr. rate: 30 m<sup>3</sup>/h/m<sup>2</sup> A

110016 **Ø 2350** Flow: 130 m<sup>3</sup>/h

Filtr. rate: 30 m<sup>3</sup>/h/m<sup>2</sup> A

110017 **Ø 2500** Flow: 150 m<sup>3</sup>/h

Filtr. rate: 30 m<sup>3</sup>/h/m<sup>2</sup> A

110018 **Ø 3000** Flow: 212 m<sup>3</sup>/h

Filtr. rate: 30 m<sup>3</sup>/h/m<sup>2</sup> A



**Rabat**  
**Group**

CODE KÓD KODE	TYPE TYP TYP	CAPACITY VÝKON DURCHFLOß	FLANGE PŘÍRUBA FLANSCH	FILTRATION AREA FILTRACNÍ PLOCHA FILTERFLÄCHE	VOLUME OBJEM VOLUMEN	FILTER CHARGE FILTRACNÍ NAPLNĚNÍ SANDFÜLLUNG	WEIGHT HMOTNOST GEWICHT
110010	Ø1050	25 m <sup>3</sup> /h	DN65 (d75)	0,86 m <sup>2</sup>	1,986 m <sup>3</sup>	1355 kg	130 kg
110011	Ø1200	33 m <sup>3</sup> /h	DN65 (d75)	1,13 m <sup>2</sup>	2,592 m <sup>3</sup>	1760 kg	159 kg
110012	Ø1400	46 m <sup>3</sup> /h	DN80 (d90)	1,54 m <sup>2</sup>	3,528 m <sup>3</sup>	2310 kg	183 kg
110013	Ø1600	60 m <sup>3</sup> /h	DN100 (d110)	2,01 m <sup>2</sup>	4,864 m <sup>3</sup>	3250 kg	245 kg
110014	Ø1800	76 m <sup>3</sup> /h	DN100 (d110)	2,54 m <sup>2</sup>	5,896 m <sup>3</sup>	4315 kg	280 kg
110015	Ø2000	94 m <sup>3</sup> /h	DN110 (d125)	3,14 m <sup>2</sup>	8,000 m <sup>3</sup>	5565 kg	310 kg
110016	Ø2350	130 m <sup>3</sup> /h	DN125 (d140)	4,33 m <sup>2</sup>	13,033 m <sup>3</sup>	7790 kg	540 kg
110017	Ø2500	150 m <sup>3</sup> /h	DN150 (d160)	4,90 m <sup>2</sup>	15,312 m <sup>3</sup>	8370 kg	- kg
110018	Ø3000	212 m <sup>3</sup> /h	DN175 (d200)	7,07 m <sup>2</sup>	22,500 m <sup>3</sup>	12935 kg	- kg

### BOBBIN WOUND SAND FILTERS

**Filtration bed 1,0 m**  
**Max. working pressure 2,5 bar**

**Filtration rate: 40 m<sup>3</sup>/h/m<sup>2</sup>**  
**ARM COLLECTOR**

- Top manhole Ø 400 mm
- Arm collectors
- Air bleed
- Drain for water and sand
- Inlets and outlets with flanges

#### Rabat Group

110019	Ø 1050	Flow: 34 m <sup>3</sup> /h	Filtr. rate: 40 m <sup>3</sup> /h/m <sup>2</sup>	A
110020	Ø 1200	Flow: 45 m <sup>3</sup> /h	Filtr. rate: 40 m <sup>3</sup> /h/m <sup>2</sup>	A
110021	Ø 1400	Flow: 61 m <sup>3</sup> /h	Filtr. rate: 40 m <sup>3</sup> /h/m <sup>2</sup>	A
110022	Ø 1600	Flow: 80 m <sup>3</sup> /h	Filtr. rate: 40 m <sup>3</sup> /h/m <sup>2</sup>	A
110023	Ø 1800	Flow: 101 m <sup>3</sup> /h	Filtr. rate: 40 m <sup>3</sup> /h/m <sup>2</sup>	A
110024	Ø 2000	Flow: 125 m <sup>3</sup> /h	Filtr. rate: 40 m <sup>3</sup> /h/m <sup>2</sup>	A
110025	Ø 2350	Flow: 175 m <sup>3</sup> /h	Filtr. rate: 40 m <sup>3</sup> /h/m <sup>2</sup>	A
110026	Ø 2500	Flow: 200 m <sup>3</sup> /h	Filtr. rate: 40 m <sup>3</sup> /h/m <sup>2</sup>	A
110027	Ø 3000	Flow: 282 m <sup>3</sup> /h	Filtr. rate: 40 m <sup>3</sup> /h/m <sup>2</sup>	A



CODE KÓD KODE	TYPE TYP TYP	CAPACITY VÝKON DURCHFLOß	FLANGE PŘÍRUBA FLANSCH	FILTRATION AREA FILTRAČNÍ PLOCHA FILTERFLÄCHE	VOLUME OBJEM VOLUMEN	FILTER CHARGE FILTRAČNÍ NÁPLŇ SANDFÜLLUNG	WEIGHT HMOTNOST GEWICHT
110019	Ø1050	34 m <sup>3</sup> /h	DN65 (d75)	0,86 m <sup>2</sup>	1,986 m <sup>3</sup>	1355 kg	130 kg
110020	Ø1200	45 m <sup>3</sup> /h	DN80 (d90)	1,13 m <sup>2</sup>	2,592 m <sup>3</sup>	1760 kg	160 kg
110021	Ø1400	61 m <sup>3</sup> /h	DN100 (d110)	1,54 m <sup>2</sup>	3,528 m <sup>3</sup>	2310 kg	188 kg
110022	Ø1600	80 m <sup>3</sup> /h	DN100 (d110)	2,01 m <sup>2</sup>	4,864 m <sup>3</sup>	3250 kg	245 kg
110023	Ø1800	101 m <sup>3</sup> /h	DN110 (d125)	2,54 m <sup>2</sup>	5,896 m <sup>3</sup>	4315 kg	285 kg
110024	Ø2000	125 m <sup>3</sup> /h	DN125 (d140)	3,14 m <sup>2</sup>	8,000 m <sup>3</sup>	5565 kg	320 kg
110025	Ø2350	175 m <sup>3</sup> /h	DN150 (d160)	4,33 m <sup>2</sup>	13,033 m <sup>3</sup>	7790 kg	550 kg
110026	Ø2500	200 m <sup>3</sup> /h	DN175 (d200)	4,90 m <sup>2</sup>	15,312 m <sup>3</sup>	8370 kg	- kg
110027	Ø3000	282 m <sup>3</sup> /h	DN200 (d225)	7,07 m <sup>2</sup>	22,500 m <sup>3</sup>	12935 kg	- kg



**BOBBIN WOUND SAND FILTERS**

**Filtration bed 1,0 m**  
**Max. working pressure 2,5 bar**

**Filtration rate: 50 m<sup>3</sup>/h/m<sup>2</sup>**  
**ARM COLLECTOR**

- Top manhole Ø 400 mm
- Arm collectors
- Air bleed
- Drain for water and sand
- Inlets and outlets with flanges

**Rabat  
Group**

110028	Ø 1050	Flow: 43 m <sup>3</sup> /h	Filtr. rate: 50 m <sup>3</sup> /h/m <sup>2</sup>	A
110029	Ø 1200	Flow: 56 m <sup>3</sup> /h	Filtr. rate: 50 m <sup>3</sup> /h/m <sup>2</sup>	A
110030	Ø 1400	Flow: 77 m <sup>3</sup> /h	Filtr. rate: 50 m <sup>3</sup> /h/m <sup>2</sup>	A
110031	Ø 1600	Flow: 100 m <sup>3</sup> /h	Filtr. rate: 50 m <sup>3</sup> /h/m <sup>2</sup>	A
110032	Ø 1800	Flow: 125 m <sup>3</sup> /h	Filtr. rate: 50 m <sup>3</sup> /h/m <sup>2</sup>	A
110033	Ø 2000	Flow: 157 m <sup>3</sup> /h	Filtr. rate: 50 m <sup>3</sup> /h/m <sup>2</sup>	A
110034	Ø 2350	Flow: 217 m <sup>3</sup> /h	Filtr. rate: 50 m <sup>3</sup> /h/m <sup>2</sup>	A
110035	Ø 2500	Flow: 250 m <sup>3</sup> /h	Filtr. rate: 50 m <sup>3</sup> /h/m <sup>2</sup>	A
110036	Ø 3000	Flow: 353 m <sup>3</sup> /h	Filtr. rate: 50 m <sup>3</sup> /h/m <sup>2</sup>	A



CODE KÓD KODE	TYPE TYP TYP	CAPACITY VÝKON DURCHFLOß	FLANGE PŘÍRUBA FLANSCH	FILTRATION AREA FILTRAČNÍ PLOCHA FILTERFLÄCHE	VOLUME OBJEM VOLUMEN	FILTER CHARGE FILTRAČNÍ NÁPLŇ SANDFÜLLUNG	WEIGHT HMOTNOST GEWICHT
110028	Ø1050	43 m <sup>3</sup> /h	DN80 (d90)	0,86 m <sup>2</sup>	1,986 m <sup>3</sup>	1355 kg	135 kg
110029	Ø1200	56 m <sup>3</sup> /h	DN80 (d90)	1,13 m <sup>2</sup>	2,592 m <sup>3</sup>	1760 kg	160 kg
110030	Ø1400	77 m <sup>3</sup> /h	DN100 (d110)	1,54 m <sup>2</sup>	3,528 m <sup>3</sup>	2310 kg	188 kg
110031	Ø1600	100 m <sup>3</sup> /h	DN110 (d125)	2,01 m <sup>2</sup>	4,864 m <sup>3</sup>	3250 kg	250 kg
110032	Ø1800	125 m <sup>3</sup> /h	DN125 (d140)	2,54 m <sup>2</sup>	5,896 m <sup>3</sup>	4315 kg	290 kg
110033	Ø2000	157 m <sup>3</sup> /h	DN150 (d160)	3,14 m <sup>2</sup>	8,000 m <sup>3</sup>	5565 kg	325 kg
110034	Ø2350	217 m <sup>3</sup> /h	DN175 (d200)	4,33 m <sup>2</sup>	13,033 m <sup>3</sup>	7790 kg	555 kg
110035	Ø2500	250 m <sup>3</sup> /h	DN200 (d225)	4,90 m <sup>2</sup>	15,312 m <sup>3</sup>	8370 kg	- kg
110036	Ø3000	353 m <sup>3</sup> /h	DN225 (d250)	7,07 m <sup>2</sup>	22,500 m <sup>3</sup>	12935 kg	- kg

### HIGH PERFORMANCE SAND-HYDRO ANTHRACITE BOBBIN WOUND POLYESTER FILTERS

**Filtration bed 1,2 m**  
**Max. working pressure 2,5 bar**

**Filtration rate: 30 m<sup>3</sup>/h/m<sup>2</sup>**  
**ARM COLLECTOR**

- Top manhole Ø 400 mm
- Arm collectors
- Air bleed
- Drain for water, sand and anthracite
- Inlets and outlets with flanges

**Rabat  
Group**

110073	Ø 1050	Flow: 25 m <sup>3</sup> /h	Filtr. rate: 30 m <sup>3</sup> /h/m <sup>2</sup>	A
110075	Ø 1200	Flow: 33 m <sup>3</sup> /h	Filtr. rate: 30 m <sup>3</sup> /h/m <sup>2</sup>	A
110077	Ø 1400	Flow: 46 m <sup>3</sup> /h	Filtr. rate: 30 m <sup>3</sup> /h/m <sup>2</sup>	A
110079	Ø 1600	Flow: 60 m <sup>3</sup> /h	Filtr. rate: 30 m <sup>3</sup> /h/m <sup>2</sup>	A
110081	Ø 1800	Flow: 76 m <sup>3</sup> /h	Filtr. rate: 30 m <sup>3</sup> /h/m <sup>2</sup>	A
110083	Ø 2000	Flow: 94 m <sup>3</sup> /h	Filtr. rate: 30 m <sup>3</sup> /h/m <sup>2</sup>	A
110085	Ø 2350	Flow: 130 m <sup>3</sup> /h	Filtr. rate: 30 m <sup>3</sup> /h/m <sup>2</sup>	A
110087	Ø 2500	Flow: 150 m <sup>3</sup> /h	Filtr. rate: 30 m <sup>3</sup> /h/m <sup>2</sup>	A
110089	Ø 3000	Flow: 212 m <sup>3</sup> /h	Filtr. rate: 30 m <sup>3</sup> /h/m <sup>2</sup>	A



CODE KÓD KODE	TYPE TYP TYP	CAPACITY VÝKON DURCHFLOSS	FLANGE PŘÍRUBA FLANSCH	FILTRATION AREA FILTRAČNÍ PLOCHA FILTERFLÄCHE	VOLUME OBJEM VOLUMEN	FILTER CHARGE FILTRAČNÍ NÁPLŇ SANDFÜLLUNG	WEIGHT HMOTNOST GEWICHT
110073	Ø1050	25 m <sup>3</sup> /h	DN65 (d75)	0,86 m <sup>2</sup>	2,282 m <sup>3</sup>	1613 kg	210 kg
110075	Ø1200	33 m <sup>3</sup> /h	DN65 (d75)	1,13 m <sup>2</sup>	2,995 m <sup>3</sup>	2100 kg	237 kg
110077	Ø1400	46 m <sup>3</sup> /h	DN80 (d90)	1,54 m <sup>2</sup>	4,253 m <sup>3</sup>	2796 kg	301 kg
110079	Ø1600	60 m <sup>3</sup> /h	DN100 (d110)	2,01 m <sup>2</sup>	5,913 m <sup>3</sup>	3853 kg	365 kg
110081	Ø1800	76 m <sup>3</sup> /h	DN110 (d125)	2,54 m <sup>2</sup>	7,516 m <sup>3</sup>	5079 kg	421 kg
110083	Ø2000	94 m <sup>3</sup> /h	DN110 (d125)	3,14 m <sup>2</sup>	9,680 m <sup>3</sup>	6517 kg	488 kg
110085	Ø2350	130 m <sup>3</sup> /h	DN125 (d140)	4,33 m <sup>2</sup>	13,916 m <sup>3</sup>	9108 kg	655 kg
110087	Ø2500	150 m <sup>3</sup> /h	DN150 (d160)	4,90 m <sup>2</sup>	15,625 m <sup>3</sup>	9899 kg	- kg
110089	Ø3000	212 m <sup>3</sup> /h	DN175 (d200)	7,07 m <sup>2</sup>	23,850 m <sup>3</sup>	15145 kg	- kg

## HIGH PERFORMANCE SAND-HYDRO ANTHRACITE BOBBIN WOUND POLYESTER FILTERS

**Filtration bed 1,2 m**  
**Max. working pressure 2,5 bar**

**Filtration rate: 50 m<sup>3</sup>/h/m<sup>2</sup>**  
**ARM COLLECTOR**

- Top manhole Ø 400 mm
- Arm collectors
- Air bleed
- Drain for water, sand and anthracite
- Inlets and outlets with flanges

### Rabat

110074	<b>Ø 1050</b>	Flow: 43 m <sup>3</sup> /h	Filtr. rate: 50 m <sup>3</sup> /h/m <sup>2</sup>	A
110076	<b>Ø 1200</b>	Flow: 56 m <sup>3</sup> /h	Filtr. rate: 50 m <sup>3</sup> /h/m <sup>2</sup>	A
110078	<b>Ø 1400</b>	Flow: 77 m <sup>3</sup> /h	Filtr. rate: 50 m <sup>3</sup> /h/m <sup>2</sup>	A
110080	<b>Ø 1600</b>	Flow: 100 m <sup>3</sup> /h	Filtr. rate: 50 m <sup>3</sup> /h/m <sup>2</sup>	A
110082	<b>Ø 1800</b>	Flow: 125 m <sup>3</sup> /h	Filtr. rate: 50 m <sup>3</sup> /h/m <sup>2</sup>	A
110084	<b>Ø 2000</b>	Flow: 157 m <sup>3</sup> /h	Filtr. rate: 50 m <sup>3</sup> /h/m <sup>2</sup>	A
110086	<b>Ø 2350</b>	Flow: 217 m <sup>3</sup> /h	Filtr. rate: 50 m <sup>3</sup> /h/m <sup>2</sup>	A
110088	<b>Ø 2500</b>	Flow: 250 m <sup>3</sup> /h	Filtr. rate: 50 m <sup>3</sup> /h/m <sup>2</sup>	A
110090	<b>Ø 3000</b>	Flow: 353 m <sup>3</sup> /h	Filtr. rate: 50 m <sup>3</sup> /h/m <sup>2</sup>	A



CODE KÓD KODE	TYPE TYP TYP	CAPACITY VÝKON DURCHFLOSS	FLANGE PŘÍRUBA FLANSCH	FILTRATION AREA FILTRAČNÍ PLOCHA FILTERFLÄCHE	VOLUME OBJEM VOLUMEN	FILTER CHARGE FILTRAČNÍ NÁPLŇ SANDFÜLLUNG	WEIGHT HMOTNOST GEWICHT
110074	Ø1050	43 m <sup>3</sup> /h	DN80 (d90)	0,86 m <sup>2</sup>	2,282 m <sup>3</sup>	1613 kg	215 kg
110076	Ø1200	56 m <sup>3</sup> /h	DN80 (d90)	1,13 m <sup>2</sup>	2,995 m <sup>3</sup>	2100 kg	243 kg
110078	Ø1400	77 m <sup>3</sup> /h	DN100 (d110)	1,54 m <sup>2</sup>	4,253 m <sup>3</sup>	2796 kg	307 kg
110080	Ø1600	100 m <sup>3</sup> /h	DN110 (d125)	2,01 m <sup>2</sup>	5,913 m <sup>3</sup>	3853 kg	370 kg
110082	Ø1800	125 m <sup>3</sup> /h	DN125 (d140)	2,54 m <sup>2</sup>	7,516 m <sup>3</sup>	5079 kg	427 kg
110084	Ø2000	157 m <sup>3</sup> /h	DN150 (d160)	3,14 m <sup>2</sup>	9,680 m <sup>3</sup>	6517 kg	495 kg
110086	Ø2350	217 m <sup>3</sup> /h	DN175 (d200)	4,33 m <sup>2</sup>	13,916 m <sup>3</sup>	9108 kg	670 kg
110088	Ø2500	250 m <sup>3</sup> /h	DN200 (d225)	4,90 m <sup>2</sup>	15,625 m <sup>3</sup>	9899 kg	- kg
110090	Ø3000	353 m <sup>3</sup> /h	DN225 (d250)	7,07 m <sup>2</sup>	23,850 m <sup>3</sup>	15145 kg	- kg



### HIGH PERFORMANCE SAND-HYDRO ANTHRACITE BOBBIN WOUND POLYESTER FILTERS

**Filtration bed 1,2 m**  
**Max. working pressure 2,5 bar**

**Filtration rate: 30 m<sup>3</sup>/h/m<sup>2</sup>**  
**NOZZLE PLATE**

- Top manhole Ø 400 mm
- Nozzle plate
- Air bleed
- Drain for water, sand and anthracite
- Inlets and outlets with flanges



				<b>Rabat Group</b>
110091	<b>Ø 1050</b>	Flow: 25 m <sup>3</sup> /h	Filtr. rate: 30 m <sup>3</sup> /h/m <sup>2</sup>	A
110093	<b>Ø 1200</b>	Flow: 33 m <sup>3</sup> /h	Filtr. rate: 30 m <sup>3</sup> /h/m <sup>2</sup>	A
110095	<b>Ø 1400</b>	Flow: 46 m <sup>3</sup> /h	Filtr. rate: 30 m <sup>3</sup> /h/m <sup>2</sup>	A
110097	<b>Ø 1600</b>	Flow: 60 m <sup>3</sup> /h	Filtr. rate: 30 m <sup>3</sup> /h/m <sup>2</sup>	A
110099	<b>Ø 1800</b>	Flow: 76 m <sup>3</sup> /h	Filtr. rate: 30 m <sup>3</sup> /h/m <sup>2</sup>	A
110101	<b>Ø 2000</b>	Flow: 94 m <sup>3</sup> /h	Filtr. rate: 30 m <sup>3</sup> /h/m <sup>2</sup>	A
110103	<b>Ø 2350</b>	Flow: 130 m <sup>3</sup> /h	Filtr. rate: 30 m <sup>3</sup> /h/m <sup>2</sup>	A
110105	<b>Ø 2500</b>	Flow: 150 m <sup>3</sup> /h	Filtr. rate: 30 m <sup>3</sup> /h/m <sup>2</sup>	A
110107	<b>Ø 3000</b>	Flow: 212 m <sup>3</sup> /h	Filtr. rate: 30 m <sup>3</sup> /h/m <sup>2</sup>	A



CODE KÓD KODE	TYPE TYP TYP	CAPACITY VÝKON DURCHFLOSS	FLANGE PŘÍRUBA FLANSCH	FILTRATION AREA FILTRAČNÍ PLOCHA FILTERFLÄCHE	VOLUME OBJEM VOLUMEN	FILTER CHARGE FILTRAČNÍ NAPLNĚNÍ SANDFÜLLUNG	WEIGHT HMOTNOST GEWICHT
110091	Ø1050	25 m <sup>3</sup> /h	DN65 (d75)	0,86 m <sup>2</sup>	2,282 m <sup>3</sup>	1613 kg	241 kg
110093	Ø1200	33 m <sup>3</sup> /h	DN65 (d75)	1,13 m <sup>2</sup>	2,995 m <sup>3</sup>	2100 kg	278 kg
110095	Ø1400	46 m <sup>3</sup> /h	DN80 (d90)	1,54 m <sup>2</sup>	4,253 m <sup>3</sup>	2796 kg	357 kg
110097	Ø1600	60 m <sup>3</sup> /h	DN100 (d110)	2,01 m <sup>2</sup>	5,913 m <sup>3</sup>	3853 kg	438 kg
110099	Ø1800	76 m <sup>3</sup> /h	DN110 (d125)	2,54 m <sup>2</sup>	7,516 m <sup>3</sup>	5079 kg	514 kg
110101	Ø2000	94 m <sup>3</sup> /h	DN110 (d125)	3,14 m <sup>2</sup>	9,680 m <sup>3</sup>	6517 kg	603 kg
110103	Ø2350	130 m <sup>3</sup> /h	DN125 (d140)	4,33 m <sup>2</sup>	13,916 m <sup>3</sup>	9108 kg	814 kg
110105	Ø2500	150 m <sup>3</sup> /h	DN150 (d160)	4,90 m <sup>2</sup>	15,625 m <sup>3</sup>	9899 kg	- kg
110107	Ø3000	212 m <sup>3</sup> /h	DN175 (d200)	7,07 m <sup>2</sup>	23,850 m <sup>3</sup>	15145 kg	- kg

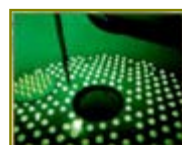
## HIGH PERFORMANCE SAND-HYDRO ANTHRACITE BOBBIN WOUND POLYESTER FILTERS

**Filtration bed 1,2 m**  
**Max. working pressure 2,5 bar**

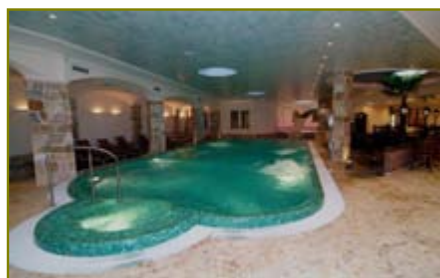
**Filtration rate: 50 m<sup>3</sup>/h/m<sup>2</sup>**  
**NOZZLE PLATE**

- Top manhole Ø 400 mm
- Arm collectors
- Air bleed
- Drain for water, sand and anthracite
- Inlets and outlets with flanges

### Rabat Group



Code	Type	Capacity	Filtration Area	Filtration Rate	Rabat Group
110092	Ø 1050	Flow: 43 m <sup>3</sup> /h	0,86 m <sup>2</sup>	Filtr. rate: 50 m <sup>3</sup> /h/m <sup>2</sup>	A
110094	Ø 1200	Flow: 56 m <sup>3</sup> /h	1,13 m <sup>2</sup>	Filtr. rate: 50 m <sup>3</sup> /h/m <sup>2</sup>	A
110096	Ø 1400	Flow: 77 m <sup>3</sup> /h	1,54 m <sup>2</sup>	Filtr. rate: 50 m <sup>3</sup> /h/m <sup>2</sup>	A
110098	Ø 1600	Flow: 100 m <sup>3</sup> /h	2,01 m <sup>2</sup>	Filtr. rate: 50 m <sup>3</sup> /h/m <sup>2</sup>	A
110100	Ø 1800	Flow: 125 m <sup>3</sup> /h	2,54 m <sup>2</sup>	Filtr. rate: 50 m <sup>3</sup> /h/m <sup>2</sup>	A
110102	Ø 2000	Flow: 157 m <sup>3</sup> /h	3,14 m <sup>2</sup>	Filtr. rate: 50 m <sup>3</sup> /h/m <sup>2</sup>	A
110104	Ø 2350	Flow: 217 m <sup>3</sup> /h	4,33 m <sup>2</sup>	Filtr. rate: 50 m <sup>3</sup> /h/m <sup>2</sup>	A
110106	Ø 2500	Flow: 250 m <sup>3</sup> /h	4,90 m <sup>2</sup>	Filtr. rate: 50 m <sup>3</sup> /h/m <sup>2</sup>	A
110108	Ø 3000	Flow: 353 m <sup>3</sup> /h	7,07 m <sup>2</sup>	Filtr. rate: 50 m <sup>3</sup> /h/m <sup>2</sup>	A

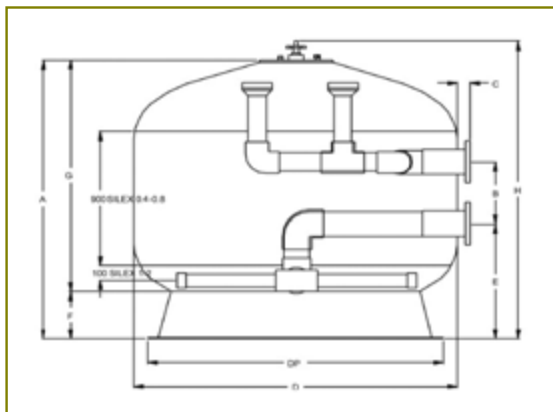


CODE KÓD KODE	TYPE TYP TYP	CAPACITY VÝKON DURCHFLOSS	FLANGE PŘÍRUBA FLANSCH	FILTRATION AREA FILTRAČNÍ PLOCHA FILTERFLÄCHE	VOLUME OBJEM VOLUMEN	FILTER CHARGE FILTRAČNÍ NÁPLŇ SANDFÜLLUNG	WEIGHT HMOTNOST GEWICHT
110092	Ø1050	43 m <sup>3</sup> /h	DN80 (d90)	0,86 m <sup>2</sup>	2,282 m <sup>3</sup>	1613 kg	246 kg
110094	Ø1200	56 m <sup>3</sup> /h	DN80 (d90)	1,13 m <sup>2</sup>	2,995 m <sup>3</sup>	2100 kg	284 kg
110096	Ø1400	77 m <sup>3</sup> /h	DN100 (d110)	1,54 m <sup>2</sup>	4,253 m <sup>3</sup>	2796 kg	363 kg
110098	Ø1600	100 m <sup>3</sup> /h	DN110 (d125)	2,01 m <sup>2</sup>	5,913 m <sup>3</sup>	3853 kg	443 kg
110100	Ø1800	125 m <sup>3</sup> /h	DN125 (d140)	2,54 m <sup>2</sup>	7,516 m <sup>3</sup>	5079 kg	520 kg
110102	Ø2000	157 m <sup>3</sup> /h	DN150 (d160)	3,14 m <sup>2</sup>	9,680 m <sup>3</sup>	6517 kg	610 kg
110104	Ø2350	217 m <sup>3</sup> /h	DN175 (d200)	4,33 m <sup>2</sup>	13,916 m <sup>3</sup>	9108 kg	1129 kg
110106	Ø2500	250 m <sup>3</sup> /h	DN200 (d225)	4,90 m <sup>2</sup>	15,625 m <sup>3</sup>	9899 kg	- kg
110108	Ø3000	353 m <sup>3</sup> /h	DN225 (d250)	7,07 m <sup>2</sup>	23,850 m <sup>3</sup>	15145 kg	- kg

### BOBBIN WOUND SAND FILTERS TECHNICAL SPECIFICATION

Filtration bed 1,0 m  
Max. working pressure 2,5 bar

ARM COLLECTOR



### SAND MEDIA

TYPE TYP TYP	FLANGE PŘÍRUBA FLANSCH	H [ mm ]	E [ mm ]	B [ mm ]	G [ mm ]	F [ mm ]	A [ mm ]	DP [ mm ]	C [ mm ]	SILEX 1-2 [ kg ]	SILEX 0,4-0,8 [ kg ]
Ø1050	75/90	1816	625	550	1442	238	1680	1015	75	175	875
Ø1200	75/90	1816	630	550	1432	238	1680	1015	75	200	1275
Ø1400	90/110	1816	630	550	1413	267	1680	1300	75	225	1725
Ø1600	110/125	1916	720	490	1469	311	1780	1500	75	475	2275
Ø1800	110/125/140	1956	750	440	1520	300	1820	1630	75	800	2875
Ø2000	125/140/160	2060	770	490	1560	320	1920	1850	75	1200	3525
Ø2350	140/160/200	2390	940	500	1860	380	2250	2100	75	1725	4875
Ø2500	160/200/225	2700	1080	550	2560	380	2611	2100	75-80	1600	5474
Ø3000	200/225/250	2870	1175	550	2375	450	2740	2600	75-80	3275	7925

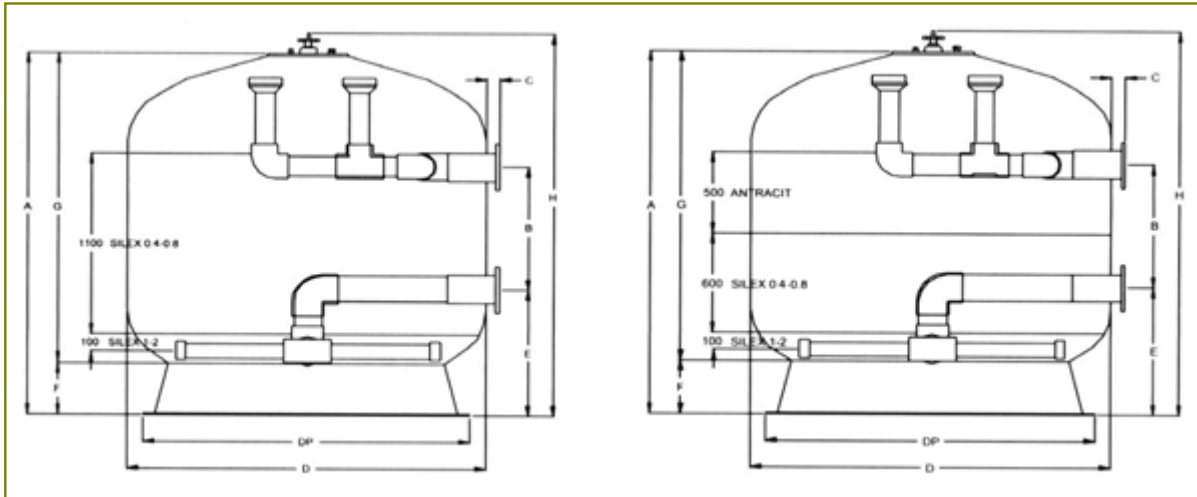




**HIGH PERFORMANCE BOBBIN WOUND SAND FILTERS  
TECHNICAL SPECIFICATION**

Filtration bed 1,2 m  
Max. working pressure 2,5 bar

**ARM COLLECTOR**



**SAND MEDIA**

TYPE TYP TYP	FLANGE PRÍRUBA FLANSCH	H [ mm ]	E [ mm ]	B [ mm ]	G [ mm ]	F [ mm ]	A [ mm ]	DP [ mm ]	C [ mm ]	SILEX 1-2 [ kg ]	SILEX 0,4-0,8 1,1 m [ kg ]
Ø1050	75/90	2265	675	820	1894	238	2132	1015	75	175	1200
Ø1200	75/110	2330	725	810	1907	248	2190	1090	75	200	1550
Ø1400	90/125	2330	735	815	1910	267	2190	1300	75	225	2125
Ø1600	110/125	2425	780	850	1961	311	2290	1500	75	475	2750
Ø1800	125/160	2445	810	820	1900	300	2310	1630	75	800	3500
Ø2000	125/160	2500	810	800	2030	320	2360	1850	75	1200	4325
Ø2350	140/200	2800	1020	650	2170	380	2670	2100	75	1725	5975
Ø2500	160/225	2700	980	600	2231	380	2560	2100	75-80	1600	6750
Ø3000	200/250	2870	1150	550	2375	450	2740	2600	75-80	3275	9675

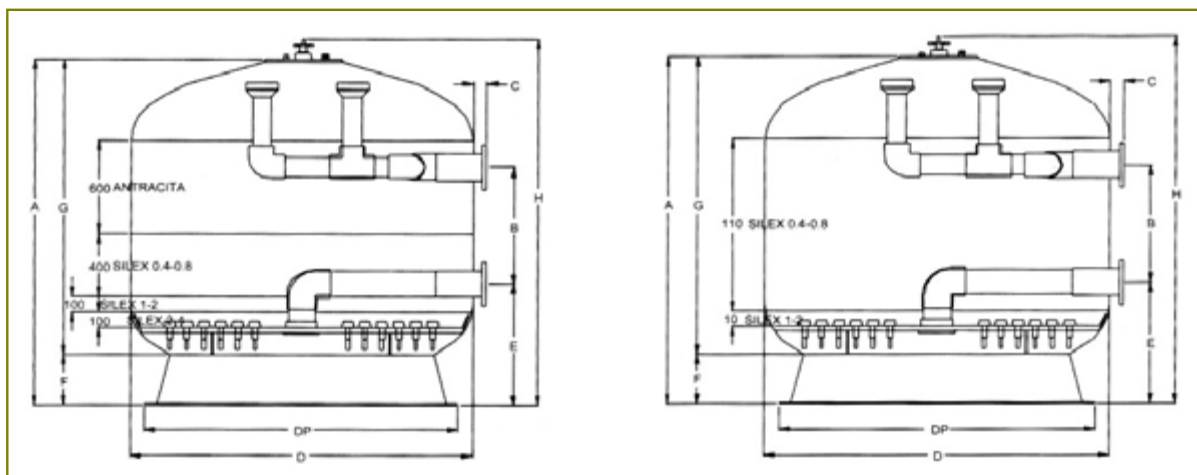
**SAND/ANTHRACITE MEDIA**

TYPE TYP TYP	FLANGE PRÍRUBA FLANSCH	H [ mm ]	E [ mm ]	B [ mm ]	G [ mm ]	F [ mm ]	A [ mm ]	DP [ mm ]	C [ mm ]	SILEX 1-2 [ kg ]	SILEX 0,4-0,8 [ kg ]	ANTHRACITE [ l ]
Ø1050	75/90	2265	675	820	1894	238	2132	1015	75	175	550	525
Ø1200	75/110	2330	725	810	1907	248	2190	1090	75	200	725	675
Ø1400	90/125	2330	735	815	1910	267	2190	1300	75	225	950	925
Ø1600	110/125	2425	780	850	1961	311	2290	1500	75	475	1250	1200
Ø1800	125/160	2445	810	820	1900	300	2310	1630	75	800	1600	1520
Ø2000	125/160	2500	810	800	2030	320	2360	1850	75	1200	1975	1875
Ø2350	140/200	2800	1020	650	2170	380	2670	2100	75	1725	2700	2600
Ø2500	160/225	2700	980	600	2231	380	2560	2100	75-80	1600	3075	2650
Ø3000	200/250	2870	1150	550	2375	450	2740	2600	75-80	3275	4400	4250

### HIGH PERFORMANCE BOBBIN WOUND SAND FILTERS TECHNICAL SPECIFICATION

Filtration bed 1,2 m  
Max. working pressure 2,5 bar

#### NOZZLE PLATE



#### SAND MEDIA

TYPE TYP TYP	FLANGE PRÍRUBA FLANSCH	H [ mm ]	E [ mm ]	B [ mm ]	G [ mm ]	F [ mm ]	A [ mm ]	DP [ mm ]	C [ mm ]	SILEX 1-2 [ kg ]	SILEX 0.4-0.8 1,1 m [ kg ]
Ø1050	75/90	2259	675	820	1894	238	2132	1015	75	175	1550
Ø1200	75/110	2282	725	810	1907	248	2155	1090	75	175	1550
Ø1400	90/125	2304	735	815	1910	267	2177	1300	75	250	2125
Ø1600	110/125	2399	780	850	1961	311	2272	1500	75	325	2775
Ø1800	125/160	2327	810	820	1900	300	2200	1630	75	400	3500
Ø2000	125/160	2476	810	800	2030	320	2350	1850	75	500	4325
Ø2350	140/200	2677	1020	650	2170	380	2550	2100	75	700	5975
Ø2500	160/225	2685	980	600	2231	380	2611	2100	75-80	800	6750
Ø3000	200/250	2840	1150	550	2316	450	2766	2600	75-80	1125	9675

#### SAND/ANTHRACITE MEDIA

TYPE TYP TYP	FLANGE PRÍRUBA FLANSCH	H [ mm ]	E [ mm ]	B [ mm ]	G [ mm ]	F [ mm ]	A [ mm ]	DP [ mm ]	C [ mm ]	SILEX 1-2 [ kg ]	SILEX 0.4-0.8 [ kg ]	ANTHRACITE [ l ]
Ø1050	75/90	2265	675	820	1894	238	2132	1015	75	150	550	525
Ø1200	75/110	2330	725	810	1907	248	2190	1090	75	175	725	675
Ø1400	90/125	2330	735	815	1910	267	2190	1300	75	250	975	925
Ø1600	110/125	2425	780	850	1961	311	2290	1500	75	325	1250	1200
Ø1800	125/160	2445	810	820	1900	300	2310	1630	75	400	1600	1525
Ø2000	125/160	2500	810	800	2030	320	2360	1850	75	500	1975	1875
Ø2350	140/200	2800	1020	650	2170	380	2670	2100	75	700	2725	2600
Ø2500	160/225	2700	980	600	2231	380	2560	2100	75-80	800	3050	2950
Ø3000	200/250	2870	1150	550	2375	450	2740	2600	75-80	1125	4425	4250

## BATTERIES BOBBIN WOUND SAND FILTERS

PVC batteries with butterfly valves, **complete mounted**, including pressure gauge panel, with test valves and support system (+110 Ø). By request we offer other configurations.

**Max. working pressure 2,5 bar**

### MANUAL BATTERIES

*5 valves for 1 filter*



	Connection	Volume	Weight	Rabat Group
190009	Ø 75	0,178 m3	35 kg	A
190010	Ø 90	0,210 m3	50 kg	A
190011	Ø 110	0,230 m3	65 kg	A
190012	Ø 125	0,290 m3	70 kg	A
190013	Ø 140	0,440 m3	90 kg	A
190014	Ø 160	0,560 m3	95 kg	A
190015	Ø 200	0,685 m3	135 kg	A
190016	Ø 225	0,800 m3	150 kg	A
190017	Ø 250	0,890 m3	165 kg	A

\* Price only battery

### AUTOMATIC BATTERIES - ELECTRIC

PVC batteries operated with electric actuated butterfly valves. In case of power failure the valves can be operated manually. Pressure gauge panel with test valves. Pipe supports system complete.

**Ready to install.**

*5 valves for 1 filter*



	Connection	Volume	Weight	Rabat Group
190027	Ø 75	0,175 m3	45 kg	A
190028	Ø 90	0,175 m3	50 kg	A
190029	Ø 110	0,190 m3	60 kg	A
190030	Ø 125	0,240 m3	75 kg	A
190031	Ø 140	0,300 m3	78 kg	A
190032	Ø 160	0,350 m3	84 kg	A
190033	Ø 200	0,410 m3	90 kg	A
190034	Ø 225	0,510 m3	-	A
190035	Ø 250	-	-	A

\* Price only battery



**AUTOMATIC BATTERIES - PNEUMATIC**

PVC batteries operated with electric actuated butterfly valves. In case of power failure the valves can be operated manually. Pressure gauge panel with test valves. Pipe supports system complete.  
**Ready to install.**

**5 valves for 1 filter**

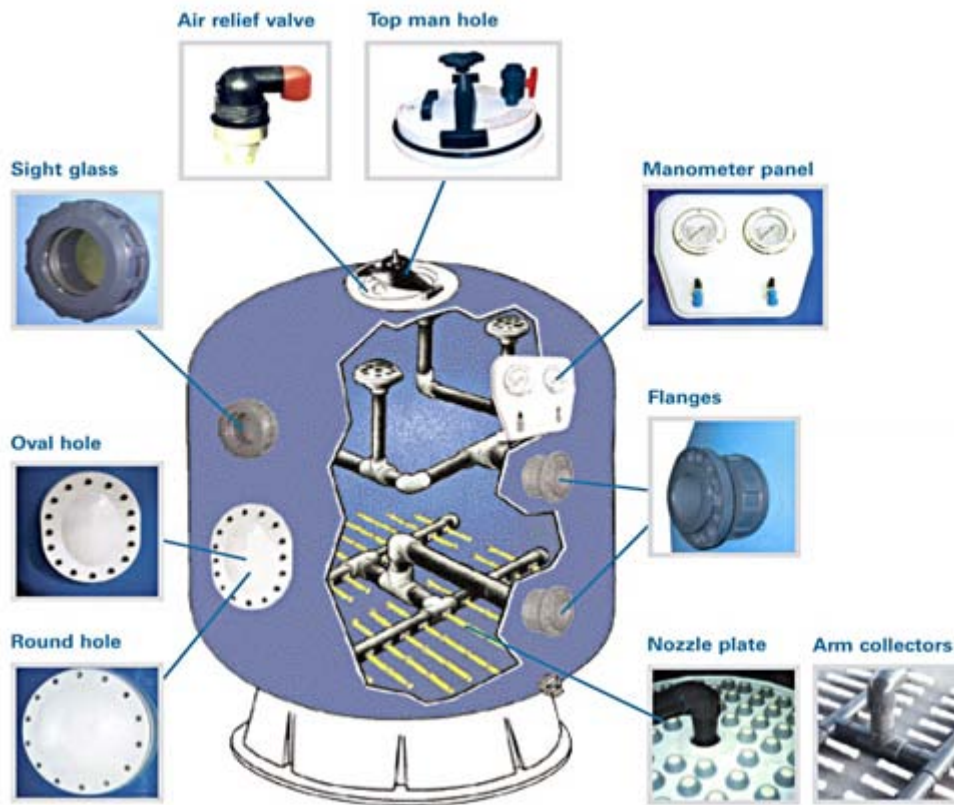


	Connection	Volume	Weight	Rabat Group
190036	Ø 75	0,170 m3/h	35 kg	A
190037	Ø 90	0,175 m3/h	50 kg	A
190038	Ø 110	0,190 m3/h	60 kg	A
190039	Ø 125	0,240 m3/h	75 kg	A
190040	Ø 140	0,300 m3/h	78 kg	A
190041	Ø 160	0,350 m3/h	84 kg	A
190042	Ø 200	0,410 m3/h	90 kg	A
190043	Ø 225	0,510 m3/h	115 kg	A
190044	Ø 250	-	-	A

\* Price only battery



**BOBBIN WOUND SAND FILTERS ACCESSORIES**



**OPTIONS FOR BOBBIN WOUND FILTERS**

190028	<b>Oval hole - 400x295mm ( 2,5 bar )</b>	
190002	<b>Round hole - Ø400mm ( 2,5 bar )</b>	<b>from 1400 mm</b>
190074	<b>Round hole - Ø500mm ( 2,5 bar )</b>	<b>from 2000 mm</b>
190001	<b>Sight glass Ø90mm from 1050 to 1400</b>	
190027	<b>Sight glass Ø125mm from 1600 to 2500</b>	
190029	<b>Air relief valve - 1"</b>	
190030	<b>Air relief valve - 2"</b>	
190004	<b>Manometer panel</b>	<b>0-4</b>
190005	<b>Manometer panel</b>	<b>0-10</b>

**Rabat Group**

- A
- A
- A
- A
- A
- A
- A
- A
- A

**Rabat Group**

**MICROPROCESSOR FOR AUTOMATIC BATTERIES**



190045	<b>For automatic batteries</b>	
190031	<b>For automatic batteries with computer connection</b>	

- A
- A

**COMPLETE PNEUMATIC VALVES BATTERY ASSEMBLY, INCLUDING THE AIR COMPRESSOR AND THE CONTROL BOX**



190046	<b>2,5 bar</b>	
--------	----------------	--

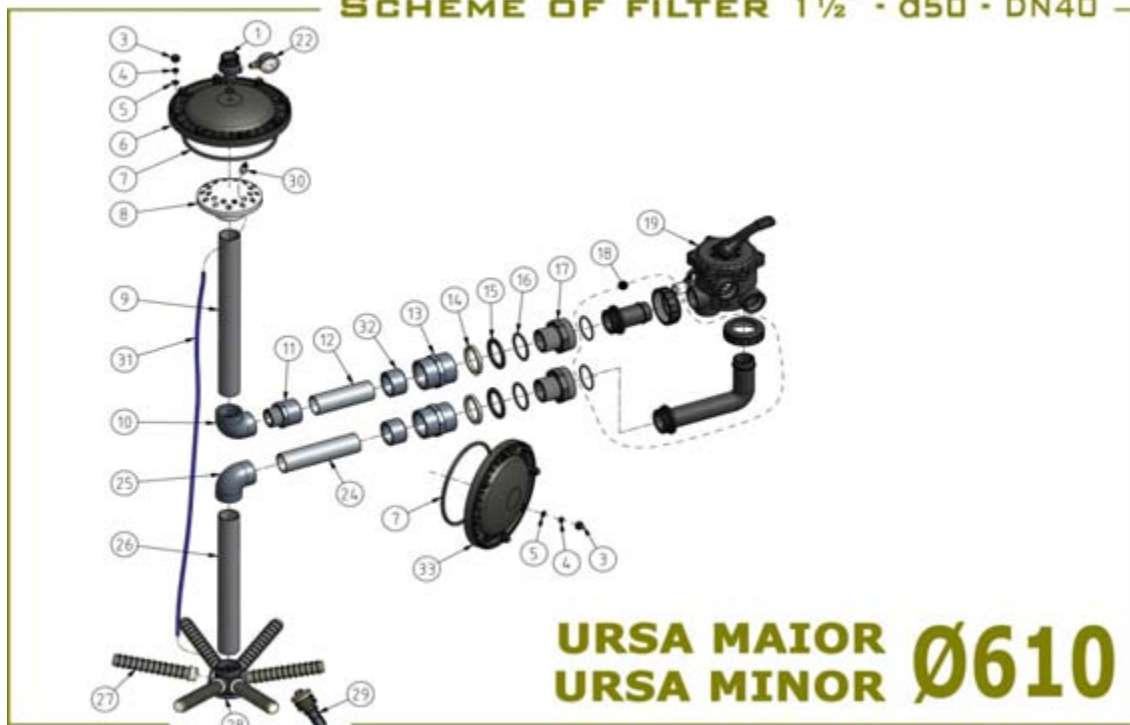
**Rabat Group**

- A

### LIST OF SPARE PARTS FOR LAMINATED FILTERS

#### Ursa Maior & Ursa Minor - with arm collectors

#### SCHEME OF FILTER 1 1/2" · d50 · DN40



POZ	PCS	NAME	CODE	BRUTO		RABATGROUP
				PRICE/1	PCS	
1	1	AIR RELIEF VALVE 1/4" + O-RING 18x2,65	440001	15,50 €	A	
3	16	CAP M8/s13	440003	0,35 €	A	
4	16	NUT M8 - DIN 934 A2	440004	0,19 €	A	
5	16	WASHER Ø8,4 - DIN 125 A2	440005	0,08 €	A	
6	1	INSPECTION LID d300 nr. 180003 WITH G1/4"	440106	34,10 €	A	
7	2	O-RING 205x8 NBR 70Sh	440107	5,56 €	A	
8	1	DIFUSSER d50 nr. 180098-50	440108	6,69 €	A	
9	1	PVC TUBE 50x2,4 PN10	440109	2,34 €	A	
10	1	ELBOW-MIX 90° - d50-1 1/2"	440010	4,25 €	A	
11	1	ADAPTOR SOCKET WITH EXT. THREAD d50-1 1/2"	440011	1,50 €	A	
12	1	PVC TUBE 50x2,4 PN10	440112	2,34 €	A	
13	2	ADAPTOR SOCKET WITH INT. THREAD d63-2"	440036	3,37 €	A	
14	2	CLAMPING RING 61,5x75,5x8	440037	1,02 €	A	
15	2	GASKET EPDM 80x59x5	440039	1,20 €	A	
16	2	O-RING 66,04x5,33 NBR 70Sh	440016	0,81 €	A	
17	2	WALL CUTOUT 2" nr. 180099	440138	6,36 €	A	
18	1	CONNECTIVE SET FOR 6-WV PRAHER SM10 - 1 1/2"	440118	22,80 €	A	
19	1	6-WAY VALVE PRAHER SM10	440119	59,60 €	A	
22	1	AIR GAUGE INFINITY MAX. 4bar	440022	10,60 €	A	
24	1	PVC TUBE 50x2,4 PN10	440124	2,34 €	A	
25	1	ELBOW 90° - d50	440025	1,93 €	A	
26	1	PVC TUBE 50x2,4 PN10	440126	2,34 €	A	
27	6	JET A4-0,25-185	440027-185	3,97 €	A	
28	1	SEPARATOR MSS6	440028	8,89 €	A	
29	1	DRAIN VALVE ED-0,2	440066	7,48 €	A	
30	1	SPRAY NOZZLE ES10-0,2-8	440130	1,77 €	A	
31	1	AIR TUBE PP 8/6	440050	1,40 €	A	
32	2	REDUCING SOCKET - SHORT d63-d50	440051	1,16 €	A	
33	1	INSPECTION LID d300 nr. 180003	440202	32,10 €	A	

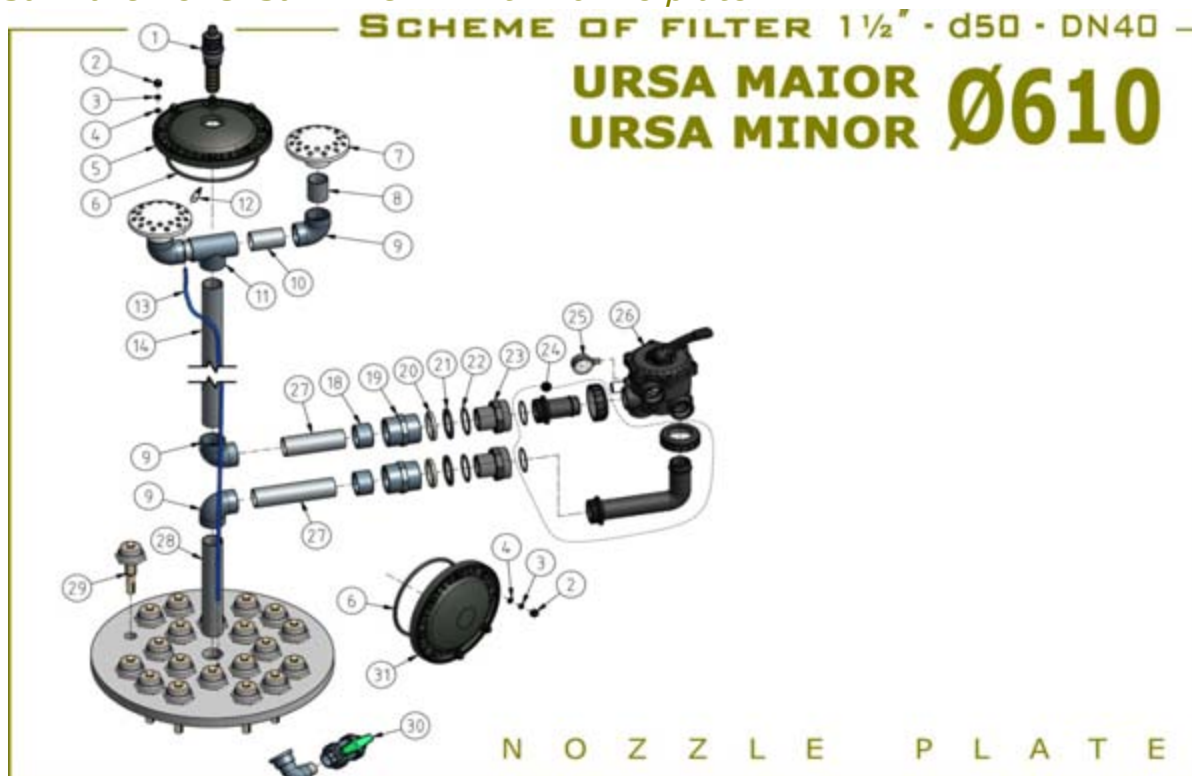




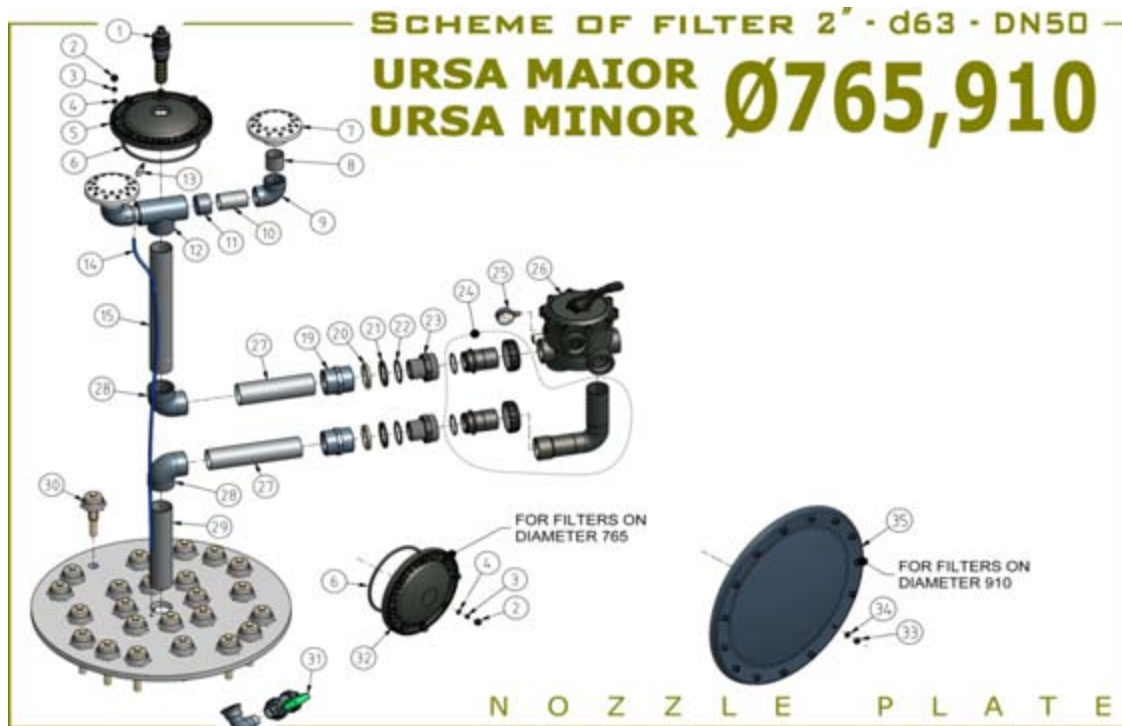
POZ	PCS	NAME	CODE	BRUTO PRICE /1 PCS	RABATGROUP
1	1	AIR RELIEF VALVE 1/4" + O-RING 18x2,65	440001	15,50 €	A
3	8(16*)	CAP M8/s13	440003	0,35 €	A
4	8(16*)	NUT M8 - DIN 934 A2	440004	0,19 €	A
5	8(16*)	WASHER Ø8,4 - DIN 125 A2	440005	0,08 €	A
6	1	INSPECTION LID d300 nr. 180003 WITH G1/4"	440106	34,10 €	A
7	2	O-RING 205x8 NBR 70Sh	440107	5,56 €	A
8	1	DIFUSSER d63/d75 nr. 180098-63/75	440131	6,88 €	A
9	1	PVC TUBE 63x2,4 PN10	440032	3,28 €	A
10	1	ELBOW-MIX 90° - d63-2"	440033	4,71 €	A
11	1	ADAPTOR SOCKET WITH EXT. THREAD d63-2"	440034	2,83 €	A
12	1	PVC TUBE 63x2,4 PN10	440035	3,28 €	A
13	2	ADAPTOR SOCKET WITH INT. THREAD d63-2"	440036	3,37 €	A
14	2	CLAMPING RING 61,5x75,5x8	440037	1,02 €	A
15	2	GASKET EPDM 80x59x5	440039	1,20 €	A
16	2	O-RING 66,04x5,33 NBR 70Sh	440016	0,81 €	A
17	2	WALL CUTOUT 2" nr. 180099	440138	6,36 €	A
18	1	CONNECTIVE SET FOR 6-WV PRAHER SM20	440219	30,55 €	A
19	1	6-WAY VALVE PRAHER SM20 - 2"	440141	92,40 €	A
22	1	AIR GAUGE INFINITY MAX. 4bar	440022	10,60 €	A
24	1	PVC TUBE 63x2,4 PN10	440042	3,28 €	A
25	1	ELBOW 90° - d63	440043	3,42 €	A
26	1	PVC TUBE 63x2,4 PN10	440044	3,28 €	A
27	8	JET A4-0,25-240 *	440045-240	6,08 €	A
		JET A4-0,25-312 **	440045-312	7,23 €	A
28	1	SEPARATOR MSS8	440046	17,86 €	A
29	1	DRAIN VALVE ED-0,2	440066	7,48 €	A
30	1	SPRAY NOZZLE ES10-0,2-8	440130	1,77 €	A
31	1	AIR TUBE PP 8/6	440050	1,40 €	A
33*	1	INSPECTION LID d300 nr. 180003 *	440202	32,10 €	A
34**	15	NUT M10 - DIN 934 A2 **	440067	0,41 €	A
35**	15	WASHER Ø10,5 - DIN 125 A2 **	440068	0,10 €	A
36**	15	INSPECTION LID d500 **	440199	306,0 €	A

\* FOR FILTERS Ø765; \*\* FOR FILTERS Ø910

### Ursa Maior & Ursa Minor - with nozzle plate



POZ	PCS	NAME	CODE	BRUTO PRICE /1 PCS	RABAT GROUP
1	1	AIR RELIEF VALVE "BEL" 1 1/4"	440065	90,95 €	A
2	16	CAP M8/s13	440003	0,35 €	A
3	16	NUT M8 - DIN 934 A2	440004	0,19 €	A
4	16	WASHER Ø8,4 - DIN 125 A2	440005	0,08 €	A
5	1	INSPECTION LID d300 nr. 180003 WITH G1 1/4"	440203	36,10 €	A
6	2	O-RING 205x8 NBR 70Sh	440107	5,56 €	A
7	2	DIFUSSER d50 nr. 180098-50	440108	6,69 €	A
8	2	PVC TUBE 50x2,4 PN10	440109	2,34 €	A
9	4	ELBOW 90° - d50	440025	1,93 €	A
10	2	PVC TUBE 50x2,4 PN10	440109	2,34 €	A
11	1	T 90° - d50	440069	2,82 €	A
12	1	SPRAY NOZZLE ES10-0,2-8	440130	1,77 €	A
13	1	AIR TUBE PP 8/6	440050	1,40 €	A
14	1	PVC TUBE 50x2,4 PN10	440109	2,34 €	A
18	2	REDUCING SOCKET - SHORT d63-d50	440051	1,16 €	A
19	2	ADAPTOR SOCKET WITH INT. THREAD d63-2"	440036	3,37 €	A
20	2	CLAMPING RING 61,5x75,5x8	440037	1,02 €	A
21	2	GASKET EPDM 80x59x5	440039	1,20 €	A
22	2	O-RING 66,04x5,33 NBR 70Sh	440016	0,81 €	A
23	2	WALL CUTOUT 2" nr. 180099	440138	6,36 €	A
24	1	CONNECTIVE SET FOR 6-WV PRAHER SM10 - 1 1/2"	440118	22,80 €	A
25	1	AIR GAUGE INFINITY MAX. 4bar	440022	10,60 €	A
26	1	6-WAY VALVE PRAHER SM10	440119	59,60 €	A
27	2	PVC TUBE 50x2,4 PN10	440124	2,34 €	A
28	1	PVC TUBE 50x2,4 PN10	440126	2,34 €	A
29	20	FILTER NOZZLE KSP-0,5-73-110-28	440070	4,27 €	A
30	1	BALL VALVES DN20(d25), HDPE, EPDM	440071	8,00 €	A
31	1	INSPECTION LID d300 nr. 180003	440202	32,10 €	A



POZ	PCS	NAME	CODE	BRUTO PRICE /1 PCS	RABATGROUP
<b>1</b>	1	AIR RELIEF VALVE "BEL" 1 1/4"	440065	90,95 €	A
<b>2</b>	8(16*)	CAP M8/s13	440003	0,35 €	A
<b>3</b>	8(16*)	NUT M8 - DIN 934 A2	440004	0,19 €	A
<b>4</b>	8(16*)	WASHER Ø8,4 - DIN 125 A2	440005	0,08 €	A
<b>5</b>	1	INSPECTION LEAD d300 nr. 180003 WITH G1 1/4"	440203	36,10 €	A
<b>6</b>	1(2*)	O-RING 205x8 NBR 70Sh	440107	5,56 €	A
<b>7</b>	2	DIFUSSER d50 nr. 180098-50	440108	6,69 €	A
<b>8</b>	2	PVC TUBE 50x2,4 PN10	440109	2,34 €	A
<b>9</b>	2	ELBOW 90° - d50	440025	1,93 €	A
<b>10</b>	2	PVC TUBE 50x2,4 PN10	440109	2,34 €	A
<b>11</b>	2	REDUCING SOCKET - SHORT d63-d50	440051	1,16 €	A
<b>12</b>	1	T 90° - d63	440072	3,64 €	A
<b>13</b>	1	SPRAY NOZZLE ES10-0,2-8	440130	1,77 €	A
<b>14</b>	1	AIR TUBE PP 8/6	440050	1,40 €	A
<b>15</b>	1	PVC TUBE 63x2,4 PN10	440032	3,28 €	A
<b>19</b>	2	ADAPTOR SOCKET WITH INT. THREAD d63-2"	440036	3,37 €	A
<b>20</b>	2	CLAMPING RING 61,5x75,5x8	440037	1,02 €	A
<b>21</b>	2	GASKET EPDM 80x59x5	440039	1,20 €	A
<b>22</b>	2	O-RING 66,04x5,33 NBR 70Sh	440016	0,81 €	A
<b>23</b>	2	WALL CUTOUT 2" nr. 180099	440138	6,36 €	A
<b>24</b>	1	CONNECTIVE SET FOR 6-WV PRAHER SM20 - 2"	440219	30,55 €	A
<b>25</b>	1	AIR GAUGE INFINITY MAX. 4bar	440022	10,60 €	A
<b>26</b>	1	6-WAY VALVE PRAHER SM20	440141	92,40 €	A
<b>27</b>	2	PVC TUBE 63x2,4 PN10	440042	3,28 €	A
<b>28</b>	2	ELBOW 90° - d63	440043	3,42 €	A
<b>29</b>	1	PVC TUBE 63x2,4 PN10	440044	3,28 €	A
<b>30*</b>	24*	FILTER NOZZLE KSP-0,5-73-110-28	440070	4,27 €	A
<b>30**</b>	48**	FILTER NOZZLE KSP-0,5-73-110-28	440070	4,27 €	A
<b>31*</b>	1	BALL VALVES DN20(d25), HDPE, EPDM *	440071	8,00 €	A
<b>31**</b>	1	BALL VALVES DN25(d32), HDPE, EPDM **	440074	9,90 €	A
<b>32*</b>	1	INSPECTION LID d300 nr. 180003 *	440202	32,10 €	A
<b>33**</b>	15	NUT M10 - DIN 934 A2 **	440067	0,41 €	A
<b>34**</b>	15	WASHER Ø10,5 - DIN 125 A2 **	440068	0,10 €	A
<b>35**</b>	15	INSPECTION LEAD d500 **	440199	306,0 €	A

\* FOR FILTERS Ø765; \*\* FOR FILTERS Ø910



**INFO TO ORDER SPARE PARTS**



- ▶ Please let us know serial number, filter type and diameter by issue of an order!
- ▶ Bitte bei den Bestellung der Ersatzteile Seriennummer, Durchmesser und Filtertype angeben!
- ▶ Prosím uveďte v objednávce typ, průměr a sériové číslo filtru na který objednáváte náhradní díly ( viz. příklad v červeném rámečku )!

FILTERS FOR COMMERCIAL POOLS



FILTERS FOR PRIVATE POOLS



FILTRATION UNITS

PUMPS



WALL FITTINGS



MEASURING & CONTROL UNITS, DOSING PUMPS

HEATING FOR SWIMMING POOL WATER



SWIMMING POOL ATTRACTION

ACCESSORIES FOR SWIMMING POOLS

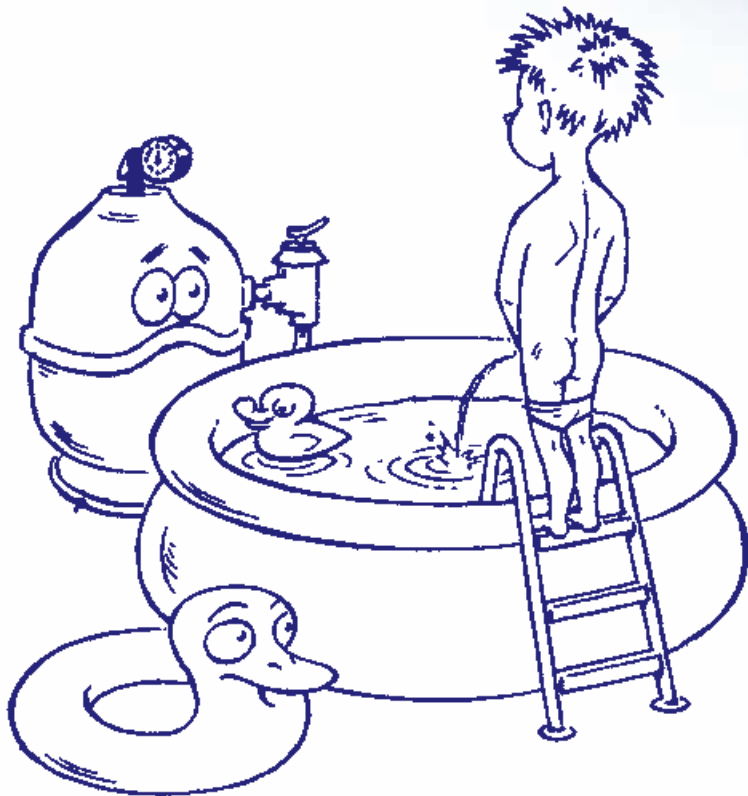


SWIMMING POOL COVERS

PVC FITTINGS AND PIPES



# ***FILTERS FOR PRIVAT POOLS***





## LAMINATED FILTERS

### PAVO series

Filter from polyester resin with glass fibre, complete with internal tubing, inspection windows, drain valve with a reduction to a hose, air-relief valve with pressure gauge, 6-way manual valve - SIDE (filtration, backwash, rinse, recirculate, drain and closed)

- Test pressure: **3,75 bar**
- Max. operation pressure: **2,5 bar**
- Max. operation temperature: **40°C**
- For backwashing with only water

#### Rabat Group



130001 **PAVO 450**  
Capacity: 7,5 m<sup>3</sup>/h

Weight: 18 kg

Standard lid: F  
With transparent lid: F



130008 **PAVO 520**  
Capacity: 10 m<sup>3</sup>/h

Weight: 23 kg

Standard lid: F  
With transparent lid: F

130002 **PAVO 610**  
Capacity: 14 m<sup>3</sup>/h

Weight: 29 kg

Standard lid: F  
With transparent lid: F

130003 **PAVO 765**  
Capacity: 23 m<sup>3</sup>/h

Weight: 45 kg

Standard lid: F  
With transparent lid: F

130004 **PAVO 910**  
Capacity: 33 m<sup>3</sup>/h

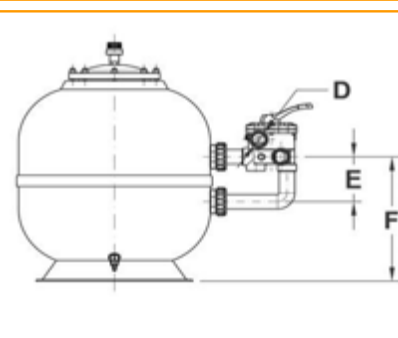
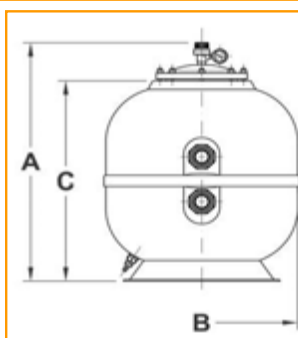
Weight: 55 kg

Standard lid: F  
With transparent lid: F



◀ transparent lid

CODE KÓD KODE	TYPE TYP TYP	DIMENSIONS / ROZMĚRY / DIMENSIONEN [mm]					
		A	B	C	D	E	F
130001	Ø450	755	450	625	1½"	152	392
130008	Ø520	810	520	680	1½"	152	442
130002	Ø610	820	610	690	1½"	152	427
130003	Ø765	875	765	745	2"	145	495
130004	Ø910	930	910	800	2"	145	480



CODE KÓD KODE	TYPE TYP TYP	DIAMETER PRŮMĚR DURCHMESSER	FILTER HEIGHT VÝŠKA FILTRU FILTERHÖHE	CONNECTION PŘIPOJENÍ ANSCHLUSS	CAPACITY VÝKON DURCHFLOß	FILTER CHARGE FILTRAČNÍ NÁPLŇ SANDFÜLLUNG	WEIGHT HMOTNOST GEWICHT
130001	Ø450	450 mm	755 mm	1½"	7,5 m <sup>3</sup> /h	70 kg	18 kg
130008	Ø520	520 mm	810 mm	1½"	10 m <sup>3</sup> /h	100 kg	23 kg
130002	Ø610	610 mm	820 mm	1½"	14 m <sup>3</sup> /h	125 kg	29 kg
130003	Ø765	765 mm	875 mm	2"	23 m <sup>3</sup> /h	225 kg	45 kg
130004	Ø910	910 mm	930 mm	2"	33 m <sup>3</sup> /h	325 kg	55 kg

### CORVUS series

Filter from polyester resin with glass fibre, complete with internal tubing, inspection windows, drain valve with a reduction to a hose, air drain cock, 6-way manual valve - SIDE (filtration, backwash, rinse, recirculate, drain and closed)

**Standard with transparent flat lid.**

- Test pressure: **3,75 bar**
- Max. operation pressure: **2,5 bar**
- Max. operation temperature: **40°C**
- For backwashing with only water

**Rabat Group**



130015 **CORVUS 520**  
Capacity: 10 m<sup>3</sup>/h

Weight: 18 kg

F



130016 **CORVUS 640**  
Capacity: 15 m<sup>3</sup>/h

Weight: 23 kg

F



130017 **CORVUS 720**  
Capacity: 20 m<sup>3</sup>/h

Weight: 30 kg

F



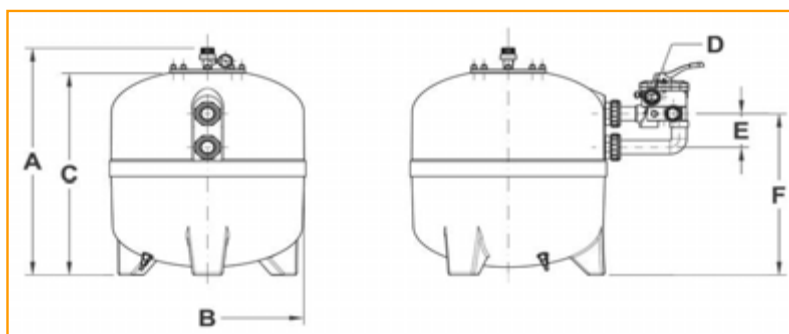
130018 **CORVUS 840**  
Capacity: 28 m<sup>3</sup>/h

Weight: 38 kg

F

◀ standard with transparent flat lid

CODE KÓD KODE	TYPE TYP TYP	DIMENSIONS / ROZMĚRY / DIMENSIONEN [mm]					
		A	B	C	D	E	F
		130015	Ø520	760	520	670	1½"
130016	Ø640	810	640	720	1½"	120	575
130017	Ø720	930	720	840	2"	145	700
130018	Ø840	990	840	900	2"	145	725



CODE KÓD KODE	TYPE TYP TYP	DIAMETER PRŮMĚR DURCHMESSER	FILTER HEIGHT VÝŠKA FILTRU FILTERHÖHE	CONNECTION PŘIPOJENÍ ANSCHLUSS	CAPACITY VÝKON DURCHFLOß	FILTER CHARGE FILTRAČNÍ NÁPLŇ SANDFÜLLUNG	WEIGHT HMOTNOST GEWICHT
130015	Ø520	520 mm	760 mm	1½"	10 m <sup>3</sup> /h	100 kg	18 kg
130016	Ø640	640 mm	810 mm	1½"	15 m <sup>3</sup> /h	125 kg	23 kg
130017	Ø720	720 mm	930 mm	2"	20 m <sup>3</sup> /h	175 kg	30 kg
130018	Ø840	840 mm	990 mm	2"	28 m <sup>3</sup> /h	225 kg	38 kg

## COLUMBA series

Filter from polyester resin with glass fibre, complete with internal tubing, inspection windows, drain valve with a reduction to a hose, air-relief valve with pressure gauge, 6-way manual valve (filtration, backwash, rinse, recirculate, drain and closed)

- Test pressure: **3,75 bar**
- Max. operation pressure: **2,5 bar**
- Max. operation temperature: **40°C**
- For backwashing with only water



130022 **COLUMBA 520**  
Capacity: 10 m<sup>3</sup>/h

Weight: 16 kg

*Standard lid:* F  
*With transparent lid:* F

**Rabat Group**



130023 **COLUMBA 640**  
Capacity: 15 m<sup>3</sup>/h

Weight: 21 kg

*Standard lid:* F  
*With transparent lid:* F



130024 **COLUMBA 760**  
Capacity: 22 m<sup>3</sup>/h

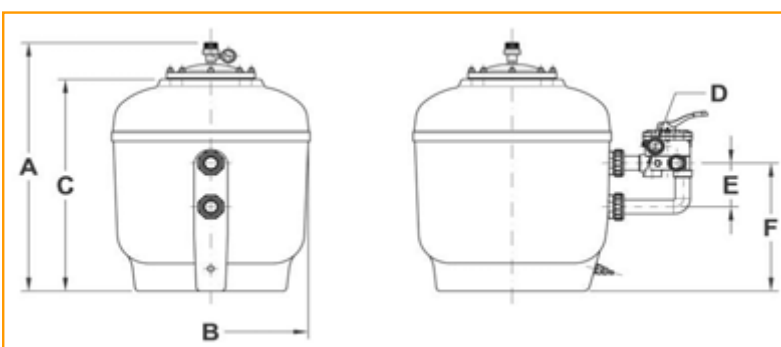
Weight: 32 kg

*Standard lid:* F  
*With transparent lid:* F



◀ transparent lid

CODE KÓD KODE	TYPE TYP TYP	DIMENSIONS / ROZMĚRY / DIMENSIONEN [mm]					
		A	B	C	D	E	F
130022	Ø520	770	520	640	1½"	152	427
130023	Ø640	880	640	750	1½"	152	452
130024	Ø760	940	760	810	2"	145	515



CODE KÓD KODE	TYPE TYP TYP	DIAMETER PRŮMĚR DURCHMESSER	FILTER HEIGHT VÝŠKA FILTRU FILTERHÖHE	CONNECTION PŘIPOJENÍ ANSCHLUSS	CAPACITY VÝKON DURCHFLOß	FILTER CHARGE FILTRAČNÍ NAPLNĚNÍ SANDFÜLLUNG	WEIGHT HMOTNOST GEWICHT
130022	Ø520	520 mm	770 mm	1½"	10 m <sup>3</sup> /h	75 kg	16 kg
130023	Ø640	640 mm	880 mm	1½"	15 m <sup>3</sup> /h	100 kg	21 kg
130024	Ø760	760 mm	940 mm	2"	22 m <sup>3</sup> /h	175 kg	32 kg

### CYGNUS series

Filter from polyester resin with glass fibre, complete with internal tubing, inspection windows, drain valve with a reduction to a hose, air-relief valve with pressure gauge, 6-way manual valve (filtration, backwash, rinse, recirculate, drain and closed)

- Test pressure: **3,75 bar**
- Max. operation pressure: **2,5 bar**
- Max. operation temperature: **40°C**
- For backwashing with only water



130019 **CYGNUS 520**  
Capacity: 10 m<sup>3</sup>/h

Weight: 18 kg

**Rabat Group**  
*Standard lid:* F  
*With transparent lid:* F



130020 **CYGNUS 640**  
Capacity: 15 m<sup>3</sup>/h

Weight: 23 kg

*Standard lid:* F  
*With transparent lid:* F



130021 **CYGNUS 760**  
Capacity: 22 m<sup>3</sup>/h

Weight: 34 kg

*Standard lid:* F  
*With transparent lid:* F



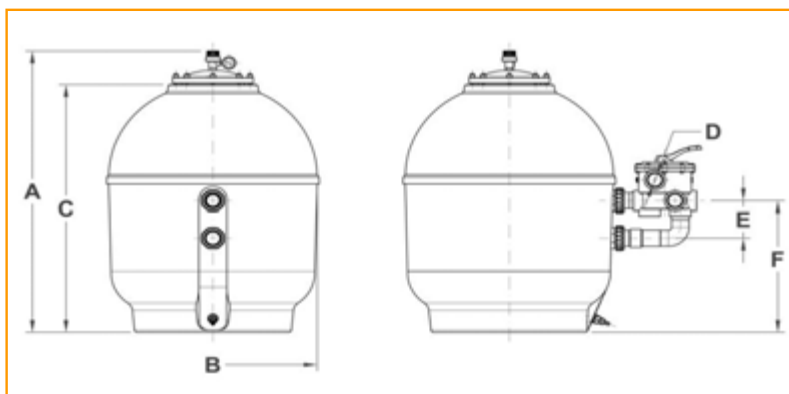
130026 **CYGNUS 900**  
Capacity: 33 m<sup>3</sup>/h

Weight: 48 kg

*Standard lid:* F  
*With transparent lid:* F

◀ transparent lid

CODE KÓD KODE	TYPE TYP TYP	DIMENSIONS / ROZMĚRY / DIMENSIONEN [mm]					
		A	B	C	D	E	F
130019	Ø520	870	520	740	1½"	152	427
130020	Ø640	970	640	840	1½"	152	452
130021	Ø760	1105	760	975	2"	145	515
130026	Ø900	1110	900	980	2"	145	450



CODE KÓD KODE	TYPE TYP TYP	DIAMETER PRŮMĚR DURCHMESSER	FILTER HEIGHT VÝŠKA FILTRU FILTERHÖHE	CONNECTION PŘIPOJENÍ ANSCHLUSS	CAPACITY VÝKON DURCHFLOß	FILTER CHARGE FILTRAČNÍ NÁPLŇ SANDFÜLLUNG	WEIGHT HMOTNOST GEWICHT
130019	Ø520	520 mm	870 mm	1½"	10 m <sup>3</sup> /h	100 kg	18 kg
130020	Ø640	640 mm	970 mm	1½"	15 m <sup>3</sup> /h	150 kg	23 kg
130021	Ø760	760 mm	1105 mm	2"	22 m <sup>3</sup> /h	225 kg	34 kg
130026	Ø900	900 mm	1110 mm	2"	33 m <sup>3</sup> /h	325 kg	48 kg



## Multi-bed filter

### VIRGO series

Filter from polyester resin with glass fibre, complete with internal tubing, 2 inspection windows, drain valve with a reduction to a hose, air-relief valve with pressure gauge, 6-way manual valve (filtration, backwash, rinse, recirculate, drain and closed)

- Test pressure: **3,75 bar**
- Max. operation pressure: **2,5 bar**
- Max. operation temperature: **40°C**
- For backwashing with only water
- Top and side inspection windows



130005 **VIRGO 610**  
Capacity: 14 m<sup>3</sup>/h

Weight: 45 kg

D

130006 **VIRGO 765**  
Capacity: 23 m<sup>3</sup>/h

Weight: 60 kg

D

130007 **VIRGO 910**  
Capacity: 33 m<sup>3</sup>/h

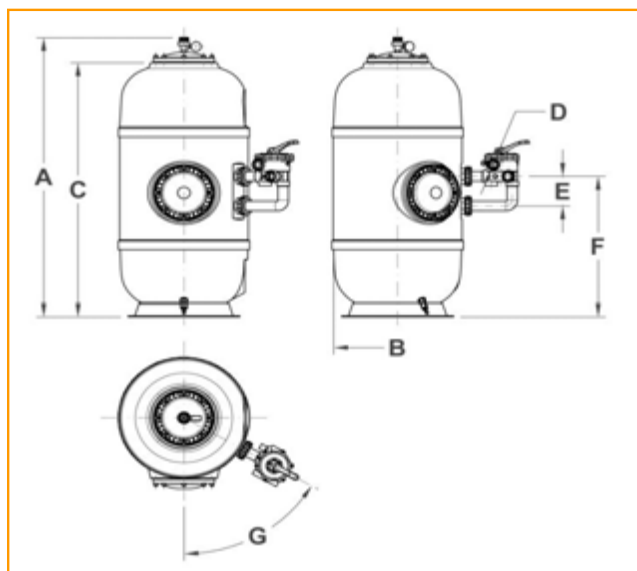
Weight: 75 kg

D



**Rabat  
Group**

CODE KÓD KODE	TYPE TYP TYP	DIMENSIONS / ROZMĚRY / DIMENSIONEN [mm]						
		A	B	C	D	E	F	G
130005	Ø610	1430	610	1300	1½"	152	717	65°
130006	Ø765	1555	765	1425	2"	230	875	60°
130007	Ø910	1600	910	1470	2"	230	880	60°



CODE KÓD KODE	TYPE TYP TYP	DIAMETER PRŮMĚR DURCHMESSER	FILTER HEIGHT VÝŠKA FILTRU FILTERHÖHE	CONNECTION PŘIPOJENÍ ANSCHLUSS	CAPACITY VÝKON DURCHFLUSS	FILTER CHARGE FILTRACNÍ NÁPLŇ SANDFÜLLUNG	WEIGHT HMOTNOST GEWICHT
130005	Ø610	610 mm	1430 mm	1½"	14 m <sup>3</sup> /h	375 kg	45 kg
130006	Ø765	765 mm	1555 mm	2"	23 m <sup>3</sup> /h	500 kg	60 kg
130007	Ø910	910 mm	1600 mm	2"	33 m <sup>3</sup> /h	850 kg	75 kg

### BLOWED FILTERS

#### LYRA series

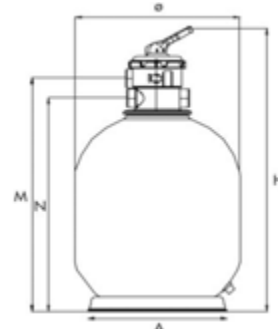
Blow moulded filter made of High Density Polyethylene (HDPE). Fitted with arm collectors arms and diffuser made of PVC. Equipped with a pressure gauge and a manual air bleed tap and a manual water drain plug. 6-way valves.

- Test pressure: **3,0 bar**
- Max. operation pressure: **2,0 bar**
- Max. operation temperature: **40°C**
- Made of **HDPE**

#### TOP - mounted 6-way valve



Code	Type	Capacity	Rabat Group
160080	<b>LYRA-T 400</b>	Capacity: 6 m <sup>3</sup> /h	F
160081	<b>LYRA-T 450</b>	Capacity: 8 m <sup>3</sup> /h	F
160082	<b>LYRA-T 500</b>	Capacity: 10 m <sup>3</sup> /h	F
160083	<b>LYRA-T 600</b>	Capacity: 14 m <sup>3</sup> /h	F

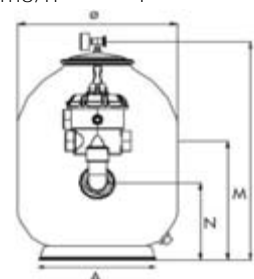


CODE KÓD KODE	TYPE TYP TYP	CAPACITY VÝKON DURCHFLOSS	CONNECTION PŘÍPOJENÍ ANSCHLUSS	DIMENSIONS / ROZMĚRY / DIMENSIONEN [mm]					FILTER CHARGE FILTRACNÍ NÁPLŇ SANDFÜLLUNG
				Ø	A	H	M	N	
160080	Ø400	6,0 m <sup>3</sup> /h	G 1½"	400	340	825	660	595	50 kg
160081	Ø450	8,0 m <sup>3</sup> /h	G 1½"	450	340	870	705	645	70 kg
160082	Ø500	10,0 m <sup>3</sup> /h	G 1½"	500	430	915	750	680	100 kg
160083	Ø600	14,0 m <sup>3</sup> /h	G 1½"	600	430	1015	850	790	200 kg

#### SIDE - mounted 6-way valve



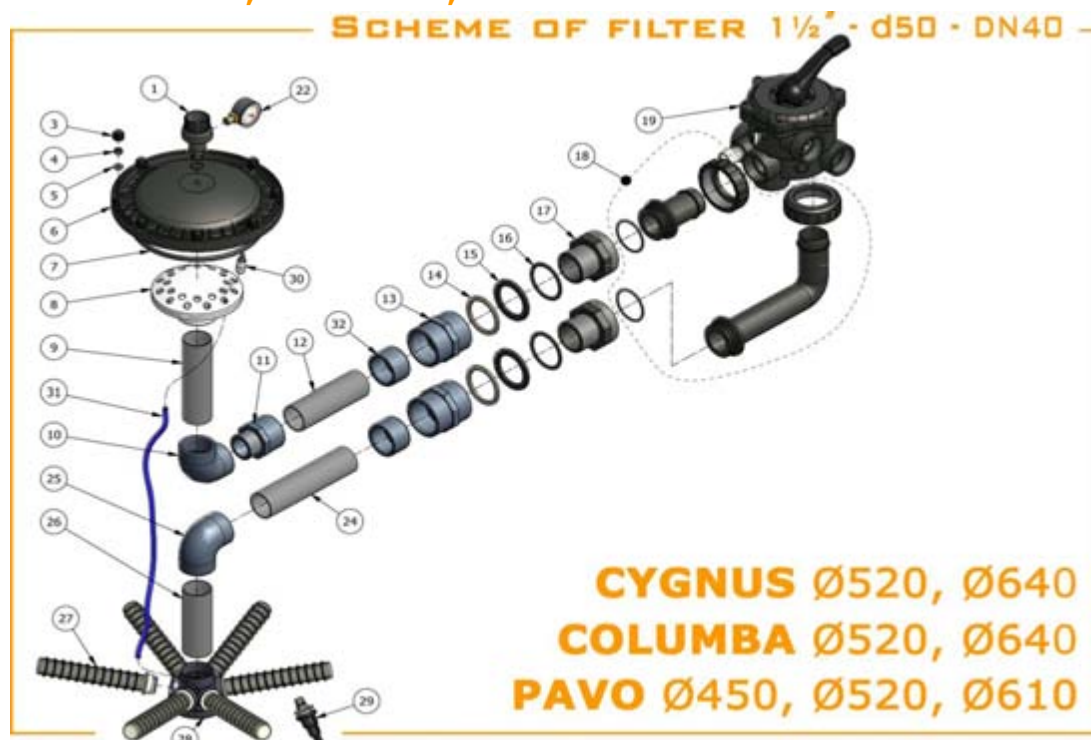
Code	Type	Capacity	Rabat Group
160084	<b>LYRA-S 400</b>	Capacity: 6 m <sup>3</sup> /h	F
160085	<b>LYRA-S 450</b>	Capacity: 8 m <sup>3</sup> /h	F
160086	<b>LYRA-S 500</b>	Capacity: 10 m <sup>3</sup> /h	F
160087	<b>LYRA-S 600</b>	Capacity: 14 m <sup>3</sup> /h	F



CODE KÓD KODE	TYPE TYP TYP	CAPACITY VÝKON DURCHFLOSS	CONNECTION PŘÍPOJENÍ ANSCHLUSS	DIMENSIONS / ROZMĚRY / DIMENSIONEN [mm]					FILTER CHARGE FILTRACNÍ NÁPLŇ SANDFÜLLUNG
				Ø	A	H	M	N	
160084	Ø400	6,0 m <sup>3</sup> /h	G 1½"	400	340	610	360	235	50 kg
160085	Ø450	8,0 m <sup>3</sup> /h	G 1½"	450	340	655	355	230	70 kg
160086	Ø500	10,0 m <sup>3</sup> /h	G 1½"	500	430	700	365	240	100 kg
160087	Ø600	14,0 m <sup>3</sup> /h	G 1½"	600	430	800	415	290	200 kg

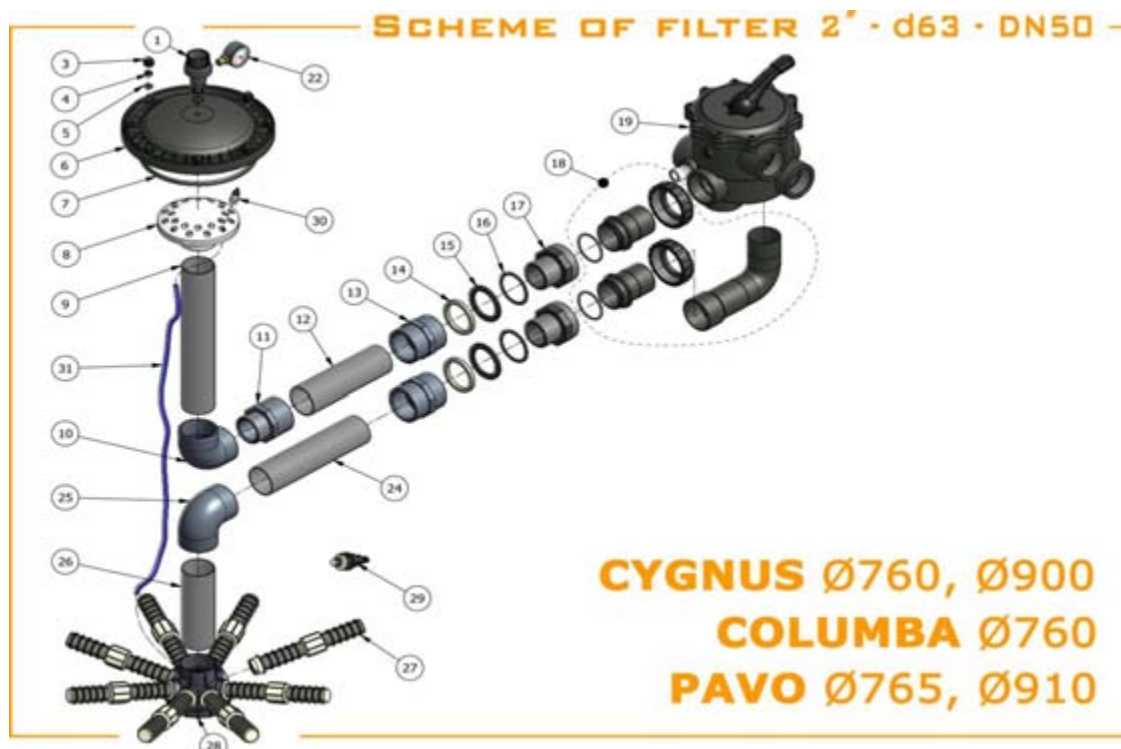
## LIST OF SPARE PARTS

### FOR FILTERS PAVO, COLUMBA, CYGNUS SERIES



POZ	PCS	NAME	CODE	BRUTO PRICE/1 PCS	RABAT GROUP
1	1	AIR RELIEF VALVE 1/4" + O-RING 18x2,65	440001	15,50 €	A
3	8	CAP M8/s13	440003	0,35 €	A
4	8	NUT M8 - DIN 934 A2	440004	0,19 €	A
5	8	WASHER Ø8,4 - DIN 125 A2	440005	0,08 €	A
6	1	INSPECTION LID d300 nr. 180003 WITH G1/4"	440106	34,10 €	A
7	1	O-RING 205x8 NBR 70Sh	440107	5,56 €	A
8	1	DIFUSSER d50 nr. 180098-50	440108	6,69 €	A
9	1	PVC TUBE 50x2,4 PN10	440109	2,34 €	A
10	1	ELBOW-MIX 90° - d50-1½"	440010	4,25 €	A
11	1	ADAPTOR SOCKET WITH EXT. THREAD d50-1½"	440011	1,50 €	A
12	1	PVC TUBE 50x2,4 PN10	440112	2,34 €	A
13	2	ADAPTOR SOCKET WITH INT. THREAD d63-2"	440036	3,37 €	A
14	2	CLAMPING RING 61,5x75,5x8	440037	1,02 €	A
15	2	GASKET EPDM 80x59x5	440039	1,20 €	A
16	2	O-RING 66,04x5,33 NBR 70Sh	440016	0,81 €	A
17	2	WALL CUTOOUT 2" nr. 180099	440138	6,36 €	A
18	1	CONNECTIVE SET FOR 6-WV PRAHER SM10 - 1½"	440118	22,80 €	A
19	1	6-WAY VALVE PRAHER SM10	440119	59,60 €	A
22	1	AIR GAUGE INFINITY MAX. 4bar	440022	10,60 €	A
24	1	PVC TUBE 50x2,4 PN10	440124	2,34 €	A
25	1	ELBOW 90° - d50	440025	1,93 €	A
26	1	PVC TUBE 50x2,4 PN10	440126	2,34 €	A
27	6	JET A4-0,25-113 *	440027-113	2,65 €	A
		JET A4-0,25-185 **	440027-185	3,97 €	A
28	1	SEPARATOR MSS6	440028	8,89 €	A
29	1	DRAIN VALVE EH-0,2	440029	6,89 €	A
30	1	SPRAY NOZZLE ES10-0,2-8	440130	1,77 €	A
31	1	AIR TUBE PP 8/6	440050	1,40 €	A
32	2	REDUCING SOCKET - SHORT d63-d50	440051	1,16 €	A

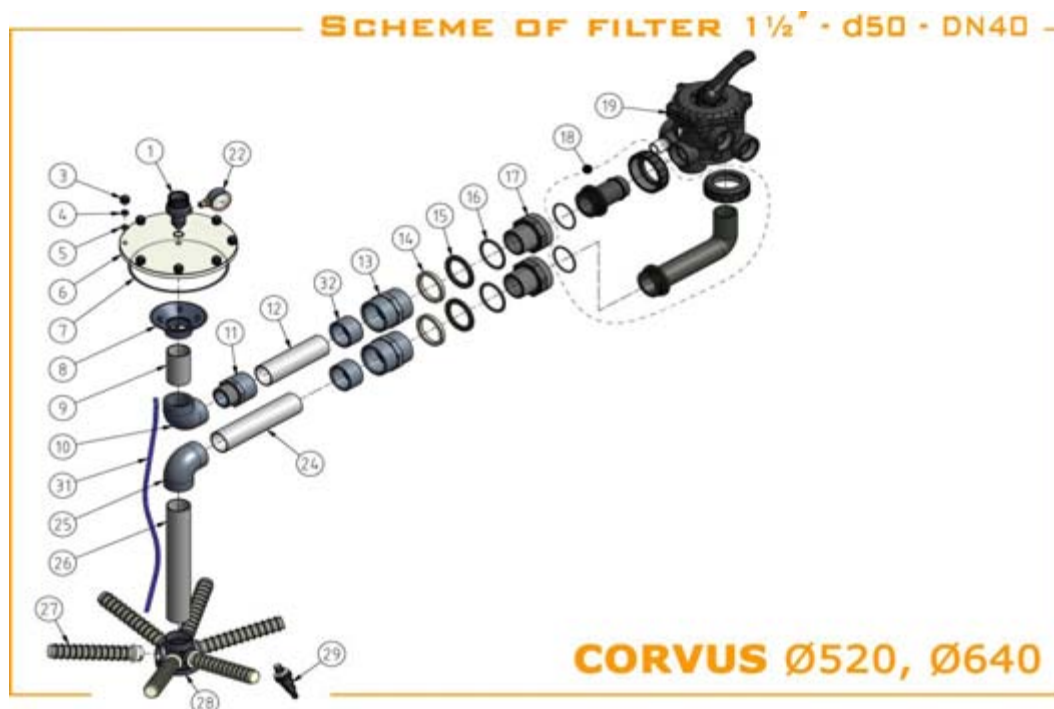
\* FOR FILTERS Ø450, Ø520; \*\* FOR FILTERS Ø610, Ø640



POZ	PCS	NAME	CODE	BRUTO PRICE/1 PCS	RABATG ROUP
1	1	AIR RELIEF VALVE 1/4" + O-RING 18x2,65	440001	15,50 €	A
3	8	CAP M8/s13	440003	0,35 €	A
4	8	NUT M8 - DIN 934 A2	440004	0,19 €	A
5	8	WASHER Ø8,4 - DIN 125 A2	440005	0,08 €	A
6	1	INSPECTION LID d300 nr. 180003 WITH G1/4"	440106	34,10 €	A
7	1	O-RING 205x8 NBR 70Sh	440107	5,56 €	A
8	1	DIFUSSER d63/d75 nr. 180098-63/75	440131	6,88 €	A
9	1	PVC TUBE 63x2,4 PN10	440032	3,28 €	A
10	1	ELBOW-MIX 90° - d63-2"	440033	4,71 €	A
11	1	ADAPTOR SOCKET WITH EXT. THREAD d63-2"	440034	2,83 €	A
12	1	PVC TUBE 63x2,4 PN10	440035	3,28 €	A
13	2	ADAPTOR SOCKET WITH INT. THREAD d63-2"	440036	3,37 €	A
14	2	CLAMPING RING 61,5x75,5x8	440037	1,02 €	A
15	2	GASKET EPDM 80x59x5	440039	1,20 €	A
16	2	O-RING 66,04x5,33 NBR 70Sh	440016	0,81 €	A
17	2	WALL CUTOOUT 2" nr. 180099	440138	6,36 €	A
18	1	CONNECTIVE SET FOR 6-WV PRAHER SM20	440218	33,20 €	A
19	1	6-WAY VALVE PRAHER SM20 - 2"	440141	92,40 €	A
22	1	AIR GAUGE INFINITY MAX. 4bar	440022	10,60 €	A
24	1	PVC TUBE 63x2,4 PN10	440042	3,28 €	A
25	1	ELBOW 90° - d63	440043	3,42 €	A
26	1	PVC TUBE 63x2,4 PN10	440044	3,28 €	A
27	8	JET A4-0,25-240 *	440045-240	6,08 €	A
		JET A4-0,25-312 **	440045-312	7,23 €	A
28	1	SEPARATOR MSS8	440046	17,86 €	A
29	1	DRAIN VALVE EH-0,2	440029	6,89 €	A
30	1	SPRAY NOZZLE ES10-0,2-8	440130	1,77 €	A
31	1	AIR TUBE PP 8/6	440050	1,40 €	A

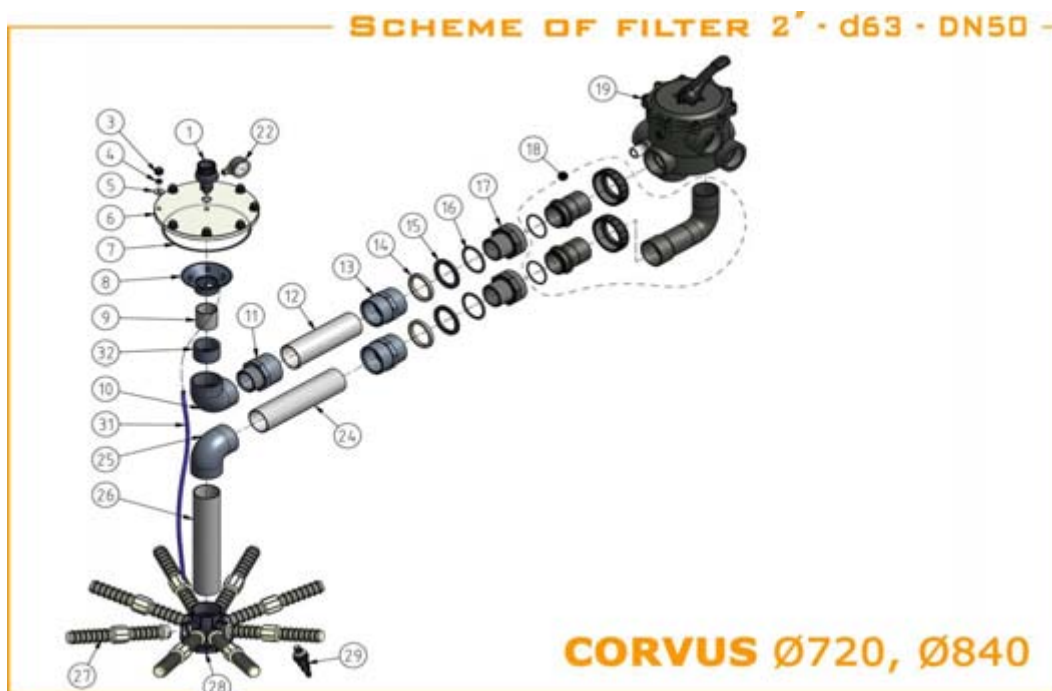
\* FOR FILTERS Ø760, Ø765; \*\* FOR FILTERS Ø910, Ø900



**FOR FILTERS CORVUS SERIES**


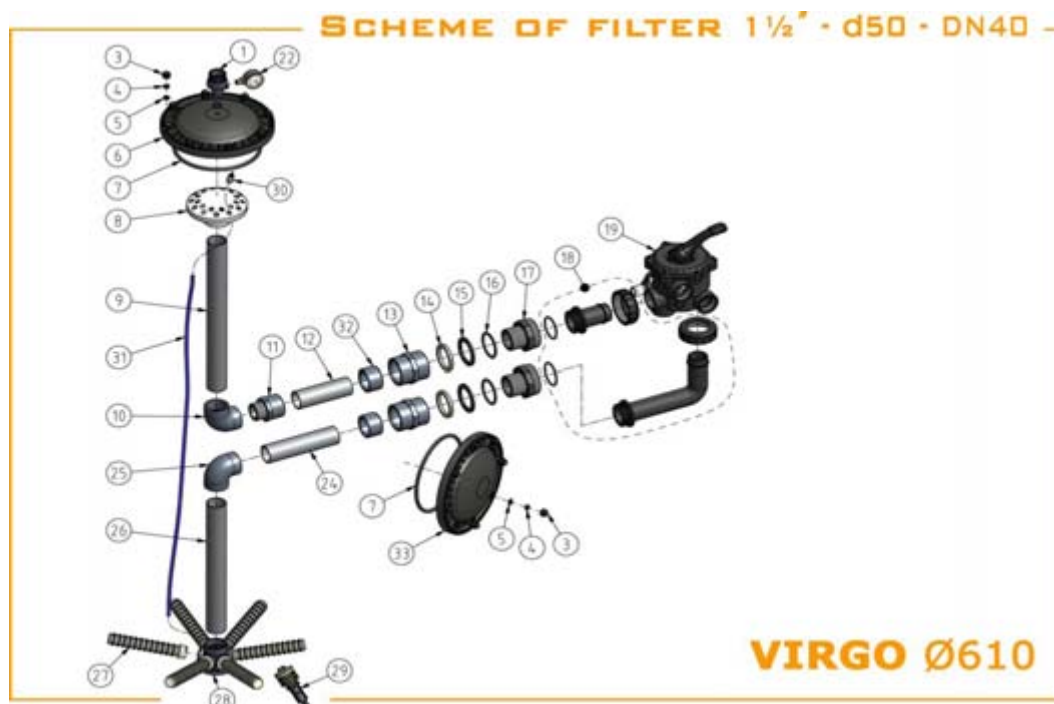
POZ	PCS	NAME	CODE	BRUTO PRICE/1		RABATG ROUP
				PCS		
1	1	AIR RELIEF VALVE 1/4" + O-RING 18x2,65	440001	15,50 €		A
3	8	CAP M8/s13	440003	0,35 €		A
4	8	NUT M8 - DIN 934 A2	440004	0,19 €		A
5	8	WASHER Ø8,4 - DIN 9021 A2	440005	0,08 €		A
6	1	INSPECTION LID d246 nr. 180004 WITH G1/4"	440060	67,95 €		A
7	1	O-RING 200x5 NBR 70Sh	440061	3,33 €		A
8	1	DIFUSSER BCK d50 (BLACK ABS)	440073	9,35 €		A
9	1	PVC TUBE 50x2,4 PN10	440109	2,34 €		A
10	1	ELBOW-MIX 90° - d50-1 1/2"	440010	4,25 €		A
11	1	ADAPTOR SOCKET WITH EXT. THREAD d50-1 1/2"	440011	1,50 €		A
12	1	PVC TUBE 50x2,4 PN10	440112	2,34 €		A
13	2	ADAPTOR SOCKET WITH INT. THREAD d63-2"	440036	3,37 €		A
14	2	CLAMPING RING 61,5x75,5x8	440037	1,02 €		A
15	2	GASKET EPDM 80x59x5	440039	1,20 €		A
16	2	O-RING 66,04x5,33 NBR 70Sh	440016	0,81 €		A
17	2	WALL CUTOUT 2" nr. 180099	440138	6,36 €		A
18	1	CONNECTIVE SET FOR 6-WV PRAHER SM10 - 1 1/2"	440120	22,80 €		A
19	1	6-WAY VALVE PRAHER SM10	440119	59,60 €		A
22	1	AIR GAUGE INFINITY MAX. 4bar	440022	10,60 €		A
24	1	PVC TUBE 50x2,4 PN10	440124	2,34 €		A
25	1	ELBOW 90° - d50	440025	1,93 €		A
26	1	PVC TUBE 50x2,4 PN10	440126	2,34 €		A
27	6	JET A4-0,25-113 *	440027-113	2,65 €		A
		JET A4-0,25-185 **	440027-185	3,97 €		A
28	1	SEPARATOR MSS6	440028	8,89 €		A
29	1	DRAIN VALVE EH-0,2	440029	6,89 €		A
31	1	AIR TUBE PP 8/6	440050	1,40 €		A
32	2	REDUCING SOCKET - SHORT d63-d50	440051	1,16 €		A

\* FOR FILTERS Ø520; \*\* FOR FILTERS Ø640



POZ	PCS	NAME	CODE	BRUTO PRICE/1	RABATG
				PCS	ROUP
1	1	AIR RELIEF VALVE 1/4" + O-RING 18x2,65	440001	15,50 €	A
3	8	CAP M8/s13	440003	0,35 €	A
4	8	NUT M8 - DIN 934 A2	440004	0,19 €	A
5	8	WASHER Ø8,4 - DIN 9021 A2	440005	0,08 €	A
6	1	INSPECTION LID d246 nr. 180004 WITH G1/4"	440060	67,95 €	A
7	1	O-RING 200x5 NBR 70Sh	440061	3,33 €	A
8	1	DIFUSSER BCK d50 (BLACK ABS)	440073	9,35 €	A
9	1	PVC TUBE 50x2,4 PN10	440109	2,34 €	A
10	1	ELBOW-MIX 90° - d63-2"	440033	4,71 €	A
11	1	ADAPTOR SOCKET WITH EXT. THREAD d63-2"	440034	2,83 €	A
12	1	PVC TUBE 63x2,4 PN10	440035	3,28 €	A
13	2	ADAPTOR SOCKET WITH INT. THREAD d63-2"	440036	3,37 €	A
14	2	CLAMPING RING 61,5x75,5x8	440037	1,02 €	A
15	2	GASKET EPDM 80x59x5	440039	1,20 €	A
16	2	O-RING 66,04x5,33 NBR 70Sh	440016	0,81 €	A
17	2	WALL CUTOUT 2" nr. 180099	440138	6,36 €	A
18	1	CONNECTIVE SET FOR 6-WV PRAHER SM20	440218	33,20 €	A
19	1	6-WAY VALVE PRAHER SM20 - 2"	440141	92,40 €	A
22	1	AIR GAUGE INFINITY MAX. 4bar	440022	10,60 €	A
24	1	PVC TUBE 63x2,4 PN10	440042	3,28 €	A
25	1	ELBOW 90° - d63	440043	3,42 €	A
26	1	PVC TUBE 63x2,4 PN10	440044	3,28 €	A
27	8	JET A4-0,25-240 *	440045-240	6,08 €	A
		JET A4-0,25-312 **	440045-312	7,23 €	A
28	1	SEPARATOR MSS8	440046	17,86 €	A
29	1	DRAIN VALVE EH-0,2	440029	6,89 €	A
31	1	AIR TUBE PP 8/6	440050	1,40 €	A
32	1	REDUCING SOCKET - SHORT d63-d50	440051	1,16 €	A

\* FOR FILTERS Ø720; \*\* FOR FILTERS Ø840

**FOR FILTERS VIRGO SERIES**


POZ	PCS	NAME	CODE	BRUTO PRICE/1	RABATG
				PCS	ROUP
1	1	AIR RELIEF VALVE 1/4" + O-RING 18x2,65	440001	15,50 €	A
3	16	CAP M8/s13	440003	0,35 €	A
4	16	NUT M8 - DIN 934 A2	440004	0,19 €	A
5	16	WASHER Ø8,4 - DIN 125 A2	440005	0,08 €	A
6	1	INSPECTION LID d300 nr. 180003 WITH G1/4"	440106	34,10 €	A
7	2	O-RING 205x8 NBR 70Sh	440107	5,56 €	A
8	1	DIFUSSER d50 nr. 180098-50	440108	6,69 €	A
9	1	PVC TUBE 50x2,4 PN10	440109	2,34 €	A
10	1	ELBOW-MIX 90° - d50-1 1/2"	440010	4,25 €	A
11	1	ADAPTOR SOCKET WITH EXT. THREAD d50-1 1/2"	440011	1,50 €	A
12	1	PVC TUBE 50x2,4 PN10	440112	2,34 €	A
13	2	ADAPTOR SOCKET WITH INT. THREAD d63-2"	440036	3,37 €	A
14	2	CLAMPING RING 61,5x75,5x8	440037	1,02 €	A
15	2	GASKET EPDM 80x59x5	440039	1,20 €	A
16	2	O-RING 66,04x5,33 NBR 70Sh	440016	0,81 €	A
17	2	WALL CUTOUT 2" nr. 180099	440138	6,36 €	A
18	1	CONNECTIVE SET FOR 6-WV PRAHER SM10 - 1 1/2"	440118	22,80 €	A
19	1	6-WAY VALVE PRAHER SM10	440119	59,60 €	A
22	1	AIR GAUGE INFINITY MAX. 4bar	440022	10,60 €	A
24	1	PVC TUBE 50x2,4 PN10	440124	2,34 €	A
25	1	ELBOW 90° - d50	440025	1,93 €	A
26	1	PVC TUBE 50x2,4 PN10	440126	2,34 €	A
27	6	JET A4-0,25-185	440027-185	3,97 €	A
28	1	SEPARATOR MSS6	440028	8,89 €	A
29	1	DRAIN VALVE ED-0,2	440066	7,48 €	A
30	1	SPRAY NOZZLE ES10-0,2-8	440130	1,77 €	A
31	1	AIR TUBE PP 8/6	440050	1,40 €	A
32	2	REDUCING SOCKET - SHORT d63-d50	440051	1,16 €	A
33	1	INSPECTION LID d300 nr. 180003	440202	32,10 €	A

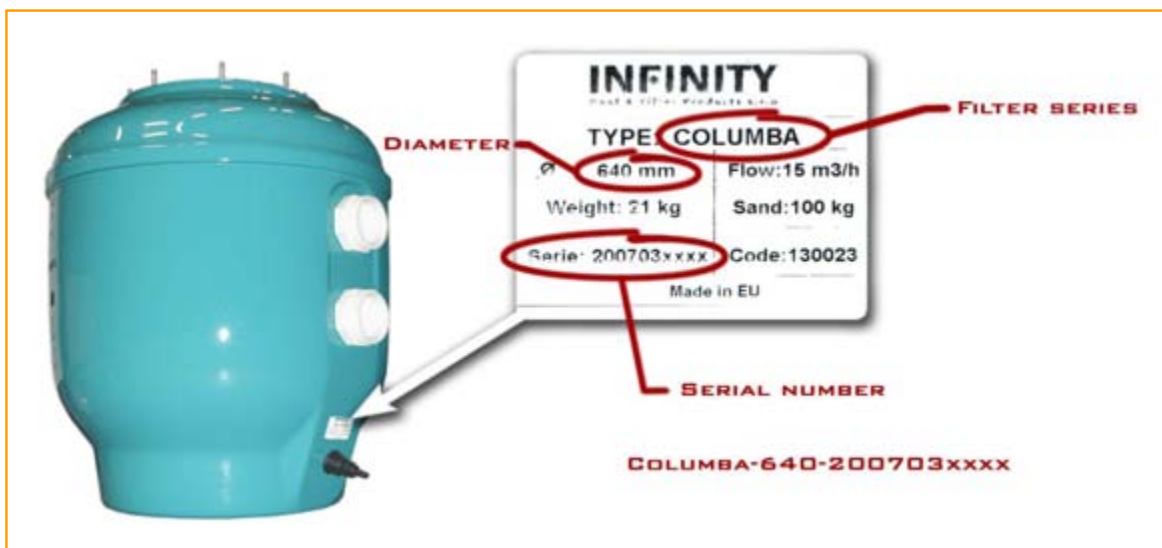


POZ	PCS	NAME	CODE	BRUTO PRICE /1 PCS	RABATG ROUP
1	1	AIR RELIEF VALVE 1/4" + O-RING 18x2,65	440001	15,50 €	A
3	16	CAP M8/s13	440003	0,35 €	A
4	16	NUT M8 - DIN 934 A2	440004	0,19 €	A
5	16	WASHER Ø8,4 - DIN 125 A2	440005	0,08 €	A
6	1	INSPECTION LID d300 nr. 180003 WITH G1/4"	440106	34,10 €	A
7	2	O-RING 205x8 NBR 70Sh	440107	5,56 €	A
8	1	DIFUSSER d63/d75 nr. 180098-63/75	440131	6,88 €	A
9	1	PVC TUBE 63x2,4 PN10	440032	3,28 €	A
10	1	ELBOW-MIX 90° - d63-2"	440033	4,71 €	A
11	1	ADAPTOR SOCKET WITH EXT. THREAD d63-2"	440034	2,83 €	A
12	1	PVC TUBE 63x2,4 PN10	440035	3,28 €	A
13	2	ADAPTOR SOCKET WITH INT. THREAD d63-2"	440036	3,37 €	A
14	2	CLAMPING RING 61,5x75,5x8	440037	1,02 €	A
15	2	GASKET EPDM 80x59x5	440039	1,20 €	A
16	2	O-RING 66,04x5,33 NBR 70Sh	440016	0,81 €	A
17	2	WALL CUTOUT 2" nr. 180099	440138	6,36 €	A
18	1	CONNECTIVE SET FOR 6-WV PRAHER SM20	440219	30,55 €	A
19	1	6-WAY VALVE PRAHER SM20 - 2"	440141	92,40 €	A
22	1	AIR GAUGE INFINITY MAX. 4bar	440022	10,60 €	A
24	1	PVC TUBE 63x2,4 PN10	440042	3,28 €	A
25	1	ELBOW 90° - d63	440043	3,42 €	A
26	1	PVC TUBE 63x2,4 PN10	440044	3,28 €	A
27	8	JET A4-0,25-240 *	440045-240	6,08 €	A
		JET A4-0,25-312 **	440045-312	7,23 €	A
28	1	SEPARATOR MSS8	440046	17,86 €	A
29	1	DRAIN VALVE ED-0,2	440066	7,48 €	A
30	1	SPRAY NOZZLE ES10-0,2-8	440130	1,40 €	A
31	1	AIR TUBE PP 8/6	440050	1,16 €	A
33	1	INSPECTION LID d300 nr. 180003	440202	32,10 €	A

\* FOR FILTERS Ø765; \*\* FOR FILTERS Ø910



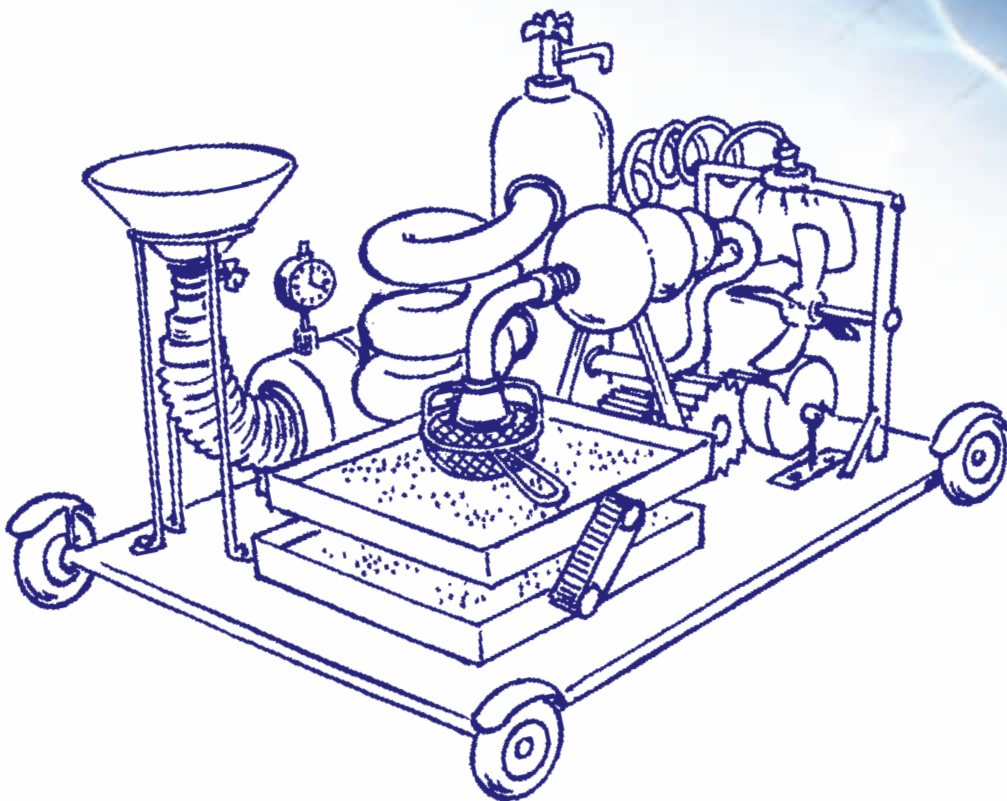
## INFO TO ORDER SPARE PARTS



- ▶ Please let us know serial number, filter type and diameter by issue of an order!
- ▶ Bitte bei den Bestellung der Ersatzteile Seriennummer, Durchmesser und Filtertype angeben!
- ▶ Prosím uveďte v objednávce typ, průměr a sériové číslo filtru na který objednáváte náhradní díly ( viz. příklad v červeném rámečku )!



# ***FILTRATION UNITS***





## FILTRATION UNITS WITH BLOWED FILTER

### LYRA series - FILTRATION KIT

Filtration equipment – Blow moulded filter made of High Density Polyethylene (HDPE). Fitted with arm collectors arms and diffuser made of PVC. Equipped with a pressure gauge and a manual airbleed tap and a manual water drain plug. 6-way valve. Assembly with a self-priming plastic pump Infinity HPS, hair preliminary filter, plastic pallet.

- Max. operation pressure: **2,0 bar**
- Max. operation temperature: **40°C**
- Filter made of **HDPE**
- Assembled on base with self priming pump **HPS** with prefilter.

#### TOP - mounted 6-way valve



CODE	TYPE	MAX. FLOW RATE	CONNECTION	PUMP POWER	MAX. HEIGHT	MAX. LENGTH	MAX. WIDTH	FILTER CHARGE
KÓD	TYP	MAX. PRŮTOK	PŘIPOJENÍ	PŘÍKON ČERP.	MAX. VÝŠKA	MAX. DÉLKA	MAX. ŠÍŘKA	FILTRAČNÍ NAPLNĚNÍ
KODE	TYP	MAX. DURCHFLOSS	ANSCHLUSS	PUMPENLEISTUNG	MAX. HÖHE	MAX. LÄNGE	MAX. BREITEN	SANDFÜLLUNG
140049	<b>LYRA-T 400 KIT</b>	6,0 m <sup>3</sup> /h	6-WV 1½"	0,24 kW - 0,33 HP	825 mm	620 mm	480 mm	50 kg
	Pump - Type:			Infinity HPS 33, 0,19 kW/230 V				
140050	<b>LYRA-T 450 KIT</b>	8,0 m <sup>3</sup> /h	6-WV 1½"	0,37 kW - 0,50 HP	870 mm	620 mm	480 mm	70 kg
	Pump - Type:			Infinity HPS 50, 0,24 kW/230 V				
140051	<b>LYRA-T 500 KIT</b>	10,0 m <sup>3</sup> /h	6-WV 1½"	0,37 kW - 0,50 HP	915 mm	740 mm	500 mm	100 kg
	Pump - Type:			Infinity HPS 50, 0,37 kW/230 V				
140052	<b>LYRA-T 600 KIT</b>	12,0 m <sup>3</sup> /h	6-WV 1½"	0,55 kW - 0,75 HP	1015 mm	740 mm	600 mm	150 kg
	Pump - Type:			Infinity HPS 75, 0,55 kW/230 V				
140053	<b>LYRA-T 600 KIT</b>	14,0 m <sup>3</sup> /h	6-WV 1½"	0,74 kW - 1,00 HP	1015 mm	740 mm	600 mm	150 kg
	Pump - Type:			Infinity HPS 100, 0,55 kW/230 V				

Rabat  
Group

#### SIDE - mounted 6-way valve



CODE	TYPE	MAX. FLOW RATE	CONNECTION	PUMP POWER	MAX. HEIGHT	MAX. LENGTH	MAX. WIDTH	FILTER CHARGE
KÓD	TYP	MAX. PRŮTOK	PŘIPOJENÍ	PŘÍKON ČERP.	MAX. VÝŠKA	MAX. DÉLKA	MAX. ŠÍŘKA	FILTRAČNÍ NAPLNĚNÍ
KODE	TYP	MAX. DURCHFLOSS	ANSCHLUSS	PUMPENLEISTUNG	MAX. HÖHE	MAX. LÄNGE	MAX. BREITEN	SANDFÜLLUNG
140054	<b>LYRA-S 400 KIT</b>	6,0 m <sup>3</sup> /h	6-WV 1½"	0,24 kW - 0,33 HP	610 mm	620 mm	480 mm	50 kg
	Pump - Type:			Infinity HPS 33, 0,19 kW/230 V				
140055	<b>LYRA-S 450 KIT</b>	8,0 m <sup>3</sup> /h	6-WV 1½"	0,37 kW - 0,50 HP	655 mm	620 mm	480 mm	70 kg
	Pump - Type:			Infinity HPS 50, 0,24 kW/230 V				
140056	<b>LYRA-S 500 KIT</b>	10,0 m <sup>3</sup> /h	6-WV 1½"	0,37 kW - 0,50 HP	700 mm	740 mm	500 mm	100 kg
	Pump - Type:			Infinity HPS 50, 0,37 kW/230 V				
140057	<b>LYRA-S 600 KIT</b>	12,0 m <sup>3</sup> /h	6-WV 1½"	0,55 kW - 0,75 HP	800 mm	740 mm	600 mm	150 kg
	Pump - Type:			Infinity HPS 75, 0,55 kW/230 V				
140058	<b>LYRA-S 600 KIT</b>	14,0 m <sup>3</sup> /h	6-WV 1½"	0,74 kW - 1,00 HP	800 mm	740 mm	600 mm	150 kg
	Pump - Type:			Infinity HPS 100, 0,55 kW/230 V				

Rabat  
Group

### FILTRATION UNITS WITH LAMINATED FILTER

#### DRACO series - FILTRATION KIT

Filtration unit - Filter from polyester resin with glass fibre, complete with internal tubing, inspection windows, drain valve with a reduction to a hose, pressure gauge with de-aeration, 6-way valve. Assembly with a plastic pump Infinity MICRO, hair preliminary filter, plastic pallet.

- Max. operation pressure: **2,5 bar**
- Max. operation temperature: **40°C**
- Filter made of **polyester fiberglass**
- Assembled on base with self priming pump **MICRO** with prefilter.

Rabat Group



140010 **DRACO 450** Capacity: 7,5 m<sup>3</sup>/h  
6-way valve 1½" - SIDE Filter charge: 70 kg  
Pump - Type: Infinity MICRO - 0,24 kW/230 V

C



CODE KÓD KODE	TYPE TYP TYP	DIAMETER PRŮMĚR DURCHMESSER	HEIGHT VÝŠKA HÖHE	CONNECTION PŘIPOJENÍ ANSCHLUSS	CAPACITY VÝKON DURCHFLUSS	PUMP ČERPADLO PUMPE	FILTER CHARGE FILTRAČNÍ NÁPLŇ SANDFÜLLUNG	WEIGHT VAHA GEWICHT
140010	Ø450	450 mm	785 mm	6-WV 1½"	7,5 m <sup>3</sup> /h	MICRO 33-0,24 kW/230V	70 kg	30,5 kg

#### ARA series - FILTRATION KIT

Filtration equipment - Filter from polyester resin with glass fibre, complete with internal tubing, inspection window, drain valve with a reduction to a hose, pressure gauge with de-aeration, 6-way valve. Assembly with a self-priming plastic pump Infinity HPS, hair preliminary filter, plastic or fibreglass pallet.

- Max. operation pressure: **2,5 bar**
- Max. operation temperature: **40°C**
- Filter made of **polyester fiberglass**
- Assembled on base with self priming pump **HPS** with prefilter.

Rabat Group



140004 **ARA 450** Capacity: 7,5 m<sup>3</sup>/h  
6-way valve 1½" - SIDE Filter charge: 70 kg  
Pump - Type: Infinity HPS 33 - 0,24 kW/230 V

C



140005 **ARA 520** Capacity: 10 m<sup>3</sup>/h  
6-way valve 1½" - SIDE Filter charge: 100 kg  
Pump - Type: Infinity HPS 50 - 0,37 kW/230 V

C

140006 **ARA 610** Capacity: 14 m<sup>3</sup>/h  
6-way valve 1½" - SIDE Filter charge: 125 kg  
Pump - Type: Infinity HPS 75 - 0,55 kW/230 V

C

CODE KÓD KODE	TYPE TYP TYP	DIAMETER PRŮMĚR DURCHMESSER	HEIGHT VÝŠKA HÖHE	CONNECTION PŘIPOJENÍ ANSCHLUSS	CAPACITY VÝKON DURCHFLUSS	PUMP ČERPADLO PUMPE	FILTER CHARGE FILTRAČNÍ NÁPLŇ SANDFÜLLUNG
140004	Ø450	450 mm	785 mm	6-WV 1½"	7,5 m <sup>3</sup> /h	HPS 33- 0,24kW/230V	70 kg
140005	Ø520	520 mm	840 mm	6-WV 1½"	10 m <sup>3</sup> /h	HPS 50- 0,37kW/230V	100 kg
140006	Ø610	610 mm	850 mm	6-WV 1½"	14 m <sup>3</sup> /h	HPS 75- 0,55kW/230V	125 kg



**FILTRATION KIT VELA**

Filtration equipment - Filter from polyester resin with glass fibre, complete with internal tubing, inspection window, drain valve with a reduction to a hose, pressure gauge with de-aeration, 6-way valve. Assembly with a self-priming plastic pump Infinity HGS, large hair preliminary filter, plastic pallet.

- Max. operation pressure: **2,5 bar**
- Max. operation temperature: **40°C**
- Filter made of **polyester fiberglass**
- Assembled on base with self priming pump **HGS** with prefilter.

**Rabat Group**



140007 **VELA 520** Capacity: 10 m<sup>3</sup>/h  
6-way valve 1½" - SIDE Filter charge: 100 kg  
Pump - Type: Infinity HGS 50 - 0,37 kW/230 V

C



140008 **VELA 610** Capacity: 14 m<sup>3</sup>/h  
6-way valve 1½" - SIDE Filter charge: 125 kg  
Pump - Type: Infinity HGS 75 - 0,55 kW/230 V

C

140009 **VELA 765** Capacity: 23 m<sup>3</sup>/h  
6-way valve 2" - SIDE Filter charge: 225 kg  
Pump - Type: Infinity HGS 150 - 1,24 kW/230 V

C

CODE KÓD KODE	TYPE TYP TYP	DIAMETER PRŮMÉR DURCHMESSER	HEIGHT VÝŠKA HÖHE	CONNECTION PŘIPOJENÍ ANSCHLUSS	CAPACITY VÝKON DURCHFLUSS	PUMP ČERPADLO PUMPE	FILTER CHARGE FILTRAČNÍ NAPLNĚ SANDFÜLLUNG
140007	Ø520	520 mm	840 mm	6-WV 1½"	10 m <sup>3</sup> /h	HGS 50- 0,37kW/230V	100 kg
140008	Ø610	610 mm	850 mm	6-WV 1½"	14 m <sup>3</sup> /h	HGS 75- 0,55kW/230V	125 kg
140009	Ø765	765 mm	905 mm	6-WV 2"	23 m <sup>3</sup> /h	HGS 150- 1,24kW/230V	225 kg

**FILTRATION KIT EXTRA CHARGE**



# ***PUMPS & BLOWERS***





**PUMPS**

**Series I - STAR**

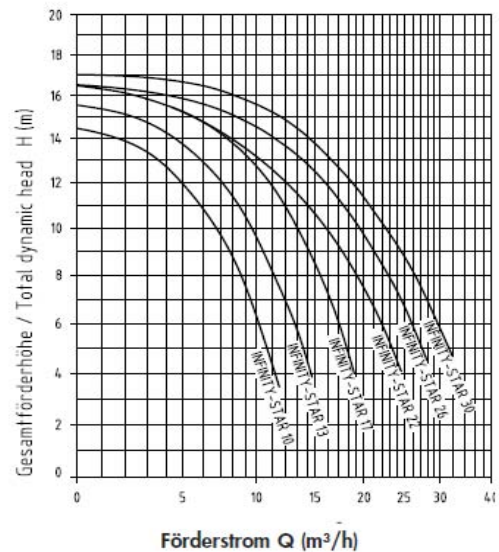
Self priming centrifugal pumps for swimming pool with prefilter

- Quiet operation
- Prefilter with specially constructed clear lid with ring lock design is easy to open
- Durability and quiet performance
- 5 years warranty

**5 years warranty**

			<b>Rabat Group</b>
230010	<b>Infinity i-Star 10</b>	Flow: 10 m <sup>3</sup> /h - 6 m.w.c.	A
230011	<b>Infinity i-Star 13</b>	Flow: 13 m <sup>3</sup> /h - 6 m.w.c.	A
230012	<b>Infinity i-Star 17</b>	Flow: 17 m <sup>3</sup> /h - 6 m.w.c.	A
230013	<b>Infinity i-Star 17</b>	Flow: 17 m <sup>3</sup> /h - 6 m.w.c.	A
230014	<b>Infinity i-Star 22</b>	Flow: 22 m <sup>3</sup> /h - 6 m.w.c.	A
230015	<b>Infinity i-Star 22</b>	Flow: 22 m <sup>3</sup> /h - 6 m.w.c.	A
230016	<b>Infinity i-Star 26</b>	Flow: 26 m <sup>3</sup> /h - 6 m.w.c.	A
230017	<b>Infinity i-Star 26</b>	Flow: 26 m <sup>3</sup> /h - 6 m.w.c.	A
230018	<b>Infinity i-Star 30</b>	Flow: 30 m <sup>3</sup> /h - 6 m.w.c.	A
	<b>Infinity i-Star 30</b>	Flow: 30 m <sup>3</sup> /h - 6 m.w.c.	A

**NEW**



CODE KÓD KODE	TYPE TYP TYP	FLOW / HEIGHT 6M PRŮTOK / VÝŠKA 6M DURCHFLOSS / HÖHE 6M	CONNECTION PŘIPOJENÍ ANSCHLUSS	MAX. POOL DIMENSION MAX. VELIKOST BAZÉNU MAXIMALE POOLGRÖßE	VOLTAGE NAPĚTÍ SPANNUNG
230010	Infinity i-Star 10	10 m <sup>3</sup> /h	Ø 50 mm (2")	40 m <sup>3</sup>	230 V
230011	Infinity i-Star 13	13 m <sup>3</sup> /h	Ø 50 mm (2")	52 m <sup>3</sup>	230 V
230012	Infinity i-Star 17	17 m <sup>3</sup> /h	Ø 63/50 mm (2")	68 m <sup>3</sup>	230 V
230013	Infinity i-Star 17	17 m <sup>3</sup> /h	Ø 63/50 mm (2")	68 m <sup>3</sup>	400 V
230014	Infinity i-Star 22	22 m <sup>3</sup> /h	Ø 63 mm (2")	88 m <sup>3</sup>	230 V
230015	Infinity i-Star 22	22 m <sup>3</sup> /h	Ø 63 mm (2")	88 m <sup>3</sup>	400 V
230016	Infinity i-Star 26	26 m <sup>3</sup> /h	Ø 63 mm (2")	104 m <sup>3</sup>	230 V
230017	Infinity i-Star 26	26 m <sup>3</sup> /h	Ø 63 mm (2")	104 m <sup>3</sup>	400 V
230018	Infinity i-Star 30	30 m <sup>3</sup> /h	Ø 63 mm (2")	120 m <sup>3</sup>	230 V
230019	Infinity i-Star 30	30 m <sup>3</sup> /h	Ø 63 mm (2")	120 m <sup>3</sup>	400 V

### Series Infinity MICRO

Small centrifugal pump with prefilter for filtration of small swimming pool and spas

- Pump with prefilter
- Engine: IP-55, 2800 r.p.m., 230V/50Hz



230004 **Infinity MICRO – 25**  
Volume: 0,02 m3 Weight: 6,8 kg

230005 **Infinity MICRO – 33**  
Volume: 0,02 m3 Weight: 7,0 kg

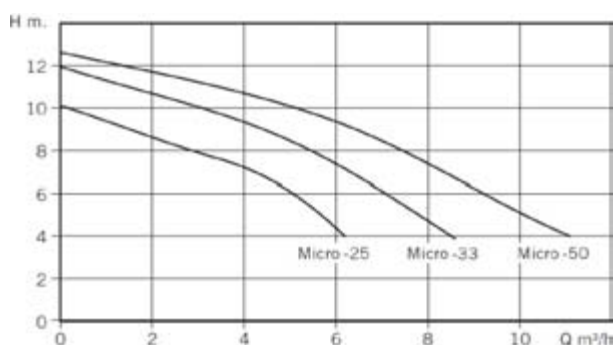
230006 **Infinity MICRO – 50**  
Volume: 0,02 m3 Weight: 7,4 kg

**Rabat Group**

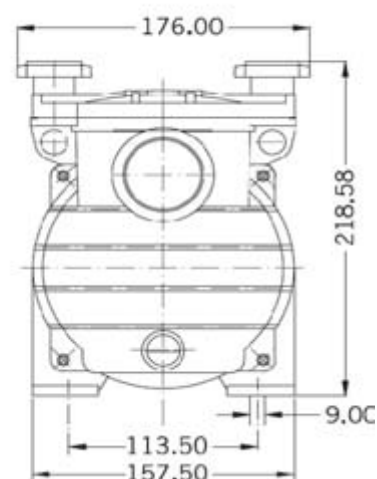
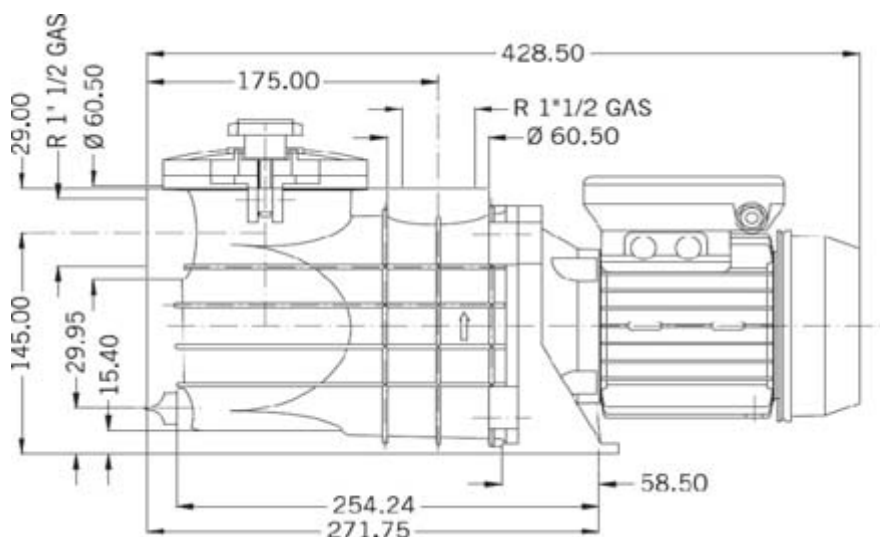
B

B

B



CODE KÓD KODE	TYPE TYP TYP	POWER PŘÍKON LEISTUNG	CONNECTION PŘÍPOJENÍ ANSCHLUSS	MANOMETRIC HEIGHT / VÝTLAČ. VÝŠKA / FÖRDERHÖHE [m]						
				FLOW / PRŮTOK / DURCHFLUSS [m³/h]						
				4	5	6	7	8	9	10
230004	Infinity MICRO - 25	1,8	1½" / 1½"	5,2	4,6	4,0	3,1	2,1	1,0	
230005	Infinity MICRO - 33	2,2	1½" / 1½"	8,2	7,5	6,8	6,0	5,0	3,7	2,3
230006	Infinity MICRO - 50	2,8	1½" / 1½"	11,0	10,6	10,0	8,8	7,5	5,7	4,0





## Series Infinity HGS

Self priming centrifugal pumps for swimming pool – high hydraulic efficiency, totally silent, simple, robust. Big prefilter with fast - opening transparent lid. One-piece body in durable, resistant, composite materials.

- High hydraulic efficiency
- Ultra quiet operation
- Simple, robust & compact
- One-piece body in durable resistant composite material
- Impeller and flange in noryl
- Big prefilter
- Innovative design with patented strainer basket
- Use: fresh water - sea water - treated water - brackish water
- The prefilter fast-opening translucent lid (bolt-down butterfly system)
- Motor IP 55 - class F - continuous rating 50 Hz. . Available 60 Hz model on demand.
- Stainless steel shaf



220060 **Infinity HGS50**  
Power: 0,5CV-HP/0,37 kw

220061 **Infinity HGS50**  
Power: 0,5CV-HP/0,37 kw

Phase: I Voltage: 220 V

**Rabat  
Group**

B

Phase: III Voltage: 380 V

B



220062 **Infinity HGS75**  
Power: 0,75CV-HP/0,55 kW

220063 **Infinity HGS75**  
Power: 0,75CV-HP/0,55 kW

Phase: I Voltage: 220 V

B

Phase: III Voltage: 380 V

B

220064 **Infinity HGS100**  
Power: 1 CV-HP/0,74 kW

220065 **Infinity HGS100**  
Power: 1 CV-HP/0,74 kW

Phase: I Voltage: 220 V

B

Phase: III Voltage: 380 V

B



220066 **Infinity HGS150**  
Power: 1,5 CV-HP/1,1 kW

220067 **Infinity HGS150**  
Power: 1,5 CV-HP/1,1 kW

Phase: I Voltage: 220 V

B

Phase: III Voltage: 380 V

B

220068 **Infinity HGS200**  
Power: 2 CV-HP/1,5 kW

220069 **Infinity HGS200**  
Power: 2 CV-HP/1,5 kW

Phase: I Voltage: 220 V

B

Phase: III Voltage: 380 V

B

220070 **Infinity HGS250**  
Power: 2,5 CV-HP/1,84 kW

220071 **Infinity HGS250**  
Power: 2,5 CV-HP/1,84 kW

Phase: I Voltage: 220 V

B

Phase: III Voltage: 380 V

B

220072 **Infinity HGS300**  
Power: 3 CV-HP/2,2 kW

220073 **Infinity HGS300**  
Power: 3 CV-HP/2,2 kW

Phase: I Voltage: 220 V

B

Phase: III Voltage: 380 V

B

220074 **Infinity HGS400**  
Power: 4 CV-HP/3 kW

220075 **Infinity HGS400**  
Power: 4 CV-HP/3 kW

Phase: I Voltage: 220 V

B

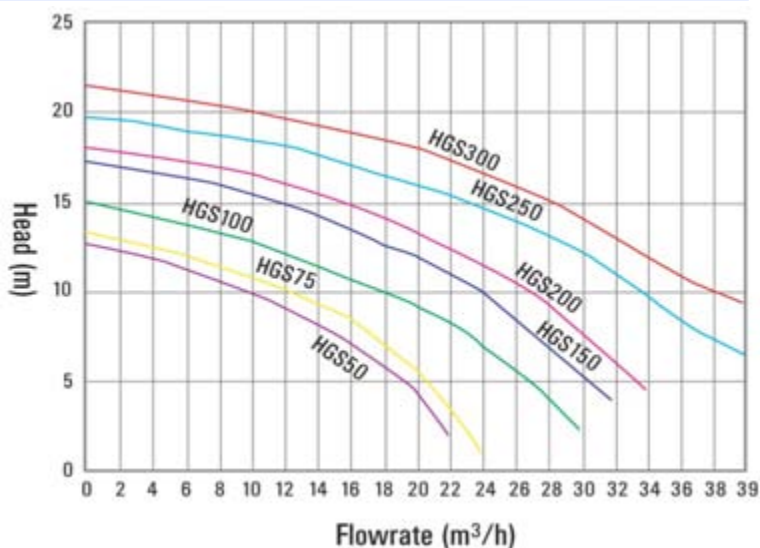
Phase: III Voltage: 380 V

B

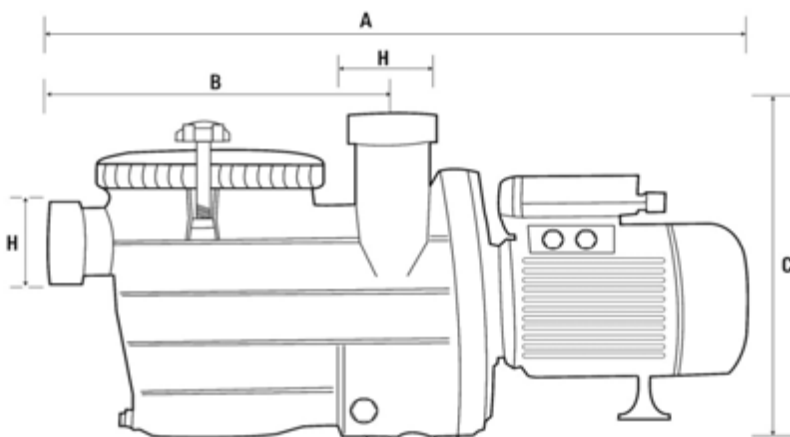
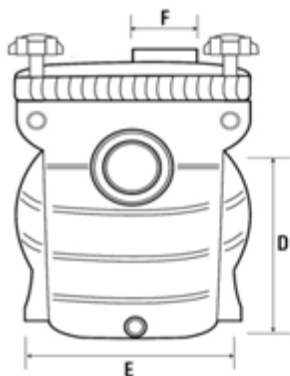


### Technical specifications HGS pumps:

CODE KÓD KODE	TYPE TYP TYP	POWER PŘÍKON LEISTUNG	MANOMETRIC HEIGHT / VÝTLAČ. VÝŠKA / FÖRDERHÖHE [m]									
			FLOW / PRŮTOK / DURCHFLUSS [m <sup>3</sup> /h]									
			4	6	8	10	11	12	14	15	16	
220060-220061	Infinity HGS50	0,37 kW - 0,50 HP	18,0	14,3	10,0	7,7	3,0					
220062-220063	Infinity HGS75	0,55 kW - 0,75 HP	19,5	17,0	13,0	10,0	6,0					
220064-220065	Infinity HGS100	0,74 kW - 1,00 HP	25,7	22,5	18,0	15,0	13,9	6,0	1,0			
220066-220067	Infinity HGS150	1,10 kW - 1,50 HP	29,0	26,5	24,0	22,0	20,0	15,5	12,0	8,0		
220068-220069	Infinity HGS200	1,50 kW - 2,00 HP	32,0	30,0	27,3	25,0	23,0	19,5	16,0	12,0		
220070-220071	Infinity HGS250	1,84 kW - 2,50 HP	40,0	37,0	33,0	32,0	31,5	26,0	23,0	20,0		
220072-220073	Infinity HGS300	2,20 kW - 3,00 HP	41,0	40,0	38,0	36,0	34,0	32,0	29,0	26,0		
220074-220075	Infinity HGS400	3,00 kW - 4,00 HP	52,0	47,0	44,0	42,0	36,0	32,0	28,0	22,0		



CODE KÓD KODE	TYPE TYP TYP	NET WEIGHT ČISTÁ HMOTNOST NETTOGEWICHT	GROSS WEIGHT CELK. HMOTNOST BRUTTOGEWICHT	DIMENSIONS / ROZMĚRY / ABMESSUNGEN						
				[mm]						
				A	B	C	D	E	F	H (Ø)
220060-220061	Infinity HGS50	12,5 kg	13,8 kg	569	280	282	173	179	71	Ø50
220062-220063	Infinity HGS75	12,5 kg	13,8 kg	569	280	282	173	179	71	Ø50
220064-220065	Infinity HGS100	12,5 kg	13,8 kg	569	280	282	173	179	71	Ø50
220066-220067	Infinity HGS150	12,5 kg	13,8 kg	569	280	282	173	179	71	Ø63
220068-220069	Infinity HGS200	13,5 kg	15,0 kg	569	280	282	173	179	71	Ø63
220070-220071	Infinity HGS250	16,2 kg	17,5 kg	578	280	282	173	179	71	Ø63
220072-220073	Infinity HGS300	16,2 kg	17,5 kg	578	280	282	173	179	71	Ø63
220074-220075	Infinity HGS400	19,7 kg	20,9 kg	630	280	282	173	179	71	Ø63



## Series Infinity HPS

Self priming centrifugal pumps for swimming pool – high hydraulic efficiency, totally silent, simple, robust. Smaller prefilter with fast – opening transparent lid. One-piece body in durable, resistant composite

- High hydraulic efficiency
- Ultra quiet operation
- Simple, robust & compact
- One-piece body in durable resistant composite material
- Impeller and flange in noryl
- Smaller prefilter
- Innovative design with patented strainer basket
- Use: fresh water - sea water - treated water - brackish water
- The prefilter fast-opening translucent lid (bolt-down butterfly system)
- Motor IP 55 - class F - continuous rating 50 Hz.. Available 60 Hz model on demand.
- Stainless steel shaf



220048 **Infinity HPS25**  
Power: 0,25CV-HP/0,19 kw

Phase: I Voltage: 220 V

**Rabat  
Group**

B

220049 **Infinity HPS33**  
Power: 0,33CV-HP/0,24 kw

Phase: I Voltage: 220 V

B

220050 **Infinity HPS33**  
Power: 0,33CV-HP/0,24 kw

Phase: III Voltage: 380 V

B



220051 **Infinity HPS50**  
Power: 0,5CV-HP/0,37 kw

Phase: I Voltage: 220 V

B

220052 **Infinity HPS50**  
Power: 0,5CV-HP/0,37 kw

Phase: III Voltage: 380 V

B



220053 **Infinity HPS75**  
Power: 0,75CV-HP/0,55 kw

Phase: I Voltage: 220 V

B

220054 **Infinity HPS75**  
Power: 0,75CV-HP/0,55 kw

Phase: III Voltage: 380 V

B

220055 **Infinity HPS100**  
Power: 1CV-HP/0,74 kw

Phase: I Voltage: 220 V

B

220056 **Infinity HPS100**  
Power: 1CV-HP/0,74 kw

Phase: III Voltage: 380 V

B

220057 **Infinity HPS150**  
Power: 1,5 CV-HP/1,1 kw

Phase: I Voltage: 220 V

B

220058 **Infinity HPS150**  
Power: 1,5 CV-HP/1,1 kw

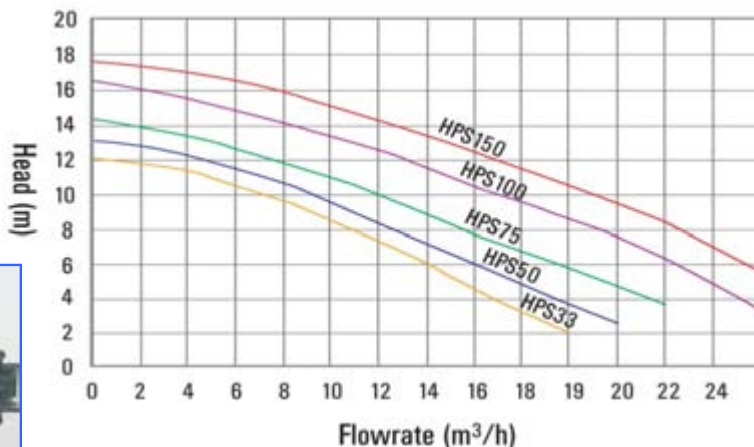
Phase: III Voltage: 380 V

B

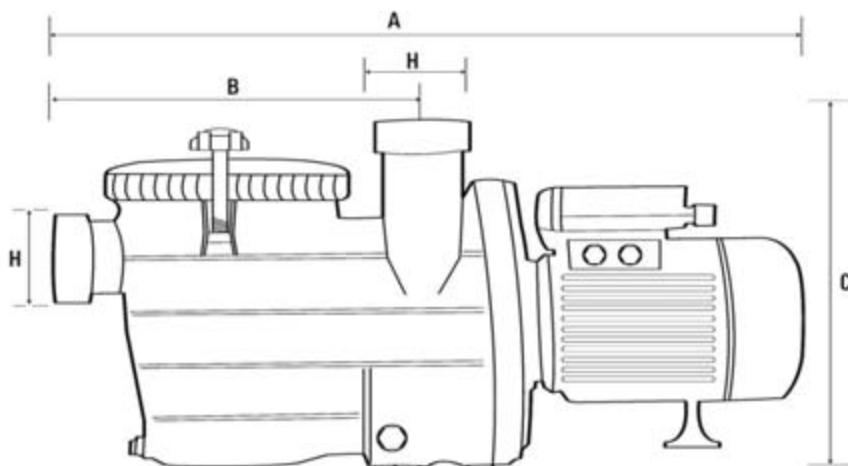
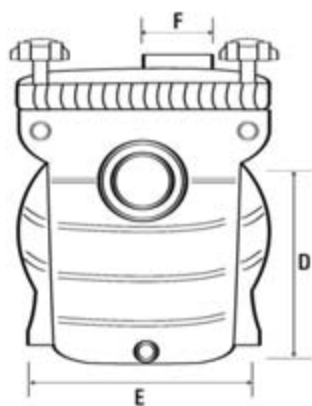


### Technical specifications HGS pumps:

CODE KÓD KODE	TYPE TYP TYP	POWER PŘÍKON LEISTUNG	MANOMETRIC HEIGHT / VÝTLAČ. VÝŠKA / FÖRDERHÖHE [m]							
			FLOW / PRŮTOK / DURCHFLOSS [m <sup>3</sup> /h]							
			4	6	8	10	11	12	14	16
220048	Infinity HPS25	0,18 kW - 0,25 HP	12,5	9,5	6,3	4,0				
220049-220050	Infinity HPS33	0,24 kW - 0,33 HP	14,0	11,0	7,0	4,0				
220051-220052	Infinity HPS50	0,37 kW - 0,50 HP	16,0	12,0	9,0	7,0	4,2			
220053-220054	Infinity HPS75	0,55 kW - 0,75 HP	18,5	15,0	12,0	10,0	7,5	2,0		
220055-220056	Infinity HPS100	0,74 kW - 1,00 HP	22,0	19,5	17,0	15,0	13,0	8,0	2,0	
220057-220058	Infinity HPS150	1,10 kW - 1,50 HP	25,0	22,0	19,5	18,5	17,5	12,0	7,0	



CODE KÓD KODE	TYPE TYP TYP	NET WEIGHT ČISTÁ HMOTNOST NETTOGEWICHT	GROSS WEIGHT CELK. HMOTNOST BRUTTOGEWICHT	DIMENSIONS / ROZMĚRY / ABMESSUNGEN						
				[mm]						
				A	B	C	D	E	F	H (Ø)
220048	Infinity HPS25	8,0 kg	9,0 kg	474	219	236	147	137	58	Ø50
220049-220050	Infinity HPS33	8,5 kg	9,5 kg	474	219	236	147	137	58	Ø50
220051-220052	Infinity HPS50	8,5 kg	9,5 kg	474	219	236	147	137	58	Ø50
220053-220054	Infinity HPS75	8,5 kg	9,5 kg	474	219	236	147	137	58	Ø50
220055-220056	Infinity HPS100	11,5 kg	12,5 kg	500	219	236	147	137	58	Ø50
220057-220058	Infinity HPS150	11,5 kg	12,5 kg	500	219	236	147	137	58	Ø50





## Series HA

### Centrifugal pump for up stream equipment, spas, etc.

Centrifugal pumps for up stream equipment, spas, etc. Thermosetting plastics hydraulic body. Impeller and flange in noryl charged fiber glass. Motor: IP 54 protection, isolation class F 50 Hz, 2850 r.p.m..  
 Employment limit: water temperature 60 °C. Maximal pressure 3,0 bar.

- Centrifugal pumps with thermoplastic injected body
- Impeller and flange in noryl charged with fiber glass
- Pump is not equipped with a prefilter
- Motor IP 54, isolation class F, 50 Hz., 2850 r.p.m.
- Max. working pressure: 3 bar
- **Max. employment limit water temperature : 60 °C**

#### Rabat Group



210111	<b>HA250</b>	Phase: I Flow: 44 m3/h - 10 m.w.c.	Volumen: 0,076 m3 Weight: 20,8 kg	A
210112	<b>HA250</b>	Phase: III Flow: 44 m3/h - 10 m.w.c.	Volumen: 0,076 m3 Weight: 20,8 kg	A
210131	<b>HA300</b>	Phase: I Flow: 48 m3/h - 10 m.w.c.	Volumen: 0,076 m3 Weight: 21,5 kg	A
210113	<b>HA300</b>	Phase: III Flow: 48 m3/h - 10 m.w.c.	<b>Volumen: 0,076 m<sup>3</sup></b> Weight: 21,5 kg	A
210114	<b>HA350</b>	Phase: III Flow: 63 m3/h - 10 m.w.c.	Volumen: 0,076 m3 Weight: 24,8 kg	A
210115	<b>HA450</b>	Phase: III Flow: 67 m3/h - 10 m.w.c.	Volumen: 0,076 m3 Weight: 26,8 kg	A

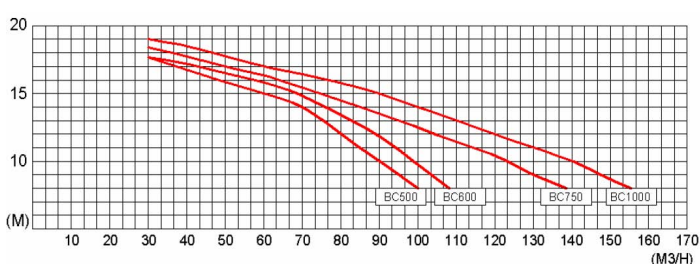
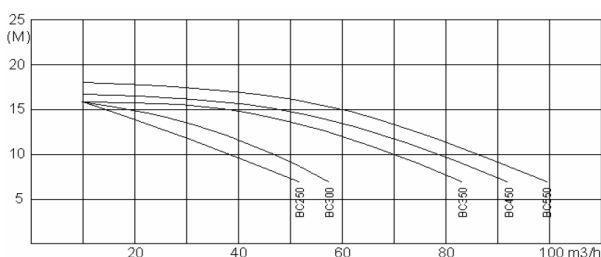


210123	<b>HA500</b>	Phase: III Flow: 74 m3/h - 12 m.w.c.	Volumen: 0,125 m3 Weight: 37,0 kg	A
210124	<b>HA600</b>	Phase: III Flow: 88,5 m3/h - 12 m.w.c.	Volumen: 0,125 m3 Weight: 38,0 kg	A
210125	<b>HA750</b>	Phase: III Flow: 104 m3/h - 12 m.w.c.	Volumen: 0,125 m3 Weight: 44,0 kg	A
210126	<b>HA1000</b>	Phase: III Flow: 120 m3/h - 12 m.w.c.	Volumen: 0,125 m3 Weight: 53,0 kg	A
210131	<b>HA1250</b>	Phase: III Flow: 131 m3/h - 12 m.w.c.	Volumen: 0,125 m3 Weight: 75,0 kg	A



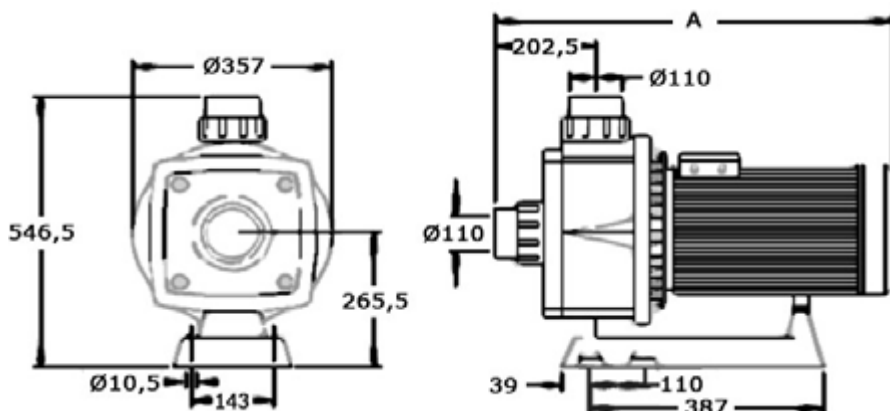
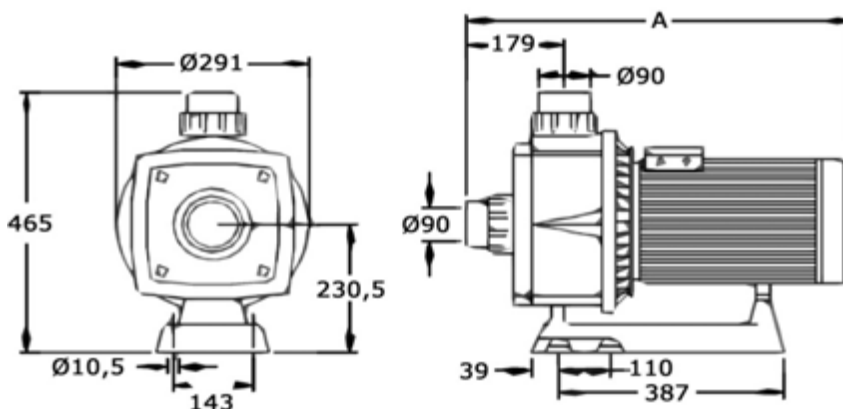
### Technical specifications HA pumps:

CODE KÓD KODE	TYPE TYP TYP	POWER PŘÍKON LEISTUNG	PHASE - VOLTAGE FÁZE - NAPĚTÍ PHASE - SPANNUNG	FLOW PRŮTOK DURCHFLOß	DIMENSIONS / ROZMĚRY ABMESSUNGEN [ mm ]	
					A	CONNECTION
210111	HA250 M	2,30 kW - 2,5 HP	I - 230V	44 m³/h at 10 m.w.c.	540	Ø 90
210112	HA250 T	2,30 kW - 2,5 HP	III - 230/400V	44 m³/h at 10 m.w.c.	540	Ø 90
210131	HA300 M	2,76 kW - 3,0 HP	I - 230V	48 m³/h at 10 m.w.c.	540	Ø 90
210113	HA300 T	2,76 kW - 3,0 HP	III - 230/400V	48 m³/h at 10 m.w.c.	540	Ø 90
210114	HA350 T	3,26 kW - 3,5 HP	III - 230/400V	63 m³/h at 10 m.w.c.	581	Ø 90
210115	HA450 T	4,04 kW - 4,5 HP	III - 230/400V	67 m³/h at 10 m.w.c.	581	Ø 90
210123	HA500 T	4,71 kW - 5,5 HP	III - (*230)/400/700V	74 m³/h at 12 m.w.c.	626	Ø 110
210124	HA600 T	5,75 kW - 6,5 HP	III - 400/700V	88,5 m³/h at 12 m.w.c.	626	Ø 110
210125	HA750 T	7,00 kW - 7,5 HP	III - 400/700V	104 m³/h at 12 m.w.c.	671	Ø 110
210126	HA1000 T	8,70 kW - 10,0 HP	III - 400/700V	120 m³/h at 12 m.w.c.	701	Ø 110
210131	HA1250 T	10,20 kW - 12,5 HP	III - 400/700V	131 m³/h at 12 m.w.c.	701	Ø 110



#### Dimensions pumps ▶

- HA250 M
- HA250 T
- HA300 M
- HA300 T
- HA450 T



#### ◀ Dimensions pumps

- HA500 T
- HA600 T
- HA750 T
- HA1000 T
- HA1250 T

## Series HAF

Self priming centrifugal pumps for swimming pool. High capacity pre-filter 8L. Lowerable cover screws with stainless steel studs. Thermosetting plastics hydraulic body. Impeller and flange in noryl charged fiber glass.

- Centrifugal pumps with thermoplastic injected body
- Impeller and flange in noryl charged with fiber glass
- High capacity pre-filter 8 or 14 liters
- Prefilter lid in transparent polycarbonate. The closing of the lid is made by four hinged cover-screws with stainless steel studs.
- Motor protection: IP 54, Isolation class F. 50 Hz (60 Hz pumps available under request) 2850 r.p.m.
- Max. working pressure: 3 bar
- Max. employment limit water temperature : 60°C



210117	<b>HAF250</b>	Phase: I Flow: 41 m3/h - 10 m.w.c.	Volumen: 0,137 m3 Weight: 25,5 kg	<b>Rabat Group</b> A
210118	<b>HAF250</b>	Phase: III Flow: 41 m3/h - 10 m.w.c.	Volumen: 0,137 m3 Weight: 25,5 kg	A
210132	<b>HAF300</b>	Phase: I Flow: 48 m3/h - 10 m.w.c.	Volumen: 0,137 m3 Weight: 26,2 kg	A
210119	<b>HAF300</b>	Phase: III Flow: 48 m3/h - 10 m.w.c.	Volumen: 0,137 m3 Weight: 26,2 kg	A
210120	<b>HAF350</b>	Phase: III Flow: 58 m3/h - 10 m.w.c.	Volumen: 0,137 m3 Weight: 28,5 kg	A
210121	<b>HAF450</b>	Phase: III Flow: 66 m3/h - 10 m.w.c.	Volumen: 0,137 m3 Weight: 30,5 kg	A

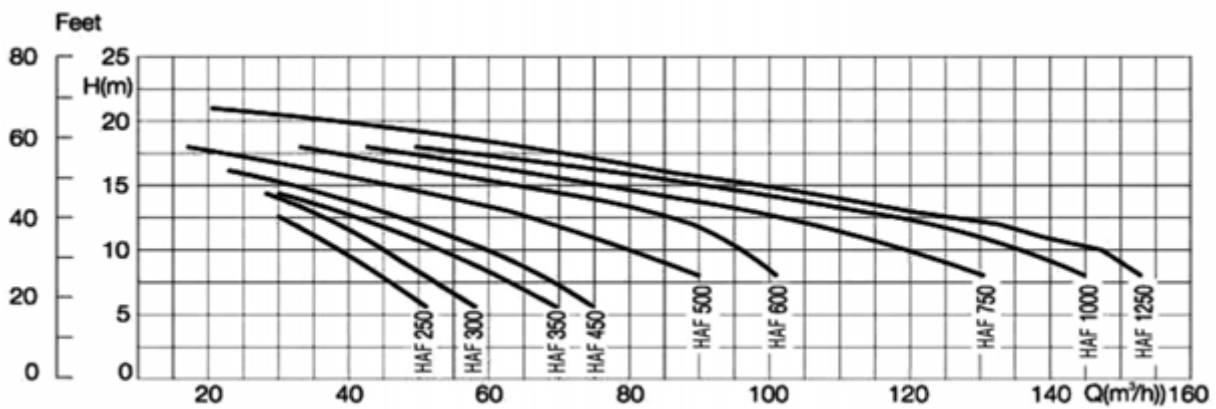


210127	<b>HAF500</b>	Phase: III Flow: 64 m3/h - 12 m.w.c.	Volumen: 0,211 m3 Weight: 45,0 kg	A
210128	<b>HAF600</b>	Phase: III Flow: 84,2 m3/h - 12 m.w.c.	Volumen: 0,211 m3 Weight: 46,0 kg	A
210129	<b>HAF750</b>	Phase: III Flow: 104,5 m3/h - 12 m.w.c.	Volumen: 0,211 m3 Weight: 52,0 kg	A
210130	<b>HAF1000</b>	Phase: III Flow: 115,6 m3/h - 12 m.w.c.	Volumen: 0,211 m3 Weight: 66,0 kg	A
210132	<b>HAF1250</b>	Phase: III Flow: 124,5 m3/h - 12 m.w.c.	Volumen: 0,211 m3 Weight: 76,0 kg	A



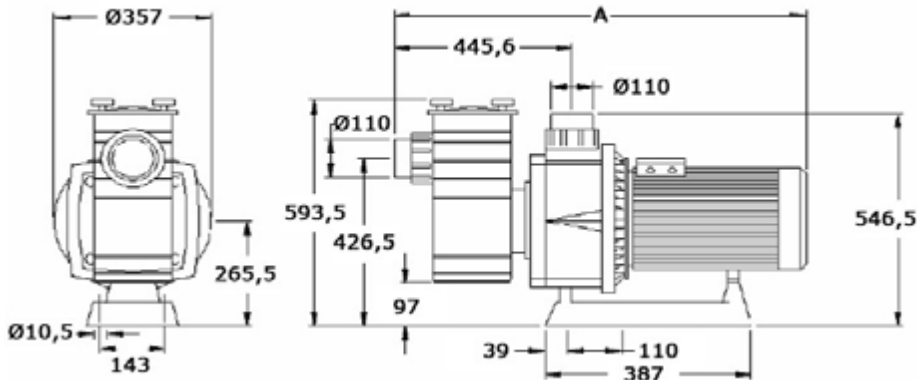
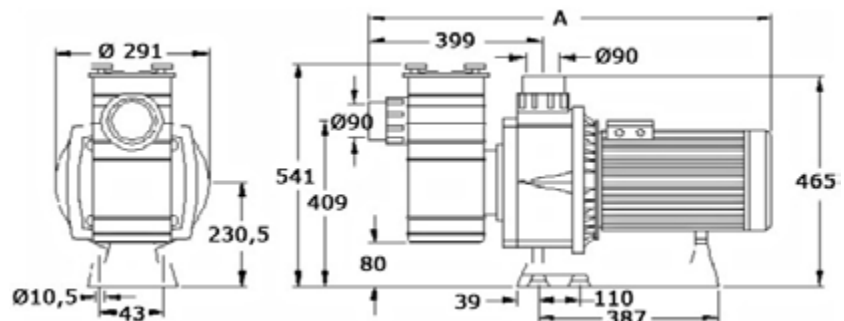
### Technical specifications HAF pumps:

CODE KÓD KODE	TYPE TYP TYP	POWER PŘÍKON LEISTUNG	PHASE - VOLTAGE	FLOW PRŮTOK DURCHFLOß	DIMENSIONS / ROZMĚRY	
			FÁZE - NAPĚTÍ		ABMESSUNGEN [ mm ]	
			PHASE - SPANNUNG		A	CONNECTION
210117	HAF250 M	2,30 kW - 2,5 HP	I - 230V	41 m <sup>3</sup> /h at 10 m.w.c.	760	Ø 90
210118	HAF250 T	2,30 kW - 2,5 HP	III - 230/400V	41 m <sup>3</sup> /h at 10 m.w.c.	760	Ø 90
210132	HAF300 M	2,76 kW - 3,0 HP	I - 230V	48 m <sup>3</sup> /h at 10 m.w.c.	760	Ø 90
210119	HAF300 T	2,76 kW - 3,0 HP	III - 230/400V	48 m <sup>3</sup> /h at 10 m.w.c.	760	Ø 90
210120	HAF350 T	3,26 kW - 3,5 HP	III - 230/400V	58 m <sup>3</sup> /h at 10 m.w.c.	801	Ø 90
210121	HAF450 T	4,04 kW - 4,5 HP	III - 230/400V	66 m <sup>3</sup> /h at 10 m.w.c.	801	Ø 90
210127	HAF500 T	4,71 kW - 5,5 HP	III - (*230)/400/700V	64 m <sup>3</sup> /h at 12 m.w.c.	869	Ø 110
210128	HAF600 T	5,75 kW - 6,5 HP	III - 400/700V	84,2 m <sup>3</sup> /h at 12 m.w.c.	869	Ø 110
210129	HAF750 T	7,00 kW - 7,5 HP	III - 400/700V	104,5 m <sup>3</sup> /h at 12 m.w.c.	914	Ø 110
210130	HAF1000 T	8,70 kW - 10,0 HP	III - 400/700V	115,6 m <sup>3</sup> /h at 12 m.w.c.	944	Ø 110
210132	HAF1250 T	10,20 kW - 12,5 HP	III - 400/700V	124,5 m <sup>3</sup> /h at 12 m.w.c.	984	Ø 110



#### Dimensions pumps ▶

- HAF250 M
- HAF250 T
- HAF300 M
- HAF300 T
- HAF450 T



#### ◀ Dimensions pumps

- HAF500 T
- HAF600 T
- HAF750 T
- HAF1000 T
- HAF1250 T



## Series F-GIANT-N – 2850 r.p.m.

Giant is a centrifugal swimming pool pump. These electrical pumps have been designed for recirculating of clean slightly treated water in private or public swimming pools none containing abrasive or aggressive substances. This pump is fitted with a high capacity pre-filter with easy handled stainless steel basket. On demand - mechanical seal for a use with sea water.

- Centrifugal pumps as the volute of Giant pumps is made of PP 30% fibreglass
- Shaft: SS AISI 303
- Impeller closed type; made of bronze / Al
- Pump housing + prefilter: PP+30% fibreglass
- Prefilter basket: AISI 304
- High capacity pre-filter
- Mechanical seal type: Carbon + resin - Ceramics.
- All phase III
- Ball bearing 2Z: Armoured and permanently lubricated
- Motor protection: IP 55, Isolation class F. 50Hz. (On demand 60 Hz)., 2850 r.p.m.
- Max. pressure: 2,3 bar
- Operation water temperature : 4°C to 40°C
- Temperature of ambience: 4°C to 40°C

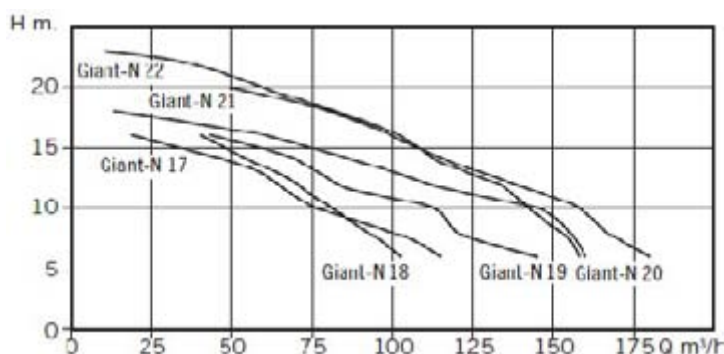
				<b>Rabat Group</b>
210201	<b>F-GIANT-N 17</b>	Power: 4 HP Connection flange entry/exit: 100/100 DN	230/400 V Weight: 28 kg	A
210202	<b>F-GIANT-N 18</b>	Power: 5,5 HP Connection flange entry/exit: 100/100 DN	230/400 V Weight: 37,4 kg	A
210203	<b>F-GIANT-N 18</b>	Power: 5,5 HP Connection flange entry/exit: 100/100 DN	400/700 V Weight: 37,4 kg	A
210204	<b>F-GIANT-N 19</b>	Power: 5,5 HP Connection flange entry/exit: 125/100 DN	230/400 V Weight: 50,7 kg	A
210205	<b>F-GIANT-N 19</b>	Power: 5,5 HP Connection flange entry/exit: 125/100 DN	400/700 V Weight: 50,7 kg	A
210206	<b>F-GIANT-N 20</b>	Power: 7,5 HP Connection flange entry/exit: 125/100 DN	230/400 V Weight: 59 kg	A
210207	<b>F-GIANT-N 20</b>	Power: 7,5 HP Connection flange entry/exit: 125/100 DN	400/700 V Weight: 59 kg	A
210208	<b>F-GIANT-N 21</b>	Power: 10 HP Connection flange entry/exit: 125/100 DN	230/400 V Weight: 64,5 kg	A
210209	<b>F-GIANT-N 21</b>	Power: 10 HP Connection flange entry/exit: 125/100 DN	400/700 V Weight: 4,51 kg	A
210210	<b>F-GIANT-N 22</b>	Power: 12,5 HP Connection flange entry/exit: 125/100 DN	230/400 V Weight: 73,5 kg	A
210211	<b>F-GIANT-N 22</b>	Power: 12,5 HP Connection flange entry/exit: 125/100 DN	400/700 V Weight: 73,5 kg	A

**In order to avoid possible damages during transportation, the pumps will be invoiced and delivered in 3 separate packs- F-GIANT+ Prefilter +Coupling set !**

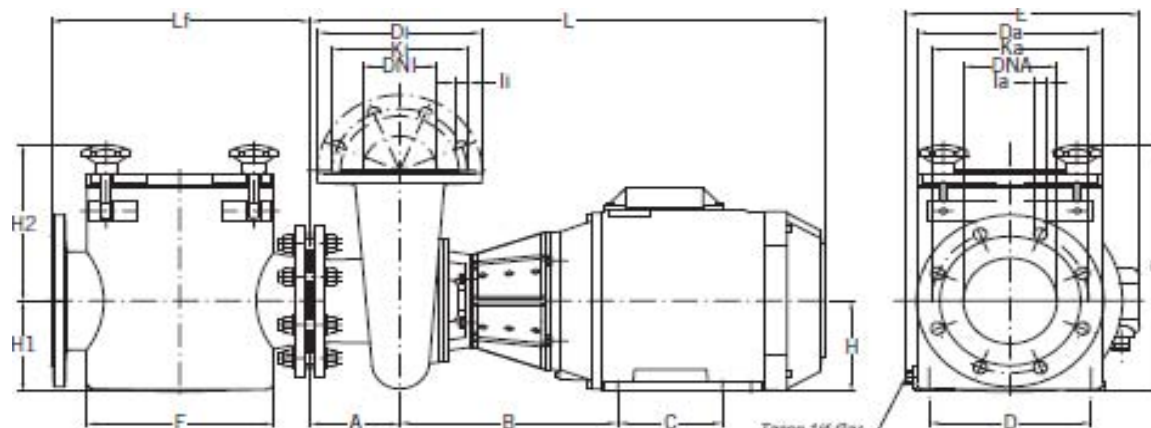


### Technical specifications F-GIANT-N 2850 r.p.m.pumps:

CODE KÓD KODE	TYPE TYP TYP	POWER PŘÍKON LEISTUNG	III		III		MANOMETRIC HEIGHT / VÝTLAČ. VÝŠKA / FÖRDERHÖHE [m]									
			230 / 400V	400/700V	A	A	6	8	10	12	14	16	18	20	22	23
210201	F-GIANT-N 17	4,0 HP	11,1	6,4	-	114,8	99,1	76,5	64,4	47,2	18,6	-	-	-	-	-
210202	F-GIANT-N 18	5,5 HP	11,6	6,7	-	102,7	93,4	81,4	69,7	55,9	39,2	-	-	-	-	-
210203	F-GIANT-N 18	5,5 HP	-	-	6,7	102,7	93,4	81,4	69,7	55,9	39,2	-	-	-	-	-
210204	F-GIANT-N 19	5,5 HP	14,2	8,2	-	145,6	120,1	113,7	82,3	59,0	-	-	-	-	-	-
210205	F-GIANT-N 19	5,5 HP	-	-	8,2	145,6	120,1	113,7	82,3	59,0	-	-	-	-	-	-
210206	F-GIANT-N 20	7,5 HP	18,0	10,4	-	159,3	155,7	145,1	110,9	88,7	60,2	13,6	-	-	-	-
210207	F-GIANT-N 20	7,5 HP	-	-	10,4	159,3	155,7	145,1	110,9	88,7	60,2	13,6	-	-	-	-
210208	F-GIANT-N 21	10,0 HP	22,1	12,8	-	179,0	166,4	158,6	137,0	116,3	98,8	79,0	49,8	-	-	-
210209	F-GIANT-N 21	10,0 HP	-	-	12,8	179,0	166,4	158,6	137,0	116,3	98,8	79,0	49,8	-	-	-
210210	F-GIANT-N 22	12,5 HP	26,1	15,1	-	158,6	150,3	142,8	133,0	114,4	106,6	81,8	59,4	36,1	10,4	-
210211	F-GIANT-N 22	12,5 HP	-	-	15,1	158,6	150,3	142,8	133,0	114,4	106,6	81,8	59,4	36,1	10,4	-



CODE KÓD KODE	TYPE TYP TYP	DIMENSIONS / ROZMĚRY / ABMESSUNGEN																
		[mm]																
		Da	Ka	la	DI	KI	II	N°tal.	A	B	C	D	E	F	G	H	L	Lf
210201	F-GIANT-N 17	220	180	18	220	180	19	8	120	196	-	190	275	250	347	132	584	347
210202(3)	F-GIANT-N 18	220	180	18	220	180	19	8	120	196	-	190	275	250	347	132	606	347
210204(5)	F-GIANT-N 19	250	210	18	220	180	19	8	120	196	-	190	275	250	347	132	606	347
210206(7)	F-GIANT-N 20	250	210	18	220	180	19	8	120	292	140	216	312	250	360	132	724	347
210208(9)	F-GIANT-N 21	250	210	18	220	180	19	8	120	292	140	216	312	250	360	132	724	347
210210(11)	F-GIANT-N 22	250	210	18	220	180	19	8	120	292	140	216	312	250	360	132	724	347



## Series GIANT-N – 2850 r.p.m.

Giant is a centrifugal swimming pool pump. These electrical pumps have been designed for recirculating of clean slightly treated water in private or public swimming pools none containing abrasive or aggressive substances.

On demand - mechanical seal for a use with sea water.

- Centrifugal pumps as the volute of Giant pumps is made of PP 30% fibreglass
- Shaft: SS AISI 303
- Impeller closed type; made of bronze / Al
- Pump housing: PP+30% fibreglass
- Mechanical seal type: Carbon+ resin-Ceram.
- **Without prefilter**
- Ball bearing 2Z: Armoured and permanently lubricated
- Motor protection: IP 55, Isolation class F. 50Hz. (On demand 60 Hz)., 2850 r.p.m.
- Max. pressure: 2,3 bar
- **Operation water temperature : 4°C to 40°C**
- **Temperature of ambience: 4°C to 40°C**

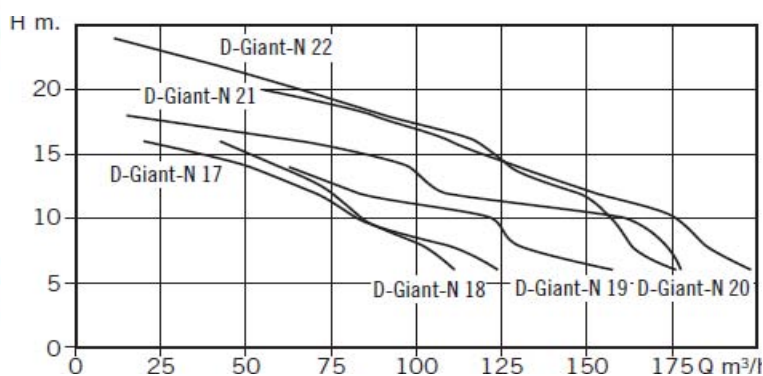
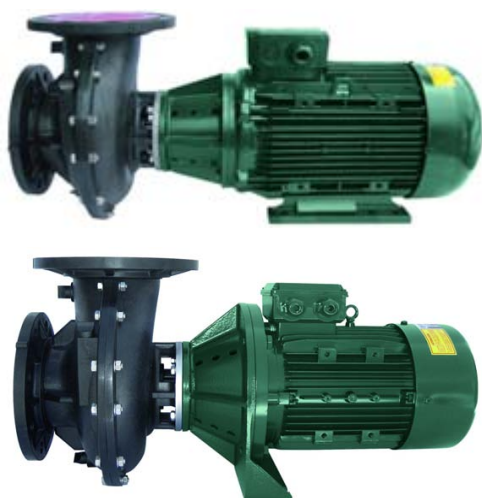
				<b>Rabat Group</b>
210212	<b>GIANT-N 17</b>	Power: 4 HP Connection flange entry/exit: 100/100 DN	230/400 V Weight: 24 kg	A
210213	<b>GIANT-N 18</b>	Power: 5,5 HP Connection flange entry/exit: 100/100 DN	230/400 V Weight: 32,5 kg	A
210214	<b>GIANT-N 18</b>	Power: 5,5 HP Connection flange entry/exit: 100/100 DN	400/700 V Weight: 32,5 kg	A
210215	<b>GIANT-N 19</b>	Power: 5,5 HP Connection flange entry/exit: 125/100 DN	230/400 V Weight: 45,8 kg	A
210216	<b>GIANT-N 19</b>	Power: 5,5 HP Connection flange entry/exit: 125/100 DN	400/700 V Weight: 45,8 kg	A
210217	<b>GIANT-N 20</b>	Power: 7,5 HP Connection flange entry/exit: 125/100 DN	230/400 V Weight: 55,5 kg	A
210218	<b>GIANT-N 20</b>	Power: 7,5 HP Connection flange entry/exit: 125/100 DN	400/700 V Weight: 55,5 kg	A
210219	<b>GIANT-N 21</b>	Power: 10 HP Connection flange entry/exit: 125/100 DN	230/400 V Weight: 61 kg	A
210220	<b>GIANT-N 21</b>	Power: 10 HP Connection flange entry/exit: 125/100 DN	400/700 V Weight: 61 kg	A
210221	<b>GIANT-N 22</b>	Power: 12,5 HP Connection flange entry/exit: 125/100 DN	230/400 V Weight: 70 kg	A
210222	<b>GIANT-N 22</b>	Power: 12,5 HP Connection flange entry/exit: 125/100 DN	400/700 V Weight: 70 kg	A



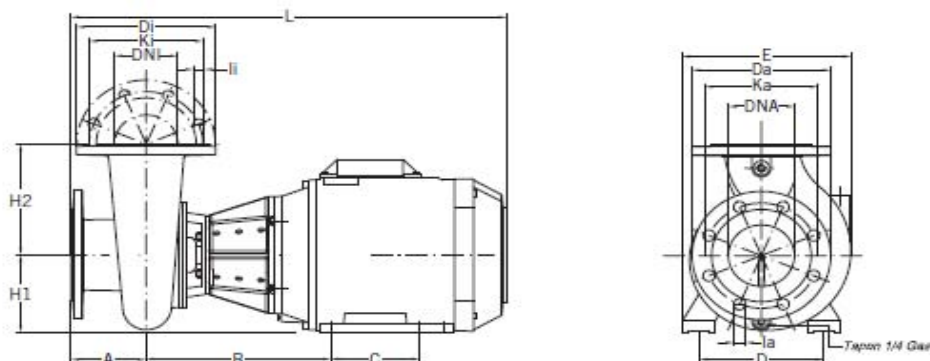


### Technical specifications GIANT-N 2850 r.p.m.pumps:

CODE KÓD KODE	TYPE TYP TYP	POWER PŘÍKON LEISTUNG	III		III		MANOMETRIC HEIGHT / VÝTLAČ. VÝŠKA / FÖRDERHÖHE [m]								
			230 / 400V	400/700V	400/700V	6	FLOW / PRŮTOK / DURCHFLUSS [m³/h]								
			A	A	A	6	8	10	12	14	16	18	20	22	23
210212	GIANT-N 17	4,0 HP	11,1	6,4	-	124,8	107,7	83,2	70,0	51,3	20,2	-	-	-	-
210213	GIANT-N 18	5,5 HP	11,6	6,7	-	111,6	101,5	88,5	75,8	60,8	42,6	-	-	-	-
210214	GIANT-N 18	5,5 HP	-	-	6,7	111,6	101,5	88,5	75,8	60,8	42,6	-	-	-	-
210215	GIANT-N 19	5,5 HP	14,2	8,2	-	157,1	129,6	122,7	88,8	63,7	-	-	-	-	-
210216	GIANT-N 19	5,5 HP	-	-	8,2	157,1	129,6	122,7	88,8	63,7	-	-	-	-	-
210217	GIANT-N 20	7,5 HP	18,0	10,4	-	177,0	173,0	161,2	123,2	98,5	66,9	15,1	-	-	-
210218	GIANT-N 20	7,5 HP	-	-	10,4	177,0	173,0	161,2	123,2	98,5	66,9	15,1	-	-	-
210219	GIANT-N 21	10,0 HP	22,1	12,8	-	198,8	184,8	176,2	152,2	152,2	109,8	87,7	55,3	-	-
210221	GIANT-N 21	10,0 HP	-	-	12,8	198,8	184,8	176,2	152,2	152,2	109,8	87,7	55,3	-	-
210222	GIANT-N 22	12,5 HP	26,1	15,1	-	176,2	167,0	158,6	147,7	127,1	118,4	90,9	66,0	40,1	11,6
210223	GIANT-N 22	12,5 HP	-	-	15,1	176,2	167,0	158,6	147,7	127,1	118,4	90,9	66,0	40,1	11,6



CODE KÓD KODE	TYPE TYP TYP	DIMENSIONS / ROZMĚRY / ABMESSUNGEN														
		[mm]														
		Da	Ka	Ia	Di	Ki	II	N°tal.	A	B	C	D	E	H1	H2	L
210212	GIANT-N 17	220	180	19	220	180	19	8	120	196	-	190	267	132	190	584
210213(14)	GIANT-N 18	220	180	19	220	180	19	8	120	196	-	190	267	132	190	606
210215(16)	GIANT-N 19	220	180	19	220	180	19	8	120	196	-	190	267	132	190	606
210217(18)	GIANT-N 20	220	180	19	220	180	19	8	120	292	140	216	273	132	190	724
210219(20)	GIANT-N 21	220	180	19	220	180	19	8	120	292	140	216	273	132	190	724
210221(22)	GIANT-N 22	220	180	19	220	180	19	8	120	292	140	216	273	132	190	724





## Series Infinity FDN – 2850 r.p.m.

The FDN is a centrifugal swimming pool pump. The FD series is a swimming pool pump designed for higher filtering and water treatment performance in public swimming baths. It has a large volume iron prefilter adapted, with a stainless steel basket, which is easy to access for cleaning, also available in bronze upon request. On demand - mechanical seal for a use with sea water.

- Pump body made of Cast Iron. Bronze on demand
- Shaft: SS AISI 304
- Impeller: Bronze (FD-17/18/19/20/21/22)
- Impeller: Brass (FD-14/15/16)
- Prefilter basket: SS AISI 304
- High capacity prefilter
- Mechanical seal type: Carbon + resin - Ceramics
- Amoured ball bearing
- Motor protection: IP 55, Isolation class F. 50Hz, 2850 r.p.m.
- Max. pressure: 2,1 bar
- Operation water temperature : 4°C to 40°C
- Temperature of ambience: 4°C to 40°C
- All phase III

### CAST IRON

### Rabat Group



210001	<b>FDN-14</b>	Power: 2 HP Connection flange entry/exit: 80/R2" DN	230/400/700 V Weight: 50 kg Volume: 0,06 m3/h	A
210002	<b>FDN-15</b>	Power: 3 HP Connection flange entry/exit: 80/R2" DN	230/400/700 V Weight: 51,5 kg Volume: 0,06 m3/h	A
210003	<b>FDN-16</b>	Power: 4 HP Connection flange entry/exit: 80/R2" DN	230/400/700 V Weight: 55,5 kg Volume: 0,07 m3/h	A
210004	<b>FDN-17</b>	Power: 4 HP Connection flange entry/exit: 100/100 DN	230/400/700 V Weight: 64 kg Volume: 0,08 m3/h	A
210005	<b>FDN-18</b>	Power: 5,5 HP Connection flange entry/exit: 100/100 DN	230/400/700 V Weight: 72,8 kg Volume: 0,074 m3/h	A
210006	<b>FDN-19</b>	Power: 5,5 HP Connection flange entry/exit: 125/100 DN	230/400/700 V Weight: 85,8 kg Volume: 0,087 m3/h	A
210007	<b>FDN-20</b>	Power: 7,5 HP Connection flange entry/exit: 125/100 DN	230/400/700 V Weight: 95,5 kg Volume: 0,10 m3/h	A
210008	<b>FDN-21</b>	Power: 10 HP Connection flange entry/exit: 125/100 DN	230/400/700 V Weight: 101 kg Volume: 0,10 m3/h	A
210009	<b>FDN-22</b>	Power: 12,5 HP Connection flange entry/exit: 125/100 DN	230/400/700 V Weight: 110kg Volume: 0,11 m3/h	A



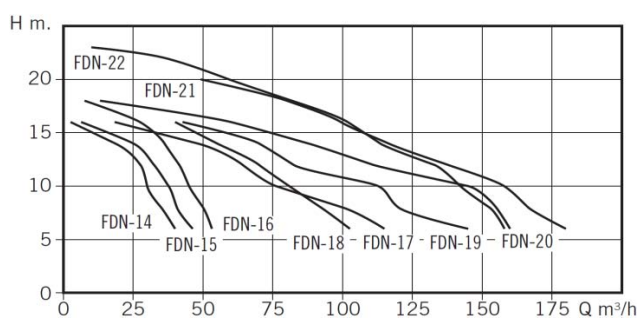
### ◀ CAST IRON (standard)

### ▼ BRONZE ON DEMAND

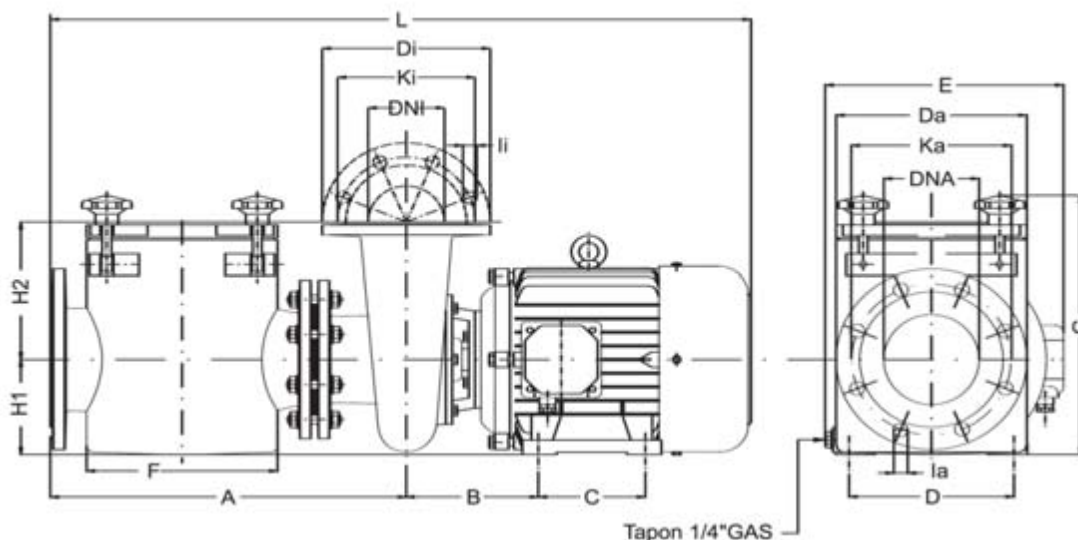


### Technical specifications FDN 2850 r.p.m. pumps:

CODE KÓD KODE	TYPE TYP TYP	POWER PŘÍKON LEISTUNG	III		III		MANOMETRIC HEIGHT / VÝTLAČ. VÝŠKA / FÖRDERHÖHE [m]									
			230 / 400V		400/700V		FLOW / PRŮTOK / DURCHFLUSS [m³/h]									
			A	A	A	A	6	8	10	12	14	16	18	20	22	23
210001	FDN-14	2,0 HP	6,9	4,0	4,0	39,7	34,6	30,4	22,9	18,1	2,7	-	-	-	-	
210002	FDN-15	3,0 HP	8,8	5,1	5,1	46,7	41,8	38,2	32,7	24,6	6,9	-	-	-	-	
210003	FDN-16	4,0 HP	11,4	6,6	6,6	53,0	50,8	45,4	42,4	36,6	27,2	7,6	-	-	-	
210004	FDN-17	4,0 HP	10,7	6,2	6,2	114,8	99,1	76,5	64,4	47,2	18,6	-	-	-	-	
210005	FDN-18	5,5 HP	11,6	6,7	6,7	102,7	93,4	81,4	69,7	55,9	39,2	-	-	-	-	
210006	FDN-19	5,5 HP	14,2	8,2	8,2	145,6	120,1	113,7	82,3	70,0	42,4	-	-	-	-	
210007	FDN-20	7,5 HP	18,0	10,4	10,4	159,3	155,7	145,1	110,9	88,7	60,2	13,6	-	-	-	
210008	FDN-21	10,0 HP	22,1	12,8	12,8	179,0	166,4	158,6	137,0	116,3	98,8	79,0	49,8	-	-	
210009	FDN-22	12,5 HP	26,1	15,1	15,1	158,6	150,3	142,8	133,0	114,4	106,6	81,8	59,4	36,1	10,4	



CODE KÓD KODE	TYPE TYP TYP	DIMENSIONS / ROZMĚRY / ABMESSUNGEN														
		[mm]														
		Da	Ka	la	Di	Ki	li	H*tał.	A	B	C	D	E	E	H1	H2
210001	FDN-14	200	160	19	-	-	-	383	62	84	144	273	210	120	130	735
210002	FDN-15	200	160	19	-	-	-	383	62	84	144	273	210	120	130	735
210003	FDN-16	200	160	19	-	-	-	383	62	84	144	273	210	128	130	762
210004	FDN-17	220	180	19	220	180	19	420	76	84	144	288	210	128	190	817
210005	FDN-18	220	180	19	220	180	19	420	72	112	176	288	210	132	190	831
210006	FDN-19	250	210	19	220	180	19	466	72	112	176	290	250	132	190	876
210007	FDN-20	250	210	19	220	180	19	466	173	140	216	312	250	132	190	918
210008	FDN-21	250	210	19	220	180	19	466	173	140	216	312	250	132	190	918
210009	FDN-22	250	210	19	220	180	19	466	173	178	216	312	250	132	190	956



## Series Infinity FDN-H 1450 r.p.m.

The FDN-H is a centrifugal pump with an easy accessed strainer of big capacity, designed for public pools, competition pools and spas. Its design makes it particularly silent and convert it as the perfect choice for its use in big public swimming pools.

Manufactured fully in bronze on request for a use with sea water.

- Pump body made of Cast Iron. Bronze on demand
- Shaft: SS AISI 304
- Impeller: GG25 cast iron. Bronze on demand
- Prefilter basket: SS AISI 304
- High capacity prefilter
- Mechanical seal type: Carbon + resin - Ceramics.
- Motor protection: IP 55, Isolation class F. 50Hz, 1450 r.p.m.
- Max. pressure: 2,1 bar
- Operation water temperature : 4°C to 40°C
- Temperature of ambience: 4°C to 40°C
- Monophase and Triphase

### CAST IRON

### Rabat Group



210020	<b>FDN-325 H</b>	Power: 2 HP Connection flange entry/exit: 100/50 DN	230/400/700 V Weight: 84,2 kg Volume: 0,110 m3/h	A
210021	<b>FDN-326 H</b>	Power: 3 HP Connection flange entry/exit: 100/50 DN	230/400/700 V Weight: 89,2 kg Volume: 0,110 m3/h	A
210014	<b>FDN-127 H</b>	Power: 4 HP Connection flange entry/exit: 100/80 DN	230/400/700 V Weight: 103,7 kg Volume: 0,140 m3/h	A
210015	<b>FDN-128 H</b>	Power: 5,5 HP Connection flange entry/exit: 100/80 DN	230/400/700 V Weight: 111,2 kg Volume: 0,140 m3/h	A
210016	<b>FDN-129 H</b>	Power: 7,5 HP Connection flange entry/exit: 125/100 DN	230/400/700 V Weight: 143,4kg Volume: 0,190 m3/h	A
210017	<b>FDN-130 H</b>	Power: 10 HP Connection flange entry/exit: 125/100 DN	230/400/700 V Weight: 153,9kg Volume: 0,190 m3/h	A
210010	<b>FDN-123 H</b>	Power: 10 HP Connection flange entry/exit: 150/125 DN	230/400/700 V Weight: 220,9 kg Volume: 0,324 m3/h	A
210011	<b>FDN-124 H</b>	Power: 12,5 HP Connection flange entry/exit: 150/125 DN	230/400/700 V Weight: 219,4 kg Volume: 0,335 m3/h	A
210012	<b>FDN-125 H</b>	Power: 12,5 HP Connection flange entry/exit: 150/125 DN	230/400/700 V Weight: 228,1 kg Volume: 0,335 m3/h	A
210013	<b>FDN-126 H</b>	Power: 15 HP Connection flange entry/exit: 150/125 DN	230/400/700 V Weight: 261,1 kg Volume: 0,335 m3/h	A
210018	<b>FDN-131 H</b>	Power: 12,5 HP Connection flange entry/exit: 150/100 DN Volume: 0,290 m3/h	230/400/700 V Weight: 213,4 kg Volume: 0,290 m3/h	A
210019	<b>FDN-132 H</b>	Power: 15 HP Connection flange entry/exit: 150/100 DN	230/400/700 V Weight: 243,8 kg Volume: 0,300 m3/h	A

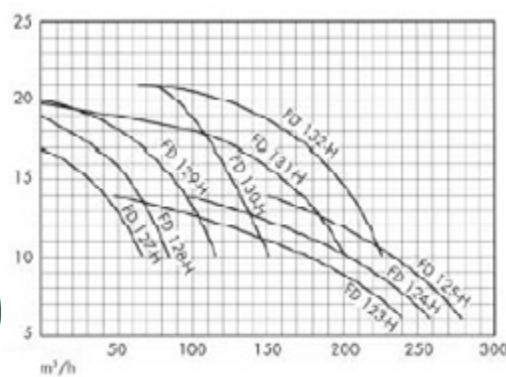
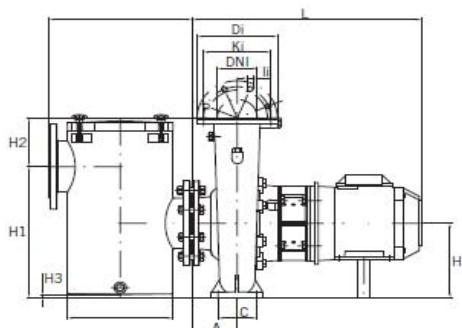


### ◀ BRONZE ON DEMAND

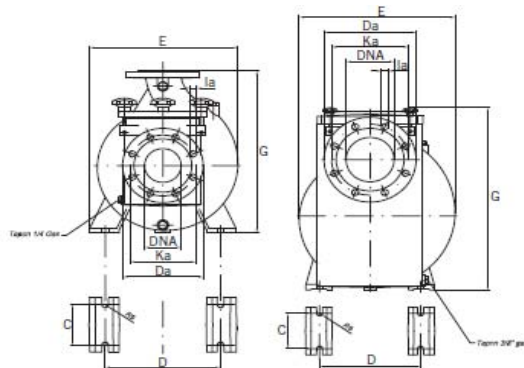
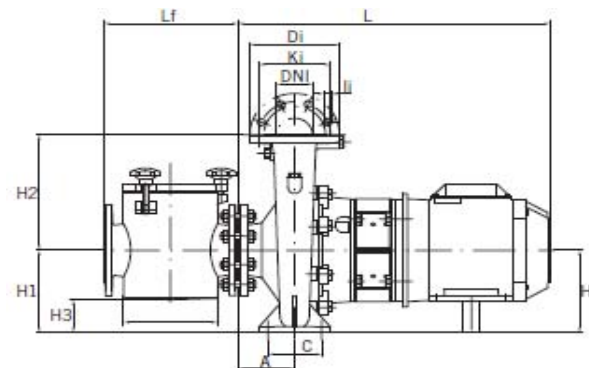


### Technical specifications FDN-H 1450 r.p.m. pumps:

CODE KÓD KODE	TYPE TYP TYP	POWER PŘÍKON LEISTUNG	III		MANOMETRIC HEIGHT / V. VÝŠKA / FÖRDERHÖHE [m]											CONNECTION DNA/DNI [mm]
			230 / 400V	400/700V	FLOW / PRŮTOK / DURCHFLOSS [m³/h]											
			A	A	6	8	10	12	14	16	18	20	21			
210020	FDN-325 H	2,0 HP	6,5	3,8	3,8	44,5	39,0	32,3	24,5	15,1	-	-	-	-	100/50	
210021	FDN-326 H	3,0 HP	8,1	4,7	4,7	51,2	45,1	39,7	34,3	26,2	15,8	-	-	100/50		
210014	FDN-127 H	4,0 HP	11,4	6,6	6,6	83,9	75,4	61,7	48,6	33,9	12,7	-	-	100/80		
210015	FDN-128 H	5,5 HP	13,3	7,7	7,7	97,4	86,9	77,9	66,8	55,3	37,1	18,6	-	100/80		
210016	FDN-129 H	7,5 HP	20,2	11,7	11,7	121,6	106,6	96,1	81,4	65,1	36,4	4,8	-	125/100		
210017	FDN-130 H	10,0 HP	25,4	14,7	14,7	130,1	123,9	115,2	106,4	93,9	79,5	55,0	15,5	125/100		
210010	FDN-123 H	10,0 HP	24,9	14,4	14,4	227,7	200,1	165,0	111,5	9,1	-	-	-	150/125		
210011	FDN-124 H	12,5 HP	25,6	14,8	14,8	227,9	201,2	165,4	117,1	18,8	-	-	-	150/125		
210012	FDN-125 H	12,5 HP	28,2	16,3	16,3	241,6	216,1	182,9	139,8	80,1	-	-	-	150/125		
210013	FDN-126 H	15,0 HP	36,6	21,2	21,2	-	-	239,6	211,3	179,6	111,7	0,1	-	150/125		
210018	FDN-131 H	12,5 HP	30,9	17,9	17,9	-	-	148,1	132,8	120,6	101,8	79,7	2,5	150/100		
210019	FDN-132 H	15,0 HP	39,6	22,9	22,9	-	-	169,0	156,4	144,7	129,3	111,1	78,8	26,9	150/100	



CODE KÓD KODE	TYPE TYP TYP	DIMENSIONS / ROZMĚRY / ABMESSUNGEN																		
		[mm]																		
		Da	Ka	la	Di	Ki	li	N°tal.	A	C	D	E	F	G	H	H1	H2	H3	L	Lf
210020	FDN-325 H	220	180	19	165	125	19	8-4	100	95	250	335	210	405	180	180	225	60	470	298
210021	FDN-326 H	220	180	19	165	125	19	8-4	100	95	250	335	210	405	180	180	225	60	601	298
210014	FDN-127 H	220	180	19	200	160	19	8-4	125	120	315	405	210	480	200	200	280	80	641	298
210015	FDN-128 H	220	180	19	200	160	19	8-4	125	120	315	405	210	480	200	200	280	80	641	298
210016	FDN-129 H	250	210	19	220	180	19	8-8	140	120	315	430	250	505	225	225	280	93	801	345
210017	FDN-130 H	250	210	19	220	180	19	8-8	140	120	315	430	250	505	225	225	280	93	801	345
210010	FDN-123 H	285	240	23	250	210	19	8-8	140	120	315	485	328	605	250	441	163	10	801	445
210011	FDN-124 H	285	240	23	250	210	19	8-8	140	120	315	485	328	605	250	441	163	10	801	445
210012	FDN-125 H	285	240	23	250	210	19	8-8	140	120	315	485	328	605	250	441	163	10	801	445
210013	FDN-126 H	285	240	23	250	210	19	8-8	140	120	315	485	328	605	250	441	163	10	921	445
210018	FDN-131 H	285	240	23	220	180	19	8-8	140	120	315	430	328	505	225	416	88	-15	801	445
210019	FDN-132 H	285	240	23	220	180	19	8-8	140	120	315	430	328	505	225	416	88	-15	921	445





**Series Infinity FDN-HV 1450 r.p.m.**

The adaptable strainer of the FDN-HV pump allows the option of a vertical assembly with reduced space requirement in big pools installations, aquatic parcs and spas. Its special design converts the FDN-HV into the most silent pump of the market. Manufactured fully in bronze on request for a use with sea water.

- Pump body made of Cast Iron. Bronze on demand
- Shaft: SS AISI 304
- Impeller: GG25 cast iron. Bronze on demand
- Prefilter basket: SS AISI 304
- High capacity versatile prefilter
- Mechanical seal type: Carbon + resin - Ceramics.
- Its special design means it runs very quietly.
- Motor protection: IP 55, Isolation class F. 50Hz, 1450 r.p.m.
- Max. pressure: 2,1 bar
- Operation water temperature : 4°C to 40°C
- Temperature of ambience: 4°C to 40°C

**CAST IRON**



				<b>Rabat Group</b>
210034	<b>FDN-133 HV</b> Connection flange entry/exit: 250/125 DN	Power: 20 HP	230/400/700 V Weight: 318,5 kg Volume: 0,56 m3/h	A
210035	<b>FDN-134 HV</b> Connection flange entry/exit: 250/125 DN	Power: 25 HP	230/400/700 V Weight: 334,5 kg Volume: 0,56 m3/h	A
210036	<b>FDN-135 HV</b> Connection flange entry/exit: 300/125 DN	Power: 30 HP	230/400/700 V Weight: 361 kg Volume: 0,65 m3/h	A
210037	<b>FDN-136 HV</b> Connection flange entry/exit: 300/125 DN	Power: 40 HP	230/400/700 V Weight: 387 kg Volume: 0,65 m3/h	A
210038	<b>FDN-137 HV</b> Connection flange entry/exit: 300/125 DN	Power: 50 HP	230/400/700 V Weight: 429 kg Volume: 0,74 m3/h	A

**BRONZE ON DEMAND ▶**

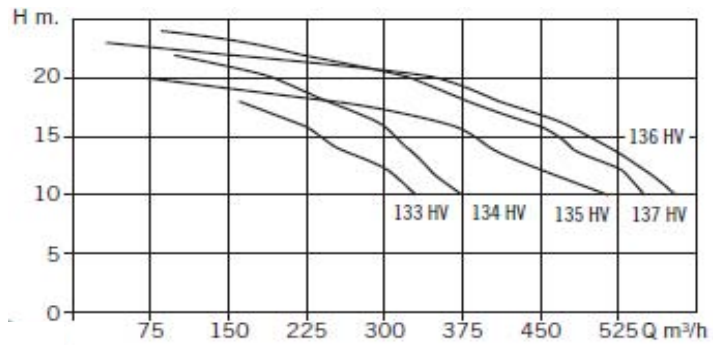


**▼ CAST IRON (standard)**

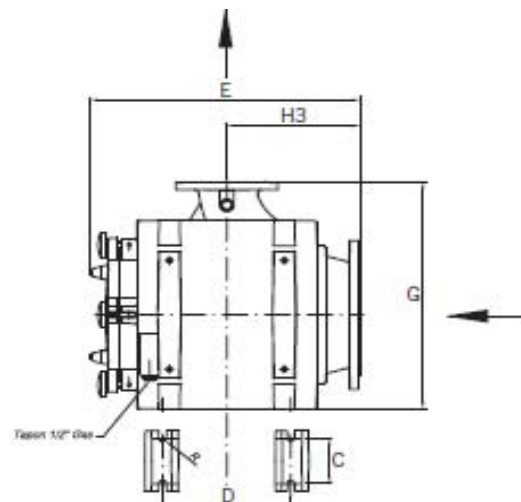
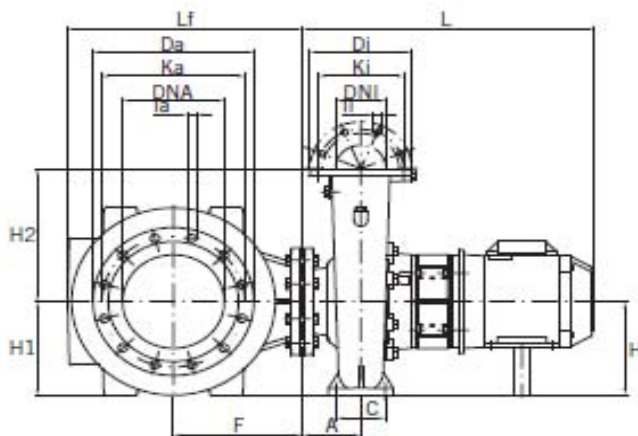


### Technical specifications FDN-HV 1450 r.p.m. pumps:

CODE KÓD KODE	TYPE TYP TYP	POWER PŘÍKON LEISTUNG	III			MANOMETRIC HEIGHT / V. VÝŠKA / FÖRDERHÖHE [m]									CONNECTION DNA/DNI [mm]
			230 / 400V A	400V A	400/700V A	10	12	14	16	18	20	22	23	24	
210034	FDN-325 HV	20 HP	44,6	25,8	25,8	330,4	306,0	266,4	220,7	162,4	-	-	-	-	250/125
210035	FDN-326 HV	25 HP	60,8	35,2	35,2	375,4	346,7	327,2	296,7	244,1	183,5	98,6	-	250/125	
210036	FDN-127 HV	30 HP	74,3	43,0	43,0	513,4	453,6	403,7	362,1	250,1	69,0	-	-	300/125	
210037	FDN-128 HV	40 HP	96,4	55,8	55,8	580,0	557,3	518,7	475,3	410,2	352,6	146,2	33,2	300/125	
210038	FDN-129 HV	50 HP	110,5	64,0	64,0	550,0	530,0	480,0	445,0	380,0	325,0	222,0	168,0	84,0	300/125



CODE KÓD KODE	TYPE TYP TYP	DIMENSIONS / ROZMĚRY / ABMESSUNGEN																	
		Da	Ka	la	Di	Ki	li	N*ta	A	C	D	E	G	H	H1	H2	H3	L	Lf
210034	FDN-325 HV	395	350	23	250	210	19	12 - 8	140	120	315	665	605	250	250	355	328	963	570
210035	FDN-326 HV	395	350	23	250	210	19	12 - 8	140	120	315	665	605	250	250	355	328	921	570
210036	FDN-127 HV	445	400	23	280	240	23	12 - 8	160	150	400	665	655	280	280	375	328	-	570
210037	FDN-128 HV	445	400	23	280	240	23	12 - 8	160	150	400	665	655	280	280	375	328	1071	570
210038	FDN-129 HV	445	400	23	280	240	23	12 - 8	160	150	400	665	655	280	280	375	328	1142	570



## Series Infinity FDN-V 1450 r.p.m.

Mixed flow centrifugal pump for a vertical assembly with stainless steel strainer, suitable for filtration in big public pools. Its design makes it particularly silent. Suction and discharge liner can be connected in different positions, reaching big flow rates with minimum space requirement. Manufactured in bronze (hydraulic part) on request for a use with sea water.

- Pump body made of Cast Iron. Bronze on demand
- Shaft: SS AISI 304
- Impeller: GG25 cast iron. Bronze on demand
- Prefilter body and basket: SS AISI 316
- High capacity prefilter for large-sized pools
- Mechanical seal type: Carbon + resin - Ceramics.
- Achieving excellent performance in small spaces
- Motor protection: IP 55, Isolation class F. 50Hz, 1450 r.p.m.
- Max. pressure: 2,1 bar
- Operation water temperature : 4°C to 40°C
- Temperature of ambience: 4°C to 40°C

### CAST IRON

**Rabat  
Group**


210026	<b>FDN-127 V</b>	Power: 4 HP Connection flange entry/exit: 200/125 DN	230/400/700 V Weight: 112,4 kg Volume: 0,150 m3/h	A
210027	<b>FDN-128 V</b>	Power: 5,5 HP Connection flange entry/exit: 200/125 DN	230/400/700 V Weight: 120,0 kg Volume: 0,150 m3/h	A
210028	<b>FDN-129 V</b>	Power: 7,5 HP Connection flange entry/exit: 250/125 DN	230/400/700 V Weight: 137,9 kg Volume: 0,180 m3/h	A
210029	<b>FDN-130 V</b>	Power: 10 HP Connection flange entry/exit: 250/125 DN	230/400/700 V Weight: 167,9 kg Volume: 0,240 m3/h	A
210022	<b>FDN-123 V</b>	Power: 10 HP Connection flange entry/exit: 125/80 DN	230/400/700 V Weight: 196,7 kg Volume: 0,300 m3/h	A
210023	<b>FDN-124 V</b>	Power: 12,5 HP Connection flange entry/exit: 125/80 DN	230/400/700 V Weight: 201,6 kg Volume: 0,310 m3/h	A
210024	<b>FDN-125 V</b>	Power: 12,5 HP Connection flange entry/exit: 150/100 DN	230/400/700 V Weight: 218,5 kg Volume: 0,370 m3/h	A
210025	<b>FDN-126 V</b>	Power: 15 HP Connection flange entry/exit: 150/100 DN	230/400/700 V Weight: 250 kg Volume: 0,400 m3/h	A
210030	<b>FDN-131 V</b>	Power: 12,5 HP Connection flange entry/exit: 200/100 DN	230/400/700 V Weight: 181,9 kg Volume: 0,250 m3/h	A
210031	<b>FDN-132 V</b>	Power: 15 HP Connection flange entry/exit: 200/100 DN	230/400/700 V Weight: 215,8 kg Volume: 0,270 m3/h	A
210032	<b>FDN-133 V</b>	Power: 20 HP Connection flange entry/exit: 250/125 DN	230/400/700 V Weight: 272 kg Volume: 0,420 m3/h	A
210033	<b>FDN-134 V</b>	Power: 25 HP Connection flange entry/exit: 250/125 DN	230/400/700 V Weight: 274,6 kg Volume: 0,420 m3/h	A

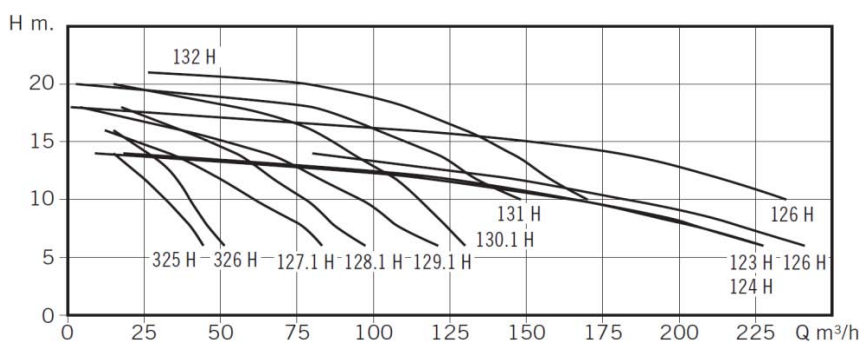


### ▲ BRONZE ON DEMAND

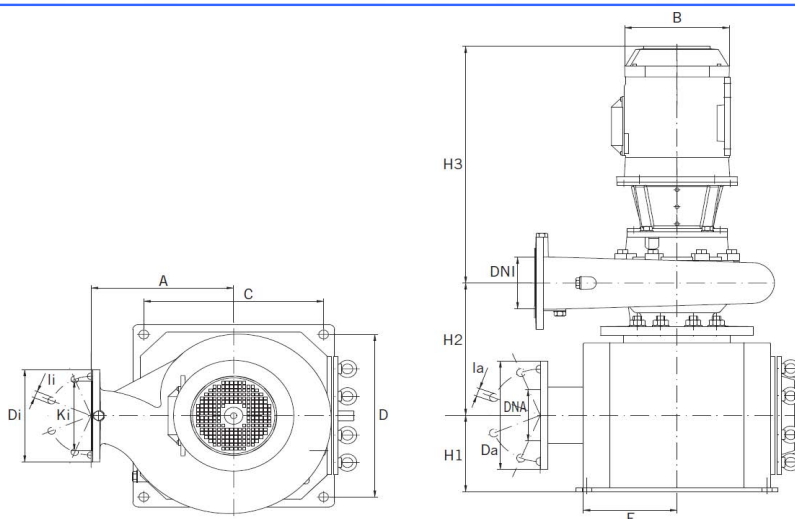


### Technical specifications FDN-V 1450 r.p.m. pumps:

CODE KÓD KODE	TYPE TYP TYP	POWER PŘÍKON LEISTUNG	III		MANOMETRIC HEIGHT / V. VÝŠKA / FÖRDERHÖHE [m]										CONNECTION DINA/DNI [mm]
			230 / 400V A	400/700V A	FLOW / PRŮTOK / DURCHFLOSS [m³/h]										
					6	8	10	12	14	16	18	20	22		
210026	FDN-127 V	4,0 HP	11,4	6,6	6,6	83,9	75,4	61,7	48,6	33,9	12,7	-	-	-	200/125
210027	FDN-128 V	5,5 HP	13,3	7,7	7,7	97,4	86,9	77,9	66,8	55,3	37,1	18,6	-	-	200/125
210028	FDN-129 V	7,5 HP	20,2	11,7	11,7	121,6	106,6	96,1	81,4	65,1	36,4	4,8	-	-	250/125
210029	FDN-130 V	10,0 HP	25,4	14,7	14,7	130,1	123,9	115,2	106,4	93,9	79,5	55,0	15,5	-	250/125
210022	FDN-123 V	10,0 HP	24,9	14,4	14,4	227,7	200,1	165,0	111,5	9,1	-	-	-	-	125/80
210023	FDN-124 V	12,5 HP	25,6	14,8	14,8	227,9	201,2	165,4	117,1	18,8	-	-	-	-	125/80
210024	FDN-125 V	12,5 HP	28,2	16,3	16,3	241,6	216,1	182,9	139,8	80,1	-	-	-	-	150/100
210025	FDN-126 V	15,0 HP	36,6	21,2	21,2	-	-	239,6	211,3	179,6	111,7	0,1	-	-	150/100
210030	FDN-131 V	12,5 HP	30,9	17,9	17,9	-	-	148,1	132,8	120,6	101,8	79,7	2,5	-	200/100
210031	FDN-132 V	15,0 HP	39,6	22,9	22,9	-	-	169,0	156,4	144,7	129,3	111,1	78,8	-	200/100
210032	FDN-133 V	20,0 HP	44,6	25,8	25,8	-	-	330,4	306,0	266,4	220,7	162,4	-	-	250/125
210033	FDN-134 V	25,0 HP	60,8	35,2	35,2	-	-	375,4	346,7	327,2	296,7	244,1	183,5	98,6	250/125



CODE KÓD KODE	TYPE TYP TYP	DIMENSIONS / ROZMĚRY / ABMESSUNGEN [mm]													
		Da	la	Di	Ki	li	N°tal.	A	B	C	D	E	H1	H2	H3
210026	FDN-127 V	250	19	200	160	19	8 - 4	280	194	400	330	260	150	285	641
210027	FDN-128 V	250	19	200	160	19	8 - 4	280	194	400	330	260	150	285	641
210028	FDN-129 V	285	19	220	180	19	8 - 8	280	257	390	330	260	150	285	801
210029	FDN-130 V	285	19	220	180	19	8 - 8	280	257	390	400	290	185	335	801
210022	FDN-123 V	340	19	250	210	19	8 - 8	355	260	330	400	290	185	300	801
210023	FDN-124 V	340	19	250	210	19	8 - 8	355	260	330	400	290	185	300	801
210024	FDN-125 V	395	19	250	210	19	8 - 8	355	260	330	500	290	215	365	801
210025	FDN-126 V	395	19	250	210	19	8 - 8	355	310	400	500	290	215	365	921
210030	FDN-131 V	340	19	220	180	19	8 - 8	280	257	400	400	290	185	335	801
210031	FDN-132 V	340	19	220	180	19	12 - 8	280	310	400	400	290	185	335	921
210032	FDN-133 V	395	23	250	210	19	12 - 8	355	310	390	500	290	215	365	963
210033	FDN-134 V	395	23	250	210	19	12 - 8	355	310	390	500	290	215	365	921





## PREFILTERS FOR PUMPS

### INLINE HDPE PREFILTERS

New range of HDPE prefilters with an easily accessible transparent metacrylate cover. Prefilters are provided with PVC standard flanges.

- Material: body - HDPE, cover - transparent PMMA  
grating filter - stainless steel AISI 316 L
- Indicative flow rate: 40 to 400 m3/h
- Operation water temperature : 10°C to 40°C
- Test pressure: 2 bar

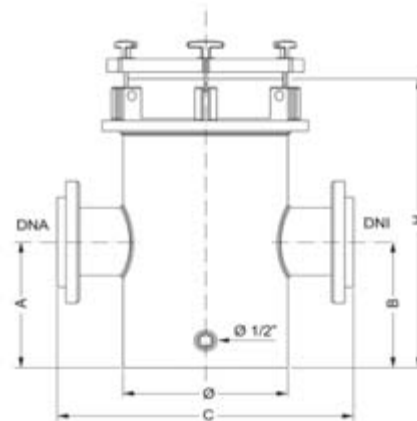


- 250062 **HDPE H 65/65**
- 250063 **HDPE H 80/80**
- 250064 **HDPE H 100/65**
- 250065 **HDPE H 100/80**
- 250066 **HDPE H 100/100**
- 250067 **HDPE H 125/100**
- 250068 **HDPE H 125/125**
- 250069 **HDPE H 150/125**
- 250070 **HDPE H 150/150**
- 250071 **HDPE H 200/200**
- 250072 **HDPE H 250/150**
- 250073 **HDPE H 300/150**
- 250074 **HDPE H 300/200**

- BODY D225 mm A
- BODY D225 mm A
- BODY D250 mm A
- BODY D250 mm A
- BODY D250 mm A
- BODY D250 mm A
- BODY D250 mm A
- BODY D355 mm A
- BODY D400 mm A
- BODY D400 mm A
- BODY D400 mm A
- BODY D400 mm A
- BODY D400 mm A
- BODY D400 mm A
- BODY D400 mm A

**Rabat Group**

CODE KÓD KODE	TYPE TYP TYP	DIMENSIONS / ROZMĚRY / ABMESSUNGEN						
		Ø	A	B	C	H	DNA	DNI
250062	HDPE H 65/65	225	250	250	470	600	65	65
250063	HDPE H 80/80	225	250	250	490	600	80	80
250064	HDPE H 100/65	250	250	180	500	600	100	65
250065	HDPE H 100/80	250	250	250	500	600	100	80
250066	HDPE H 100/100	250	250	250	510	600	100	100
250067	HDPE H 125/100	250	250	250	250	250	125	100
250068	HDPE H 125/125	355	250	250	540	600	125	125
250069	HDPE H 150/125	400	300	300	725	700	150	125
250070	HDPE H 150/150	400	300	300	750	700	150	150
250071	HDPE H 200/200	400	300	300	720	700	200	200
250072	HDPE H 250/150	400	300	250	740	900	250	150
250073	HDPE H 300/150	400	300	250	725	1000	300	150
250074	HDPE H 300/200	400	300	300	700	1000	300	200



### PREFILTER GIANT

New range of prefilters made in Polypropylene with 30% fiberglass and transparent acrylic nitrile Styrene S.A.N lid. Lid closing with 6 butterfly nuts in stainless steel with ABS handle. Stainless steel basket.

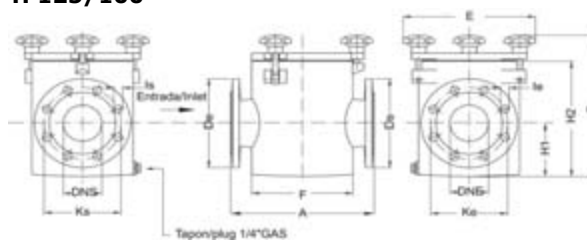
- Body - PP with 30% glass fiber, cover - transparent SAN, grating filter - stainless steel AISI 304
- Indicative flow rate: 80 to 180 m3/h
- Operation water temperature : 10°C to 45°C
- Test pressure: 2 bar



- 250075 **H 100/100**
- 250076 **H 125/100**

**Rabat Group**

- A
- A



CODE KÓD KODE	TYPE TYP TYP	DIMENSIONS / ROZMĚRY / ABMESSUNGEN																		
		A	E	F	G	H1	H2	DNE	Ke	De	Ie	Bolts	DNS	Ks	Ds	Is	Bolts	Th. nut	Its	Kg
250075	H 100/100	345	275	210	320	120	260	100	180	220	19	8	100	180	220	19	8	6	11	8
250076	H 125/100	345	265	250	370	132	295	125	210	250	19	8	100	180	220	19	8	6	11	8

### Stainless steel prefilters AISI 316 & AISI 304

Designed for suspended solids filtration. Placed at the pump's inlet, they prevent impeller blocking.

- Body, lid and basket: stainless steel AISI 316 or AISI 304

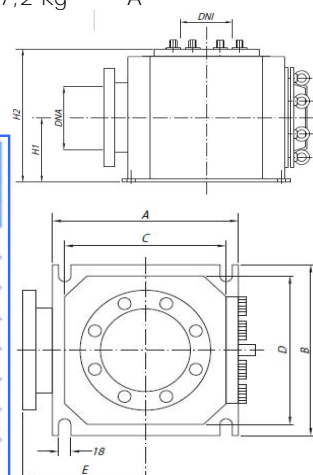


#### AISI 316

250043	<b>INOX. V 100/80 (4")</b>
250044	<b>INOX. V 125/80 (5")</b>
250045	<b>INOX. V 125/100 (5")</b>
250046	<b>INOX. V 150/100 (6")</b>
250050	<b>INOX. V 150/125 (6")</b>
250047	<b>INOX. V 200/125 (8")</b>
250048	<b>INOX. V 200/150 (8")</b>
250049	<b>INOX. V 250/150 (10")</b>

Weight: 34,2 kg	Rabat Group	A
Weight: 35,8 kg		A
Weight: 37,4 kg		A
Weight: 52,8 kg		A
Weight: 53,9 kg		A
Weight: 55 kg		A
Weight: 57,2 kg		A
Weight: 57,2 kg		A

CODE KÓD KODE	TYPE TYP TYP	DIMENSIONS / ROZMĚRY / ABMESSUNGEN [mm]						SUCTION SÁŇÍ -DNA-	DRIVE VÝTLAK -DNI- ITS.	WEIGHT VÁHA GEWICHT		
		A	B	C	D	E	H1				H2	
250043	INOX. V 100/80 (4")	370	370	330	330	260	150	310	DN 100	DN 80	42	34,2 kg
250044	INOX. V 125/80 (5")	370	370	330	330	260	150	310	DN 125	DN 80	42	35,8 kg
250045	INOX. V 125/100 (5")	370	370	330	330	260	150	310	DN 125	DN 100	42	37,4 kg
250046	INOX. V 150/100 (6")	450	450	400	400	290	185	380	DN 150	DN 100	77	52,8 kg
250050	INOX. V 150/125 (6")	450	450	400	400	290	185	380	DN 150	DN 125	77	53,9 kg
250047	INOX. V 200/125 (8")	450	450	400	400	290	185	380	DN 200	DN 125	77	55,0 kg
250048	INOX. V 200/150 (8")	450	450	400	400	290	185	380	DN 200	DN 150	77	57,2 kg
250049	INOX. V 250/150 (10")	435	535	390	500	290	215	440	DN 250	DN 150	105	72,6 kg



#### AISI 304

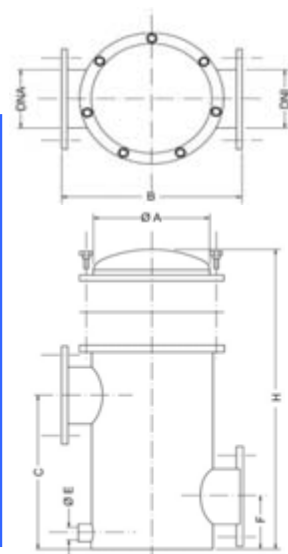


250051	<b>INOX. H DN 80/80 STD (3")</b>
250052	<b>INOX. H DN 100/65 STD (4")</b>
250053	<b>INOX. H DN 100/100 STD (4")</b>
250054	<b>INOX. H DN 125/100 STD (5")</b>
250055	<b>INOX. H DN 125/125 STD (5")</b>
250056	<b>INOX. H DN 150/125 STD (6")</b>
250057	<b>INOX. H DN 150/150 STD (6")</b>
250058	<b>INOX. H DN 200/200 STD (8")</b>
250059	<b>INOX. H DN 250/150 STD (10")</b>
250060	<b>INOX. H DN 250/250 STD (10")</b>
250061	<b>INOX. H DN 300/200 STD (12")</b>

#### Rabat Group

A
A
A
A
A
A
A
A
A
A
A
A
A
A
A

CODE KÓD KODE	TYPE TYP TYP	DIMENSIONS / ROZMĚRY / ABMESSUNGEN [mm]						SUCTION SÁŇÍ -DNA-	DRIVE VÝTLAK -DNI- ITS.	WEIGHT VÁHA GEWICHT	
		A	B	C	E	F	H				
250051	INOX. H DN 80/80 STD (3")	273	423	260	1/2"	110	400	DN 80	DN 80	23	28 kg
250052	INOX. H DN 100/65 STD (4")	320	460	390	3/4"	120	570	DN 100	DN 65	45	36 kg
250053	INOX. H DN 100/100 STD (4")	320	460	390	3/4"	120	570	DN 100	DN 100	45	38 kg
250054	INOX. H DN 125/100 STD (5")	400	600	475	3/4"	135	700	DN 125	DN 100	87	46 kg
250055	INOX. H DN 125/125 STD (5")	400	600	475	3/4"	135	700	DN 125	DN 125	87	48 kg
250056	INOX. H DN 150/125 STD (6")	400	600	458	1"	152	700	DN 150	DN 125	87	50 kg
250057	INOX. H DN 150/150 STD (6")	400	600	458	1"	152	700	DN 150	DN 150	87	52 kg
250058	INOX. H DN 200/200 STD (8")	400	600	430	1"	180	800	DN 200	DN 200	100	58 kg
250059	INOX. H DN 250/150 STD (10")	500	700	600	1"	208	900	DN 250	DN 150	176	82 kg
250060	INOX. H DN 250/250 STD (10")	500	700	600	1"	208	900	DN 250	DN 250	176	85 kg
250061	INOX. H DN 300/200 STD (12")	630	830	630	1"	240	950	DN 300	DN 200	296	110 kg



### Cast iron and bronze prefilters

Cast iron and bronze prefilters for suspended solids filtration. Placed at the pumps inlet, they prevent impeller blocking. The system of cover fixing allows an easy access to the prefilter basket for maintenance



- Prefilter housing and cover: Cast Iron or Bronze ( on demand )
- Basket: Stainless steel AISI 304

#### CAST IRON

**Rabat Group**



250030 **H 65/65** 2½" Weight: 19,5 kg A  
Connection flange entry/exit: 70/70 DN

250077 **H 80/2B** 3" Weight: 20,5 kg A  
Connection flange entry/exit: 80/70 DN

250031 **H 80/80** 3" Weight: 20,5 kg A  
Connection flange entry/exit: 80/80 DN

250078 **H 100/65** 4" Weight: 20,5 kg A  
Connection flange entry/exit: 100/70 DN

250032 **H 100/80** 4" Weight: 21,0 kg A  
Connection flange entry/exit: 100/80 DN

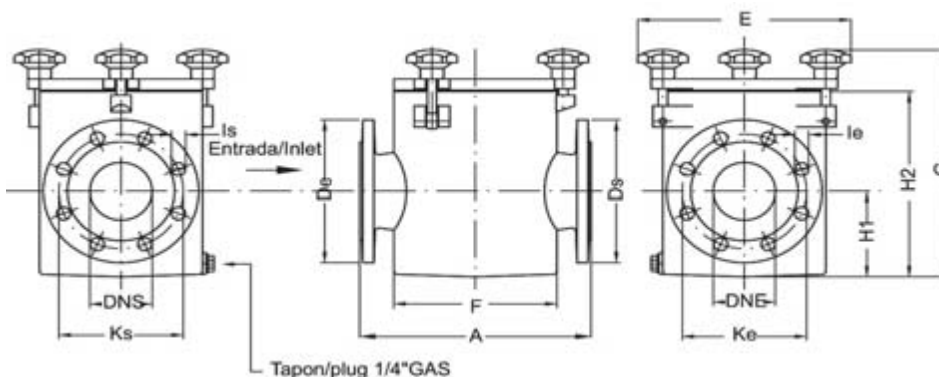
250033 **H 100/100** 4" Weight: 21,5 kg A  
Connection flange entry/exit: 100/100 DN

250034 **H 125/100** 5" Weight: 35,0 kg A  
Connection flange entry/exit: 125/100 DN

250035 **H 125/125** 5" Weight: 36,0 kg A  
Connection flange entry/exit: 125/125 DN



CODE KÓD KODE	TYPE TYP TYP	DIMENSIONS / ROZMĚRY / ABMESSUNGEN																	WEIGHT	
		A	E	F	G	H1	H2	DNE	Ke	De	Ie	BOLTS	DNS	Ks	Ds	Is	BOLTS	T. NUT	ITS.	GG25/Br
250030	H 65/65	300	275	210	320	120	260	70	145	185	19	4	70	145	185	19	4	3	11	19,5/22,2
250077	H 80/2B	300	275	210	320	120	260	80	160	200	19	8	70	125	152	14	4	3	11	20,5/23,3
250031	H 80/80	300	275	210	320	120	260	80	160	200	19	8	80	160	200	19	8	3	11	20,5/23,3
250078	H 100/65	300	275	210	320	120	260	100	180	220	19	8	70	145	185	19	8	3	11	20,5/23,3
250032	H 100/80	300	275	210	320	120	260	100	180	220	19	8	80	160	200	19	8	3	11	21,0/23,9
250033	H 100/100	300	275	210	320	120	260	100	180	220	19	8	100	180	220	19	8	3	11	21,5/24,5
250034	H 125/100	345	265	250	370	132	295	125	210	250	19	8	100	180	220	19	8	4	13,5	35,0/39,8
250035	H 125/125	345	265	250	370	132	295	125	210	250	19	8	125	210	250	19	8	4	13,5	36,0/41,0



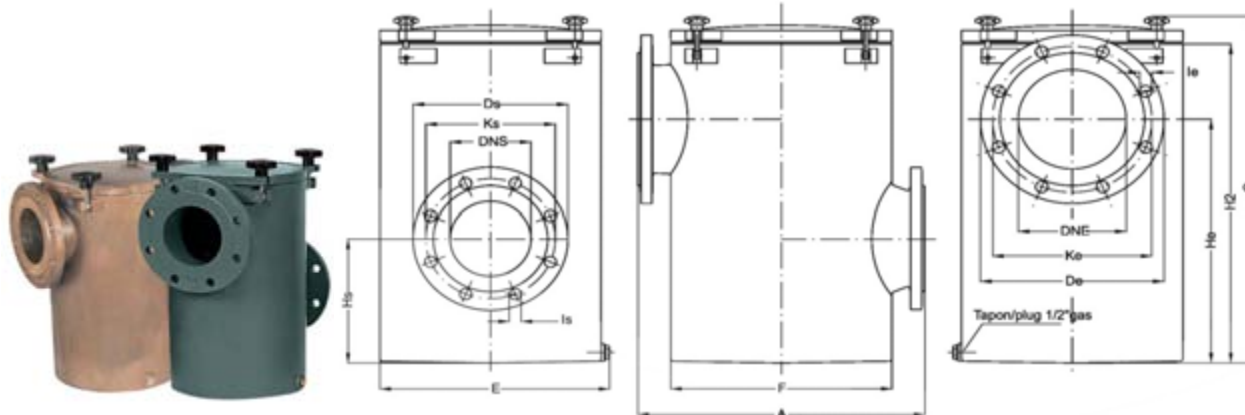


### CAST IRON

Rabat  
Group

- 250036 **H150/125** 6"  
Connection flange entry/exit: 150/125 DN
- 250037 **H 150/150** 6"  
Connection flange entry/exit: 150/150 DN
- 250038 **H 200/150** 8"  
Connection flange entry/exit: 200/150 DN
- 250039 **H 200/200** 8"  
Connection flange entry/exit: 200/200 DN

- Weight: 76 kg A
- Weight: 77 kg A
- Weight: 96 kg A
- Weight: 98 kg A



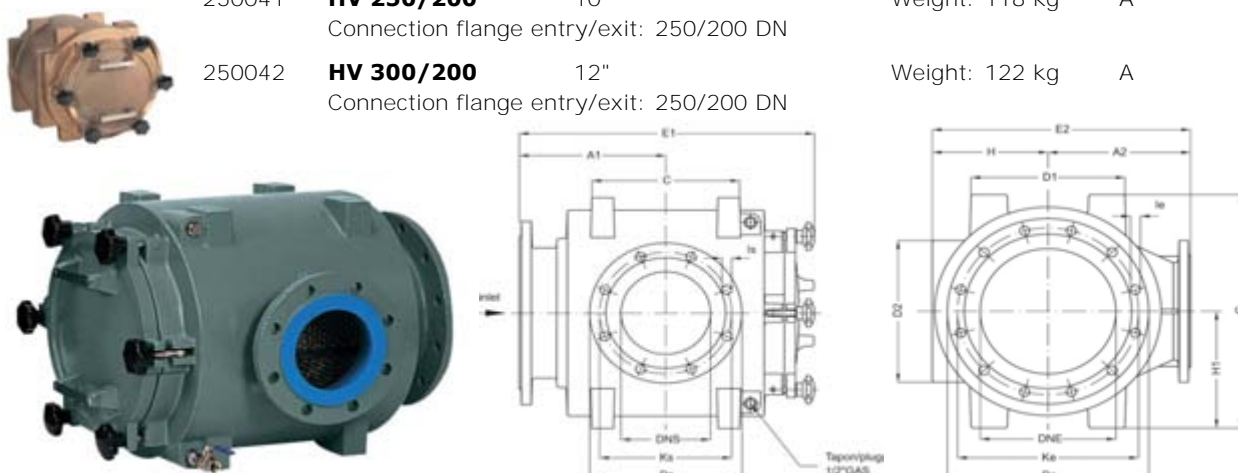
CODE KÓD KODE	TYPE TYP TYP	DIMENSIONS / ROZMĚRY / ABMESSUNGEN																	WEIGHT GG25/Br Kg	
		A	E	F	G	H2	HE	DNE	Ke	De	Te	BOLTS	HS	DNS	Ks	Ds	Is	BOLTS		ITS.
250036	H 150/125	445	347	330	610	550	430	150	240	287	23	8	240	125	210	250	19	8	42,4	76/86,5
250037	H 150/150	445	347	330	610	550	430	150	240	287	23	8	240	150	240	287	23	8	42,4	77/87,3
250038	H 200/150	528	426	410	698	640	490	200	295	340	23	8	250	150	240	287	23	8	84,5	96/109,3
250039	H 200/200	528	426	410	698	640	490	200	295	340	23	8	250	200	295	340	23	8	84,5	98/111,5

### CAST IRON

Rabat  
Group

- 250040 **HV 250/100** 10"  
Connection flange entry/exit: 250/150 DN
- 250041 **HV 250/200** 10"  
Connection flange entry/exit: 250/200 DN
- 250042 **HV 300/200** 12"  
Connection flange entry/exit: 250/200 DN

- Weight: 114 kg A
- Weight: 118 kg A
- Weight: 122 kg A



CODE KÓD KODE	TYPE TYP TYP	DIMENSIONS / ROZMĚRY / ABMESSUNGEN																	WEIGHT GG25/Br Kg				
		A1	A2	C	D1	D2	E1	E2	G	H	H1	DNE	Ke	De	Te	BOLTS	DNS	Ks		Ds	Is	BOLTS	ITS.
250040	H 250/100	328	315	332	342	340	660	570	500	255	250	250	350	395	23	12	150	240	285	23	8	93	114/130
250041	H 250/200	328	315	332	342	340	660	570	560	255	280	250	350	395	23	12	200	295	340	23	8	93	118/135
250042	H 300/200	328	315	342	342	340	660	570	560	255	280	250	400	445	23	12	200	295	340	23	8	93	122/138



## Adaptation kits

On customer wish the pump and the prefilter can be purchased separately. The possible combinations are shown in following table. To choose the right adapting kit you must pay attention at the size of the suction inlet of the pump. This system allows interesting combinations of pumps and pre-filters, with significant savings in investment without any loss of benefits. Adaptation kits contain the fixings in stainless steel and o-rings needed for fixing prefilters to pumps.

### Coupling sets (nuts, screws and falnge gasket)



250077	<b>Coupling set DN 50 PN 16</b>
250078	<b>Coupling set DN 65 PN 16</b>
250079	<b>Coupling set DN 80 PN 16</b>
250080	<b>Coupling set DN 100 PN 16</b>
250081	<b>Coupling set DN 125 PN 16</b>
250082	<b>Coupling set DN 150 PN 16</b>
250083	<b>Coupling set DN 200 PN 16</b>

### Rabat Group

A
A
A
A
A
A
A

### Table pump-prefilters equivalences 1450 r.p.m.

TYPE TYP TYP	POWER PŘÍKON LEISTUNG	CAST IRON LITINA GUSSEISEN	BRONZE BRONZ BRONZE	HDPE	AISI 304	AISI 316	ADAPTATION KITS PŘIPOJOVACÍ SADA AUSBAUSÄTZE
DN-123 H	10 HP	H 150/150	H 150/150	H 150/150 BODY D400	INOX H 150/150	INOX V 200/150	DN 150 PN 16
DN-124 H	12,5 HP	H 150/150	H 150/150	H 150/150 BODY D400	INOX H 150/150	INOX V 200/150	DN 150 PN 16
DN-125 H	12,5 HP	H 150/150	H 150/150	H 150/150 BODY D400	INOX H 150/150	INOX V 250/150	DN 150 PN 16
DN-126 H	15 HP	H 150/150	H 150/150	H 150/150 BODY D400	INOX H 150/150	INOX V 250/150	DN 150 PN 16
DN-325 H	2 HP	H 100/65	H 100/65	H 100/65 BODY D250	INOX H 100/65	-	DN 65 PN 16
DN-326 H	3 HP	H 100/65	H 100/65	H 100/65 BODY D250	INOX H 100/65	-	DN 65 PN 16
DN-127 H	4 HP	H 100/100	H 100/100	H 100/100 BODY D250	INOX H 100/100	INOX V 125/100	DN 100 PN 16
DN-128 H	5,5 HP	H 100/100	H 100/100	H 100/100 BODY D250	INOX H 100/100	INOX V 125/100	DN 100 PN 16
DN-129 H	7,5 HP	H 125/125	H 125/125	H 125/125 BODY D250	INOX H 125/125	INOX V 150/125	DN 125 PN 16
DN-130 H	10,0 HP	H 125/125	H 125/125	H 125/125 BODY D250	INOX H 125/125	INOX V 150/125	DN 125 PN 16
DN-131 H	12,5 HP	H 150/125	H 150/125	H 150/125 BODY D400	INOX H 150/125	INOX V 200/125	DN 125 PN 16
DN-132 H	15 HP	H 150/125	H 150/125	H 150/125 BODY D400	INOX H 150/125	INOX V 200/125	DN 125 PN 16
DN-133 HV	20 HP	HV 250/150	HV 250/150	H 250/150 BODY D400	INOX H 250/150	INOX V 250/150	DN 150 PN 16
DN-134 HV	25 HP	HV 250/150	HV 250/150	H 250/150 BODY D400	INOX H 250/150	INOX V 250/150	DN 150 PN 16
DN-135 HV	30 HP	HV 300/200	HV 300/200	H 300/200 BODY D400	INOX H 300/200	-	DN 200 PN 16
DN-136 HV	40 HP	HV 300/200	HV 300/200	H 300/200 BODY D400	INOX H 300/200	-	DN 200 PN 16
DN-137 HV	50 HP	HV 300/200	HV 300/200	H 300/200 BODY D400	INOX H 300/200	-	DN 200 PN 16

### Table pump-prefilters equivalences 2850 r.p.m.

TYPE TYP TYP	POWER PŘÍKON LEISTUNG	CAST IRON LITINA GUSSEISEN	BRONZE BRONZ BRONZE	HDPE	AISI 304	GIANT	ADAPTATION KITS PŘIPOJOVACÍ SADA AUSBAUSÄTZE
DN-14	2 HP	H 80/2B	H 80/2B	-	-	-	DN 50 PN 16
DN-15	3 HP	H 80/2B	H 80/2B	-	-	-	DN 50 PN 16
DN-16	4 HP	H 80/2B	H 80/2B	-	-	-	DN 50 PN 16
DN-17 / GIANT-N 17	4 HP	H 100/100	H 100/100	H 100/100 D250	INOX H 100/100	H 100/100	DN 100 PN 16
DN-18 / GIANT-N 18	5,5 HP	H 100/100	H 100/100	H 100/100 D250	INOX H 100/100	H 100/100	DN 100 PN 16
DN-19 / GIANT-N 19	5,5 HP	H 125/100	H 125/100	H 125/100 D250	INOX H 125/100	H 125/100	DN 100 PN 16
DN-20 / GIANT-N 20	7,5 HP	H 125/100	H 125/100	H 125/100 D250	INOX H 125/100	H 125/100	DN 100 PN 16
DN-21 / GIANT-N 21	10 HP	H 125/100	H 125/100	H 125/100 D250	INOX H 125/100	H 125/100	DN 100 PN 16
DN-22 / GIANT-N 22	12,5 HP	H 125/100	H 125/100	H 125/100 D250	INOX H 125/100	H 125/100	DN 100 PN 16

### BLOWERS

Wide range of side channel blowers for various flow rates and differential pressures in both simple and double stage. The impeller, with fins, turns inside the side channel causing that the air is compressed and accelerated, creating small vortexes of air that are drawn by the blades from the intake to the exhaust. There are no parts in contact between the stator and rotor and the air conveyed is free of any contamination.

### SERIES HSC - SINGLE STAGE

Single stage side channel blowers, without lubrication or maintenance. Customized and blowing silencers integrated.

- Blowers made in die cast aluminium and suitable for continuous and long-time operation
- Low noise level. Built-in inlet and outlet silencers
- Equipped with IE2 high efficiency motors according to the standard IEC60034-30, IP 55 protection and insulation class F
- Customized blowers for your specific needs
- Environmentally safe. Oil-free technology. Maintenance-free.
- 50Hz. (On demand 60 Hz)



Code	Model	Rabat Group
270021	<b>Infinity HSC0080-1MA400-1</b>	A
270022	<b>Infinity HSC0080-1MT400-6</b>	A
270023	<b>Infinity HSC0140-1MA850-1</b>	A
270024	<b>Infinity HSC0140-1MT850-6</b>	A
270026	<b>Infinity HSC0140-1MA131-1</b>	A
270025	<b>Infinity HSC0140-1MT131-6</b>	A
270027	<b>Infinity HSC0210-1MA131-1</b>	A
270028	<b>Infinity HSC0210-1MT131-6</b>	A
270029	<b>Infinity HSC0210-1MA151-1</b>	A
270030	<b>Infinity HSC0210-1MT161-6</b>	A
270032	<b>Infinity HSC0315-1MT221-6</b>	A
270033	<b>Infinity HSC0315-1MT301-6</b>	A
270034	<b>Infinity HSC0315-1MT401-7</b>	A
270035	<b>Infinity HSC0530-1MT551-7</b>	A
270036	<b>Infinity HSC0530-1MT751-7</b>	A

- Recommended accessories (not included):**
- Pressure/vacuum relief valve
  - Suction pre-filter

CODE KÓD CODE	TYPE TYP TYP	OUTPUT. PŘÍKON LEISTUNG	CURVE KŘIVKA KURVE	VOLTAGE NAPĚTÍ [V]	PHASE FÁZE PHASE	MAX. FLOW MAX. PRŮTOK DURCHFLUSS	MAX. VAC. / MAX. PRESS. MAX. SÁNĚ/ MAX. VÝTLAK	NOISE LEVEL HLUK	WEIGHT VÁHA GEWICHT	CONNECTION PŘÍPOJENÍ ANSCHLUSS
270021	HSC0080-1MA400-1	0,4 kW	22F	230	I	80 m <sup>3</sup> /h	-110/120 mbar	53 dB	11 kg	G 1½"
270022	HSC0080-1MT400-6	0,4 kW	22F Δ 200-240 / Y 345-415	230	III	80 m <sup>3</sup> /h	-120/130 mbar	53 dB	10 kg	G 1½"
270023	HSC0140-1MA850-1	0,85 kW	31F	230	I	145 m <sup>3</sup> /h	-150/160 mbar	63 dB	16 kg	G 1½"
270024	HSC0140-1MT850-6	0,85 kW	31F Δ 200-240 / Y 345-415	230	III	145 m <sup>3</sup> /h	-160/160 mbar	63 dB	16 kg	G 1½"
270026	HSC0140-1MA131-1	1,3 kW	32F	230	I	145 m <sup>3</sup> /h	-150/190 mbar	63 dB	17 kg	G 1½"
270025	HSC0140-1MT131-6	1,3 kW	32F Δ 200-240 / Y 345-415	230	III	145 m <sup>3</sup> /h	-170/200 mbar	63 dB	17 kg	G 1½"
270027	HSC0210-1MA131-1	1,3 kW	42F	230	I	210 m <sup>3</sup> /h	-160/160 mbar	64 dB	22 kg	G 2"
270028	HSC0210-1MT131-6	1,3 kW	42F Δ 200-240 / Y 345-415	230	III	210 m <sup>3</sup> /h	-170/170 mbar	64 dB	22 kg	G 2"
270029	HSC0210-1MA151-1	1,5 kW	43F	230	I	210 m <sup>3</sup> /h	-190/200 mbar	64 dB	24 kg	G 2"
270030	HSC0210-1MT161-6	1,6 kW	43F Δ 200-240 / Y 345-415	230	III	210 m <sup>3</sup> /h	-200/190 mbar	64 dB	23 kg	G 2"
270032	HSC0315-1MT221-6	2,2 kW	52F Δ 200-240 / Y 345-415	230	III	318 m <sup>3</sup> /h	-210/200 mbar	69 dB	30 kg	G 2"
270033	HSC0315-1MT301-6	3,0 kW	61F Δ 200-240 / Y 345-415	230	III	318 m <sup>3</sup> /h	-270/290 mbar	69 dB	36 kg	G 2"
270034	HSC0315-1MT401-7	4,0 kW	62F Δ 345-415 / Y 600-720	230	III	318 m <sup>3</sup> /h	-290/330 mbar	69 dB	40 kg	G 2"
270035	HSC0530-1MT551-7	5,5 kW	71F Δ 345-415 / Y 600-720	230	III	530 m <sup>3</sup> /h	-300/300 mbar	70 dB	63 kg	G 2½"
270036	HSC0530-1MT751-7	7,5 kW	81F Δ 345-415 / Y 600-720	230	III	530 m <sup>3</sup> /h	-320/430 mbar	70 dB	66 kg	G 2½"



## SERIES HSC - DOUBLE STAGE

Double stage side channel blowers, without lubrication or maintenance. Suction and blowing silencers integrated.

- Blowers made in die cast aluminium and suitable for continuous and long-time operation
- Low noise level. Built-in inlet and outlet silencers
- Equipped with IE2 high efficiency motors according to the standard IEC60034-30, IP 55 protection and insulation class F
- Customized blowers for your specific needs
- Environmentally safe. Oil-free technology. Maintenance-free.
- 50Hz. (On demand 60 Hz)



270037 **Infinity HSC0080-2SA700-1**

270038 **Infinity HSC0080-2ST700-6**

270039 **Infinity HSC0140-2SA151-1**

270040 **Infinity HSC0140-2ST161-6**

270041 **Infinity HSC0140-2ST221-6**

270042 **Infinity HSC0210-2ST301-6**

270043 **Infinity HSC0210-2ST401-7**

270044 **Infinity HSC0315-2ST431-7**

270045 **Infinity HSC0315-2ST551-7**

270046 **Infinity HSC0495-2PT551-7**

270047 **Infinity HSC0495-2PT751-7**

### Rabat Group

A

A

A

A

A

A

A

A

A

A

A



### Recommended accessories (not included):

- Pressure/vacuum relief valve
- Suction pre-filter

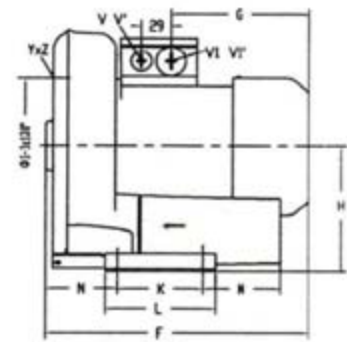
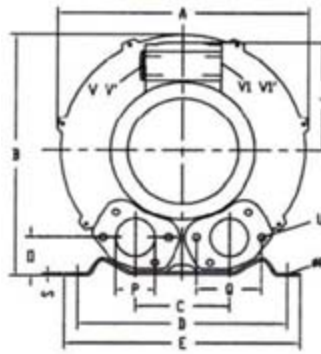
CODE KÓD CODE	TYPE TYP TYP	OUTPUT, PŘÍKON LEISTUNG	CURVE KŘIVKA KURVE	VOLTAGE NAPĚTÍ [V]	PHASE FÁZE PHASE	MAX. FLOW MAX. PRŮTOK DURCHFLUSS	MAX. VAC./ MAX. PRESS. MAX. SÁNÍ/ MAX. VÝTLAK	NOISE LEVEL HLUK	WEIGHT VÁHA GEWICHT	CONNECTION PŘIPOJENÍ ANSCHLUSS
270037	HSC0080-2SA700-1	0,7 kW	121F	230	I	85 m <sup>3</sup> /h	-210/240 mbar	61 dB	15 kg	G 1¼"
270038	HSC0080-2ST700-6	0,7 kW	121F	Δ 200-240 / Y 345-415	III	85 m <sup>3</sup> /h	-210/240 mbar	61 dB	15 kg	G 1¼"
270039	HSC0140-2SA151-1	1,5 kW	131F	230	I	150 m <sup>3</sup> /h	-280/290 mbar	69 dB	25 kg	G 1½"
270040	HSC0140-2ST161-6	1,6 kW	132F	Δ 200-240 / Y 345-415	III	150 m <sup>3</sup> /h	-280/280 mbar	69 dB	25 kg	G 1½"
270041	HSC0140-2ST221-6	2,2 kW	133F	Δ 200-240 / Y 345-415	III	150 m <sup>3</sup> /h	-330/440 mbar	69 dB	27 kg	G 1½"
270042	HSC0210-2ST301-6	3,0 kW	141F	Δ 200-240 / Y 345-415	III	230 m <sup>3</sup> /h	-340/410 mbar	74 dB	40 kg	G 2"
270043	HSC0210-2ST401-7	4,0 kW	142F	Δ 345-415 / Y 600-720	III	230 m <sup>3</sup> /h	-390/490 mbar	74 dB	44 kg	G 2"
270044	HSC0315-2ST431-7	4,3 kW	163F	Δ 345-415 / Y 600-720	III	320 m <sup>3</sup> /h	-360/380 mbar	76 dB	54 kg	G 2"
270045	HSC0315-2ST551-7	5,5 kW	164F	Δ 345-415 / Y 600-720	III	320 m <sup>3</sup> /h	-440/500 mbar	76 dB	66 kg	G 2"
270046	HSC0495-2PT551-7	5,5 kW	171F	Δ 345-415 / Y 600-720	III	500 m <sup>3</sup> /h	-240/260 mbar	78 dB	69 kg	G 2"
270047	HSC0495-2PT751-7	7,5 kW	172F	Δ 345-415 / Y 600-720	III	500 m <sup>3</sup> /h	-240/320 mbar	78 dB	75 kg	G 2"





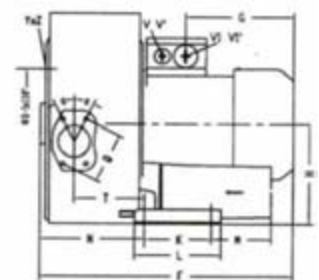
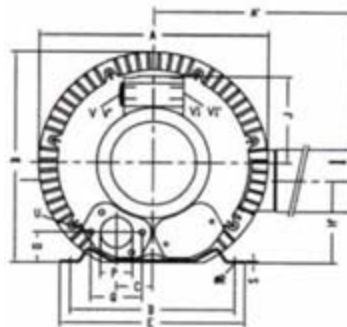
**Dimensions: HSC - SINGLE STAGE**

CODE KÓD CODE	HSC	DIMENSIONS [mm] ROZMĚRY / DIMENSIONEN				P
		A	B	C	P	
270021	HSC0080-1MA400-1	246	247	256	G 1 1/4"	
270022	HSC0080-1MT400-6	246	247	256	G 1 1/4"	
270023	HSC0140-1MA850-1	286	302	294	G 1 1/2"	
270024	HSC0140-1MT850-6	286	302	294	G 1 1/2"	
270026	HSC0140-1MA131-1	286	302	292	G 1 1/2"	
270025	HSC0140-1MT131-6	286	302	292	G 1 1/2"	
270027	HSC0210-1MA131-1	334	337	314	G 2"	
270028	HSC0210-1MT131-6	334	337	314	G 2"	
270029	HSC0210-1MA151-1	334	337	345	G 2"	
270030	HSC0210-1MT161-6	334	337	346	G 2"	
270032	HSC0315-1MT221-6	382	384	377	G 2"	
270033	HSC0315-1MT301-6	382	384	409	G 2"	
270034	HSC0315-1MT401-7	382	384	432	G 2"	
270035	HSC0530-1MT551-7	451	461	433	G 2 1/2"	
270036	HSC0530-1MT751-7	451	461	433	G 2 1/2"	



**Dimensions: HSC - DOUBLE STAGE**

CODE KÓD CODE	TYPE TYP TYP	DIMENSIONS [mm] ROZMĚRY / DIMENSIONEN					P
		A	A'	B	F	P	
270037	HSC0080-2SA700-1	284	316	270	316	G 1 1/4"	
270038	HSC0080-2ST700-6	284	316	270	316	G 1 1/4"	
270039	HSC0140-2SA151-1	322	324	315	401	G 1 1/2"	
270040	HSC0140-2ST161-6	322	324	315	401	G 1 1/2"	
270041	HSC0140-2ST221-6	322	324	315	401	G 1 1/2"	
270042	HSC0210-2ST301-6	372	411	371	465	G 2"	
270043	HSC0210-2ST401-7	372	411	371	499	G 2"	
270044	HSC0315-2ST431-7	426	426	410	526	G 2"	
270045	HSC0315-2ST551-7	426	426	410	571	G 2"	
270046	HSC0495-2PT551-7	420	-	410	325	G 2"	
270047	HSC0495-2PT751-7	420	-	410	325	G 2"	



**ACCESSORIES FOR PRESSURE (BLOWING)**

**SUCTION FILTER FOR PRESSURE**



- 270048 Filter of 1 1/4"
- 270049 Filter of 1/2"
- 270050 Filter of 2"
- 270051 Filter of 2 1/2"



- Rabat Group**
- A
  - A
  - A
  - A

**ADDITIONAL SILENCER**



- 270052 Silencer of 1 1/4"
- 270053 Silencer of 1/2"
- 270054 Silencer of 2"
- 270055 Silencer of 2 1/2"

- A
- A
- A
- A

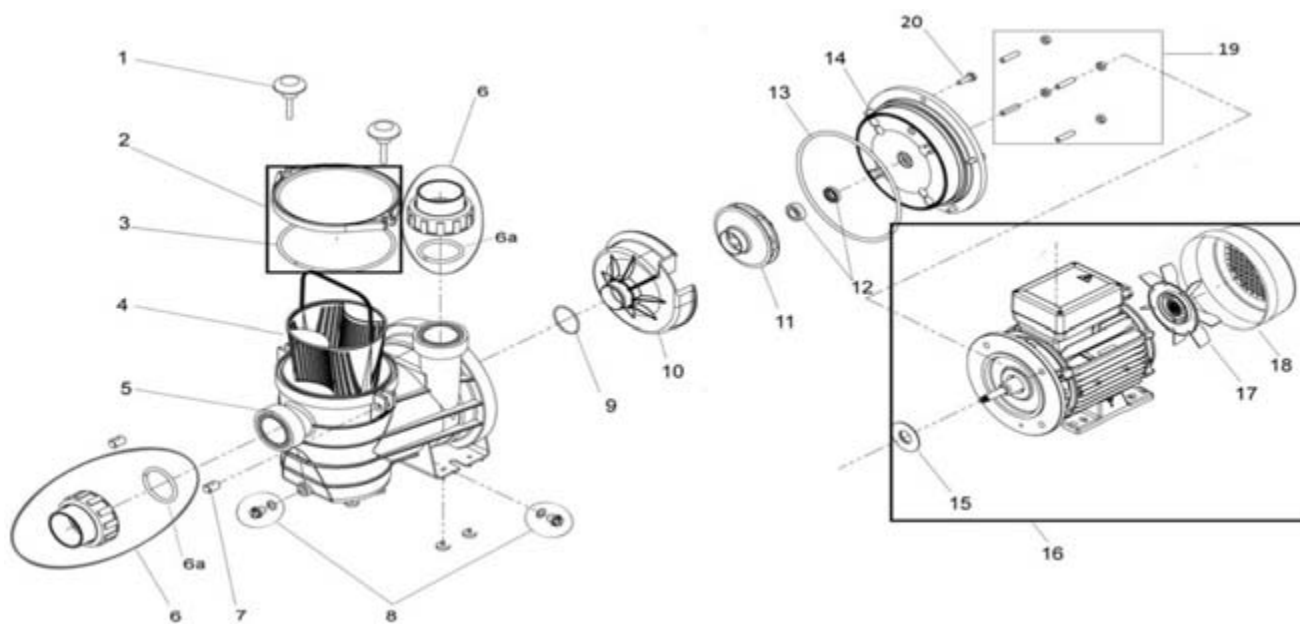
**PRESSURE RELIEF VALVE**

- 270056 Valve of 1 1/4"
- 270057 Valve of 2"

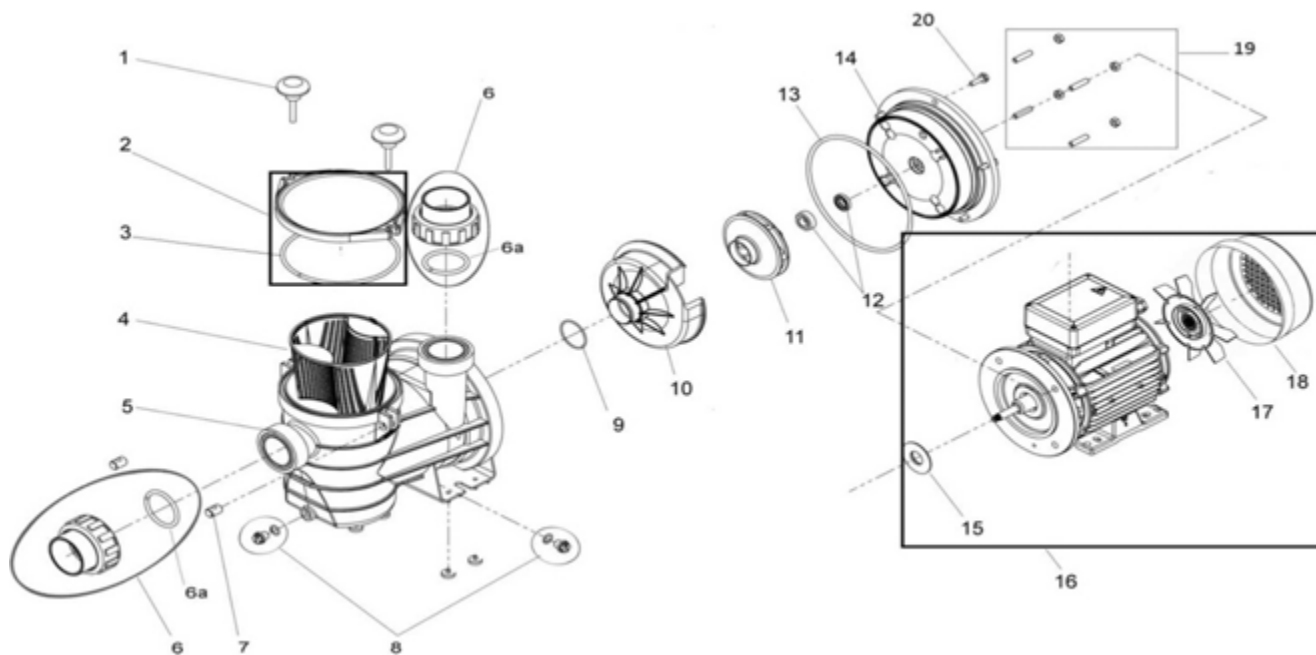


- A
- A

**LIST OF SPARE PARTS HGS**



**LIST OF SPARE PARTS HPS**



FILTERS FOR COMMERCIAL POOLS



FILTERS FOR PRIVATE POOLS



FILTRATION UNITS

PUMPS



WALL FITTINGS



MEASURING & CONTROL UNITS, DOSING PUMPS

HEATING FOR SWIMMING POOL WATER



SWIMMING POOL ATTRACTION

ACCESSORIES FOR SWIMMING POOLS



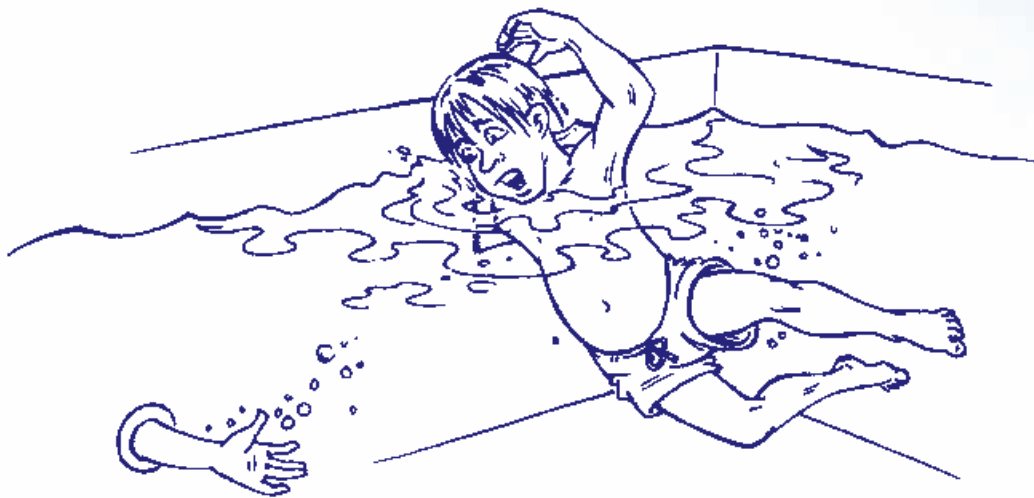
SWIMMING POOL COVERS

PVC FITTINGS AND PIPES





# ***WALL FITTINGS***



## UNDERWATER LIGHT - AQUA DE - LIGHT

LED Special Illumination Systems for Swimming-Pools

### AQUA DE - LIGHT "SLIMLINE series"

■ min. order quantity 12 pcs/box

**Rabat Group**

#### 804370 Aqua de - light SLIMLINE BLUE

A



- Power: max. 24 W
- Voltage: AC 12 V
- Current: max. 2,1 A
- Light Intensity: 1620 Lumen
- Light Output: 160 Degrees
- Level of Protection: class II, IP68
- Thickness: 16 mm
- Diameter: 175 mm

- Content of Packaging:
- illuminator with frame
  - plastic screws
  - 2,6m cable
  - watertight plug-in cable connector (IP68)

**Rabat Group**

#### 804375 Aqua de - light SLIMLINE WHITE

A



- Power: max. 24 W
- Voltage: AC 12 V
- Current: max. 2,1 A
- Light Intensity: 1620 Lumen
- Light Output: 160 Degrees
- Level of Protection: class II, IP68
- Thickness: 16 mm
- Diameter: 175 mm

- Content of Packaging:
- illuminator with frame
  - plastic screws
  - 2,6m cable
  - watertight plug-in cable connector (IP68)

**Rabat Group**

#### 804376 Aqua de - light SLIMLINE PAR056 - BLUE

A



#### 804376 Aqua de - light SLIMLINE PAR056 - WHITE

A

- Power: max. 15/24 W
- Voltage: AC 12 V
- Current: max. 2,1 A
- Light Intensity: 1200/1620 Lumen
- Light Output: 160 Degrees
- Level of Protection: class II, IP68
- Thickness: 16 mm
- Diameter: 175 mm

- Content of Packaging:
- illuminator with frame
  - PAR56 rear dome wall
  - plastic screws
  - 2,6m cable
  - watertight plug-in cable connector (IP68)

### AQUA DE - LIGHT "COMPACT series"

■ min. order quantity 12 pcs/box

**Rabat Group**

#### 804387 Aqua de - light COMPACT BLUE

A



#### 804385 Aqua de - light COMPACT WHITE

A

- Power: max. 24 W
- Voltage: AC 12 V
- Current: max. 2,1 A
- Light Intensity: 1620 Lumen
- Light Output: 160 Degrees
- Level of Protection: class II, IP68
- Thickness: 24 mm
- Diameter: 120 mm

- Content of Packaging:
- illuminator with 1,5" thread
  - 2,6m cable
  - watertight plug-in cable connector (IP68)
  - plastic screws



**AQUA DE - LIGHT "MULTICOLOUR RGB series"**

■ min. order quantity 12 pcs/box

**Rabat Group**



804367 **Aqua de - light SLIMLINE Multicolour RGB**

A

- Power: max. 15 W
- Voltage: AC 12 V
- Current: max. 1,3 A
- Light Intensity: 1200 Lumen
- Light Output: 160 Degrees
- Level of Protection: class II, IP68
- Thickness: 16 mm
- Diameter: 175 mm

- Content of Packaging:
- illuminator with frame
  - plastic screws
  - 2,6m cable
  - watertight plug-in cable connector (IP68)

**Rabat Group**



804378 **Aqua de - light SLIMLINE PAR056 - RGB**

A

- Power: max. 15/24 W
- Voltage: AC 12 V
- Current: max. 2,1 A
- Light Intensity: 1200/1620 Lumen
- Light Output: 160 Degrees
- Level of Protection: class II, IP68
- Thickness: 16 mm
- Diameter: 175 mm

- Content of Packaging:
- illuminator with frame
  - PAR56 rear dome wall
  - plastic screws
  - 2,6m cable
  - watertight plug-in cable connector (IP68)

**Rabat Group**



804388 **Aqua de - light COMPACT Multicolour RGB**

A

- Power: max. 15 W
- Voltage: AC 12 V
- Current: max. 1,3 A
- Light Intensity: 1200 Lumen
- Light Output: 160 Degrees
- Level of Protection: class II, IP68
- Thickness: 24 mm
- Diameter: 120 mm

- Content of Packaging:
- illuminator with 1,5" thread
  - 2,6m cable
  - watertight plug-in cable connector (IP68)



◀ Construction Drawing Niche






Construction Drawing PAR56 Adapter ▶





## ACCESSORIES FOR AQUA DE - LIGHT SLIMLINE series

		<b>Rabat Group</b>
	804372 <b>Aqua de - light NICHE</b> With flange, 2 silicone gaskets and mounting screws for concrete, liner and one piece pools ■ <b>min. order quantity 12 pcs/box</b>	A
	804371 <b>Aqua de - light ADAPTER</b> To fit existing niches with flange diameter of 210-255 mm	A
	804386 <b>Aqua de - light Security Transformer</b> ■ For 1 aqua de-light® RGB Illuminator ■ Mains voltage: 170-250 Volts AC 50/60 Hz ■ Secondary voltage: 12 VAC, 3,7 A, 45 W ■ Level of Protection: IP44	A

## ACCESSORIES - STAINLESS STEEL FOR SLIMLINE series

		<b>Rabat Group</b>
	804379 <b>Niro Stainless Steel Adapter</b> To fit into existing niches	A
	804381 <b>Aqua de - light set of screws</b> for steel adapter 804379	A





**PLASTIC WALL FITTINGS**


**SKIMMERS**

Manufactured in ABS, with top round lid square frame, in hard wearing plastic for all type of pools.

**Recommended flow: 5 000 l/h.**

			<b>Rabat Group</b>
	530001	<b>Skimmer ALFA - for concrete pool</b> <ul style="list-style-type: none"> <li>■ Made of white ABS</li> <li>■ With floating weir</li> <li>■ Wide mouth</li> <li>■ Round lid</li> <li>■ Square frame</li> <li>■ Weight: 6,6 kg</li> </ul>	C
	530005	<b>Skimmer ALFA - for liner pool</b> <ul style="list-style-type: none"> <li>■ Made of white ABS</li> <li>■ With floating weir</li> <li>■ Wide mouth</li> <li>■ Round lid</li> <li>■ Square frame</li> <li>■ Weight: 6,7 kg</li> </ul>	C
	530002	<b>Skimmer ALFA PLUS - for concrete pool</b> <ul style="list-style-type: none"> <li>■ Made of white ABS</li> <li>■ With floating weir</li> <li>■ Wide mouth</li> <li>■ Round lid</li> <li>■ Square frame</li> <li>■ Weight: 7,6 kg</li> </ul>	C
	530006	<b>Skimmer ALFA PLUS - for liner pool</b> <ul style="list-style-type: none"> <li>■ Made of white ABS</li> <li>■ With floating weir</li> <li>■ Wide mouth</li> <li>■ Round lid</li> <li>■ Square frame</li> <li>■ Weight: 8,0 kg</li> </ul>	C

**ACCESORIES FOR SKIMMERS**

			<b>Rabat Group</b>
	530015	<b>Vertical extension for skimmer ALFA</b> <ul style="list-style-type: none"> <li>■ Made of white ABS</li> <li>■ Weight: 0,2 kg</li> </ul>	C

## LEVEL REGULATOR



530016

### ALFA - Mechanical level controller

- Made of white ABS
- Installation depth 24 cm
- Round lid
- Square frame
- Adjustable ball float
- Weight: 1,5 kg

**Rabat  
Group**

C

## WALL THROUGH



530025

### ALFA - Wall trough

- Made of white ABS
- 25 cm long
- Connection pipe: internal Ø50 mm
- Connection to inlet: G 2"
- Length: 250 mm

**Rabat  
Group**

C

## BOTTOM DRAINS



530019

### ALFA - Bottom drain - for concrete pool

**Rabat  
Group**

C

530020

### ALFA - Bottom drain - for liner pool

- Made of UV resistant white ABS
  - flat grid with attachment using two stainless steel screws (included package)
  - Weight: 3,5 kg
  - Diameter: Ø 200 mm
  - Rectangular side outlet G 2"
  - Bottom outlet G 1 ½ "
- (This outlet is blind, for its use is necessary to plug break up)

C

## WALL INLETS



530027

### ALFA - Wall inlets - for concrete pool

- Connection: internal Ø50 mm to glue, ext. G2"
- Made of white ABS

**Rabat  
Group**

C

530030

### ALFA - Wall inlets - for liner pool

- Connection: internal Ø50 mm to glue, ext. G2"
- Made of white ABS

C

530029

### ALFA - Wall inlets - for prefabricated pool

- Connection: internal Ø50 mm to glue, ext. G2"
- Made of white ABS


C



**BOTTOM INLETS**

			<b>Rabat Group</b>
	530034	<b>ALFA - Bottom inlets - for concrete pool</b> <ul style="list-style-type: none"> <li>■ Made of white ABS</li> <li>■ Flow adjustable</li> <li>■ Connection: internal G1½", ext. G2"</li> </ul>	C
	530035	<b>ALFA - Bottom inlets - for liner pool</b> <ul style="list-style-type: none"> <li>■ Made of white ABS</li> <li>■ Flow adjustable</li> <li>■ Connection: internal G1½", ext. G2"</li> </ul>	C
	510080	<b>FISSA - for concrete pool</b> <ul style="list-style-type: none"> <li>■ Fixed to pipe Ø50/63 mm</li> </ul>	G
	510081	<b>FISSA - for concrete pool</b> <ul style="list-style-type: none"> <li>■ Fixed to pipe Ø75/90 mm</li> </ul>	G

**INLET VACUUM CLEANER**

			<b>Rabat Group</b>
	530038	<b>ALFA - Vacuum cl. inlets - for concrete pool</b> <ul style="list-style-type: none"> <li>■ Made of white ABS</li> <li>■ Connection: int. Ø50 mm to glue, ext. G2"</li> <li>■ With lid G1½"</li> </ul>	C
	530039	<b>ALFA - Vacuum cleaner inlets - for liner pool</b> <ul style="list-style-type: none"> <li>■ Made of white ABS</li> <li>■ Connection: int. Ø50 mm to glue, ext. G2"</li> <li>■ With lid G1½"</li> </ul>	C

## UNDERWATER REFLECTORS 300W



530042 **ALFA - Underwater reflector - for concr. pool**

**Rabat Group**

C

530043 **ALFA - Underwater reflector - for liner pool**

C

- Made of chemical resistant white ABS
- 300W underwater light has to be used every 25 m<sup>2</sup> of water area
- Complete projector with body and ring, stuffing box, joints and lamp
- Halogen reflectors 300W/12V PAR 56 with cable 2 m

## CONNECTION BOX



530049 **ALFA - Connection box**

**Rabat Group**

C

- Made of white ABS

## ACCESSORIES TO THE SPOTLIGHTS



530118 **Connection hose**

**Rabat Group**

C

- Length: 1,0 m
- Nominal diameter: Ø 2 cm



530112 **Replacement bulb 300 W**

C

- Halogen reflectors 300W/12V PAR 56
- 4000 lx

**WALL FITTINGS OF STAINLESS STEEL**

**SKIMMERS**

**Rabat Group**



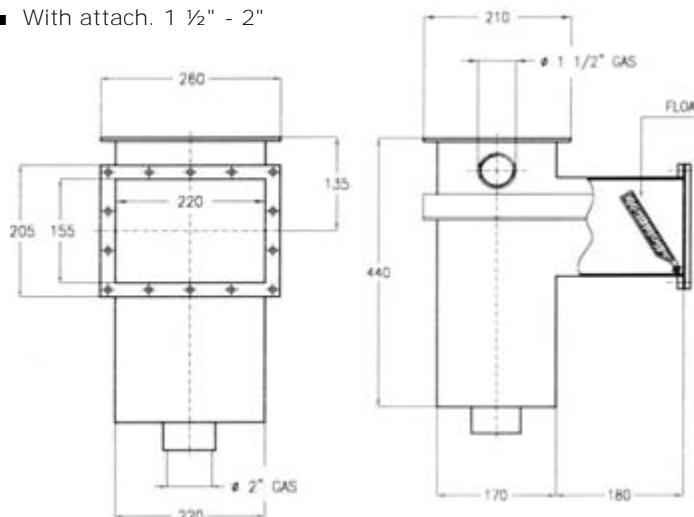
510033 **SKIMMER STANDARD - for concrete pool**

G

510034 **SKIMMER STANDARD - for liner pool**

G

- Made of stainless steel AISI 316 L - V4A
- With attach. 1 1/2" - 2"



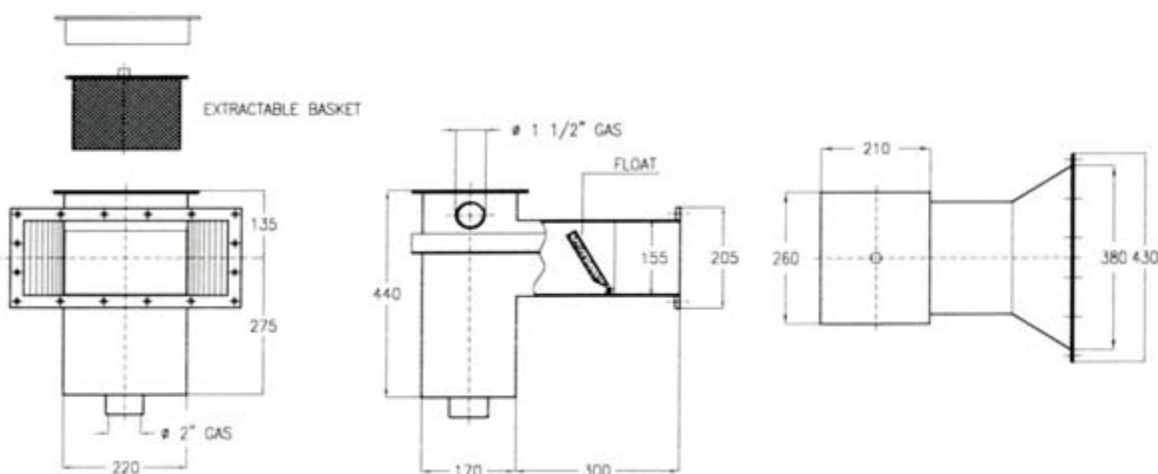
510035 **SKIMMER WIDE MOUNTH - for concrete pool**

G

510036 **SKIMMER WIDE MOUNTH - for liner pool**

G

- Made of stainless steel AISI 316 L - V4A
- With attach. 1 1/2" - 2"



510037 **SKIMMER HORIZONTAL - for concrete pool**

G

510038 **SKIMMER HORIZONTAL - for liner pool**

G

- Made of stainless steel AISI 316 L - V4A
- With extractable basket from front opening



## BIG UNDERWATER LIGHT - STANDARD TYPE



510001 **Standard light 300W - for concrete pool** **Rabat Group** G

510002 **Standard light 300W - for liner pool** G

- Underwater reflector made of polished stainless steel AISI 316 L V4 A
- Parabolic PAR56 lamp 300W / 12V
- Max. diameter: Ø310 mm
- Cable length 3 m (2x6)



510003 **Steel light 300W - for concrete pool** G

510004 **Steel light 300W - for liner pool** G

- Underwater reflector made of polished stainless steel AISI 316 L V4 A
- Parabolic PAR56 lamp 300W / 12V
- Cable length 3 m (2x6)



510100 **Standard light 300W SQUARE - for concrete pool** G

510101 **Standard light 300W SQUARE - for liner pool** G

- Underwater reflector made of stainless steel AISI 316 L V4 A
- Parabolic PAR56 lamp 300W / 12V
- Cable length 3 m (2x6)
- Dimension: 320 x 320 mm

## SMALL UNDERWATER LIGHT - STANDARD TYPE



510110 **Mini light "Mignon" 20W - for concrete pool** **Rabat Group** G

5101101 **Mini light "Mignon" 35W - for concrete pool** G

- Underwater reflector made of stainless steel AISI 316 L V4 A
- Threaded 1¼"
- Cable length 3 m (2x1,5)
- Diameter: Ø106 mm



510111 **Mini light "Mignon" 20W - for prefabricated p.** G

5101111 **Mini light "Mignon" 35W - for prefabricated p.** G

- Underwater reflector made of stainless steel AISI 316 L V4 A
- Threaded and ferrule 1¼"
- Cable length 3 m (2x1,5)
- Diameter: Ø106 mm



510112 **Mini light "Mignon" 20W - for concrete pool** G

5101121 **Mini light "Mignon" 35W - for concrete pool** G

- Underwater reflector made of stainless steel AISI 316 L V4 A
- With recessed niche
- Cable length 3 m (2x1,5)
- Diameter: Ø116 mm



510113 **Mini light "Mignon" 20W - for liner pool** Rabat Group G

5101131 **Mini light "Mignon" 35W - for liner pool** G

- Underwater reflector made of stainless steel AISI 316 L V4 A
- With recessed niche
- Cable lenght 3 m (2x1,5)
- Diameter: Ø116 mm



510114 **Mini light "Mignon" 50W - for concrete pool** G

5101141 **Mini light "Mignon" 65W - for concrete pool** G

- Underwater reflector made of stainless steel AISI 316 L V4 A
- Threaded 2"
- Cable lenght 3 m (2x1,5)
- Diameter: Ø106 mm



510115 **Mini light "Mignon" 50W - for prefabricated p.** G

5101151 **Mini light "Mignon" 65W - for prefabricated p.** G

- Underwater reflector made of stainless steel AISI 316 L V4 A
- Threaded and ferrule 2"
- Cable lenght 3 m (2x1,5)
- Diameter: Ø106 mm



510116 **Mini halogen light 50W - for concrete pool** G

5101161 **Mini halogen light 65W - for concrete pool** G

- Underwater reflector made of stainless steel AISI 316 L V4 A
- With recessed niche
- Cable lenght 3 m (2x1,5)
- Diameter: Ø116 mm

510117 **Mini halogen light 50W - for liner pool** G

5101171 **Mini halogen light 65W - for liner pool** G

- Underwater reflector made of stainless steel AISI 316 L V4 A
- With recessed niche x liner
- Cable lenght 3 m (2x1,5)
- Diameter: Ø116 mm



510118 **Mini halogen light 50W SQUARE - for concrete pool** G

5101181 **Mini halogen light 65W SQUARE - for concrete pool** G

510119 **Mini halogen light 50W SQUARE - for liner pool** G

5101191 **Mini halogen light 65W SQUARE - for liner pool** G

- Underwater reflector made of stainless steel AISI 316 L V4 A
- With recessed niche
- Cable lenght 3 m (2x1,5)
- Dimension: 120 x 120 mm

## SMALL UNDERWATER LIGHT - LED TYPE - ONE COLOUR



- |         |   | <b>Rabat Group</b> |
|---------|---|--------------------|
| 5101261 | <b>LED light Mini 3W - for concrete pool</b>  | G                  |
|         | <ul style="list-style-type: none"> <li>■ Underwater LED light made of stainless steel AISI 316 L V4 A</li> <li>■ Threaded 2"</li> <li>■ Cable lenght 3 m (2x1,5)</li> <li>■ Diameter: Ø106 mm</li> <li>■ <b>3 LEDs</b> (3x 1W)</li> </ul> |                    |

- |        |   |   |
|--------|---|---|
| 510087 | <b>LED light Mini 3W - for prefabricated pool</b>   | G |
|        | <ul style="list-style-type: none"> <li>■ Underwater LED light made of stainless steel AISI 316 L V4 A</li> <li>■ Threaded and ferrule 2"</li> <li>■ Cable lenght 3 m (2x1,5)</li> <li>■ Diameter: Ø106 mm</li> <li>■ <b>3 LEDs</b> (3x 1W)</li> </ul> |   |



- |        |   |   |
|--------|---|---|
| 510089 | <b>LED light Mini 3W - for concrete pool</b>  | G |
| 510090 | <b>LED light Mini 3W - for liner pool</b>   | G |
|        | <ul style="list-style-type: none"> <li>■ Underwater LED light made of stainless steel AISI 316 L V4 A</li> <li>■ With recessed niche</li> <li>■ Cable lenght 3 m (2x1,5)</li> <li>■ Diameter: Ø116 mm</li> <li>■ <b>3 LEDs</b> (3x 1W)</li> </ul> |   |

## MEDIUM UNDERWATER LIGHT - LED TYPE - ONE COLOUR



- |        |   | <b>Rabat Group</b> |
|--------|---|--------------------|
| 510093 | <b>LED light Medium 6W - for concrete pool</b>  | G                  |
| 510094 | <b>LED light Medium 6W - for liner pool</b>   | G                  |
|        | <ul style="list-style-type: none"> <li>■ Underwater LED light made of stainless steel AISI 316 L V4 A</li> <li>■ With recessed niche</li> <li>■ Cable lenght 3 m (2x1,5)</li> <li>■ Diameter: Ø116 mm</li> <li>■ <b>6 LEDs</b> (6x 1W)</li> </ul> |                    |



- |        |   |   |
|--------|---|---|
| 510131 | <b>LED light Medium 11W - for concrete pool</b>   | G |
| 510132 | <b>LED light Medium 11W - for liner pool</b>  | G |
|        | <ul style="list-style-type: none"> <li>■ Underwater LED light made of stainless steel AISI 316 L V4 A</li> <li>■ With recessed niche</li> <li>■ Cable lenght 3 m (2x1,5)</li> <li>■ Diameter: Ø160 mm</li> <li>■ <b>132 LEDs</b></li> </ul> |   |

**BIG UNDERWATER LIGHT - LED TYPE - ONE COLOUR**



510135 **LED light Big 15W - for concrete pool** Rabat Group G

510136 **LED light Big 15W - for liner pool** G

- Underwater LED light made of stainless steel AISI 316 L V4 A
- With recessed niche
- Cable length 3 m (2x1,5)
- Diameter: Ø240 mm
- **15 LEDs** (15x 1W)
- Light Intensity: 5000 Lux



510139 **Super LED 50W - for concrete pool** G

510140 **Super LED 50W - for liner pool** G

- Underwater LED light made of stainless steel AISI 316 L V4 A
- With recessed niche
- Cable length 3 m (2x1,5)
- Diameter: Ø290(Ø320) mm
- **531 LEDs**

**UNDERWATER LIGHT - LED TYPE - RGB COLOUR**



510155 **LED light Mini 132 11W RGB - for concr. pool** Rabat Group G

510156 **LED light Mini 132 11W RGB - for liner pool** G

- Underwater LED light made of stainless steel AISI 316 L V4 A
- With recessed niche
- Cable length 5 m
- Diameter: Ø160 mm
- **132 LEDs**
- **16 colours**



510160 **Super LED 531 50W - for concrete pool** G

510161 **Super LED 531 50W - for liner pool** G

- Underwater LED light made of stainless steel AISI 316 L V4 A
- With recessed niche
- Cable length 3 m (2x1,5)
- Diameter: Ø290 mm
- **531 LEDs**
- **16 colours**



510164 **Super LED 531 50W - for concrete pool** G

510165 **Super LED 531 50W - for liner pool** G

- Underwater LED light made of stainless steel AISI 316 L V4 A
- With recessed niche
- Cable length 3 m (2x1,5)
- Diameter: Ø320 mm
- **531 LEDs - Lamp PAR 56**
- **16 colours**

**ACCESSORIE FOR LED LIGHTS - RGB - CHANGE COLOR**

510159 **Remote control for changing color with receiving (for LED 132-531)** Rabat Group G



## DECK BOX FOR UNDERWATER LIGHT



510009

### Deck box for underwater light

**Rabat  
Group**

G

- Underwater LED light made of stainless steel AISI 316 L V4 A
- Dimension: 130x130x80 mm
- Connection side: 2x R 1/2" in.
- Connection from the bottom: R 3/4" in
- Slip-resistant cover

## BOTTOM DRAINS

- Polished finish (lid)



510010

### Round bottom drain Ø170 - for concrete pool

G

510011

### Round bottom drain Ø170 - for liner pool

G

- Made of stainless steel AISI 316 L V4 A
- Dimension: Ø170, h 125 mm
- Connection side: R 2" in.



510118

### Square bottom drain 20x20 - for concr. pool

G

510119

### Square bottom drain 20x20 - for liner pool

G

- Made of stainless steel AISI 316 L V4 A
- Dimension: 200x200 mm, h 170 mm
- Connection side: R 2" in.

510120

### Square bottom drain 25x25 - for concr. pool

G

510121

### Square bottom drain 25x25 - for liner pool

G

- Made of stainless steel AISI 316 L V4 A
- Dimension: 250x250 mm, h 200 mm
- Connection side: R 3" in.

510122

### Square bottom drain 30x30 - for concr. pool

G

510123

### Square bottom drain 30x30 - for liner pool

G

- Made of stainless steel AISI 316 L V4 A
- Dimension: 300x300 mm, h 200 mm
- Connection side: R 4" in.

510124

### Square bottom drain 40x40 - for concr. pool

G

510125

### Square bottom drain 40x40 - for liner pool

G

- Made of stainless steel AISI 316 L V4 A
- Dimension: 400x400 mm, h 290 mm
- Connection side: flange DN 125

510124

### Square bottom drain 45x45 - for concr. pool

G

510125

### Square bottom drain 45x45 - for liner pool

G

- Made of stainless steel AISI 316 L V4 A
- Dimension: 450x450 mm, h 320 mm
- Connection side: flange DN 150



**BOTTOM INLETS FITTINGS**

- Polished finish



**Bottom inlets type ADJUSTABLE**

510064 **Bottom inlets 2" - adjustable - for concr. pool**

**Rabat Group**

G

510065 **Bottom inlets 2" - adjustable - for liner pool**

G

- Made of stainless steel AISI 316 L V4 A
- Plate adjustable flow
- Connection: external R 2"
- Dimension: Ø145, h 55-60 mm



510066 **Bottom inlets 3" - adjustable - for concr. pool**

G

510067 **Bottom inlets 3" - adjustable - for liner pool**

G

- Made of stainless steel AISI 316 L V4 A
- Plate adjustable flow
- Connection: external R 3"
- Dimension: Ø158, h 60-65 mm

**Bottom inlets type STANDARD (fixed for pipe)**

**Rabat Group**

510012 **Bottom inlets - fixed for pipe 50/63 - for concrete pool**

G

- Made of stainless steel AISI 316 L V4 A
- Fixed to pipe Ø50/63 mm
- Dimension: Ø115, h 70 mm



510013 **Bottom inlets - fixed for pipe 75/90 - for concrete pool**

G

- Made of stainless steel AISI 316 L V4 A
- Fixed to pipe Ø75/90 mm
- Dimension: Ø135, h 70 mm

**Bottom inlets type LUX (fixed for pipe)**

**Rabat Group**

510014 **Bottom inlets LUX - fixed for pipe 50/63 - for concrete pool**

G

- Made of stainless steel AISI 316 L V4 A
- Fixed to pipe Ø50/63 mm
- Dimension: Ø120, h 70 mm
- Flow adjustable butterfly



510015 **Bottom inlets LUX - fixed for pipe 75/90 - for concrete pool**

G

- Made of stainless steel AISI 316 L V4 A
- Fixed to pipe Ø75/90 mm
- Dimension: Ø145, h 70 mm
- Flow adjustable butterfly

**Bottom inlets type KAISER (fixed for pipe)**

**Rabat Group**

510082 **Bottom inlets KAISER - fixed for pipe 50/63 - for concrete pool**

G

- Made of stainless steel AISI 316 L V4 A
- Fixed to pipe Ø50/63 mm
- Dimension: Ø115, h 70 mm



510083 **Bottom inlets KAISER - fixed for pipe 75/90 - for concrete pool**

G

- Made of stainless steel AISI 316 L V4 A
- Fixed to pipe Ø75/90 mm
- Dimension: Ø135, h 70 mm

## WALL INLETS FITTINGS

- Polished finish



### Directional wall inlets for concrete pools

510016 **Wall inlets DIRECTIONAL - R 1½" ext.**

**Rabat  
Group**

G

510017 **Wall inlets DIRECTIONAL - R 2" ext.**

G

510051 **Wall inlets DIRECTIONAL - R 2½" ext.**

G

510052 **Wall inlets DIRECTIONAL - R 3" ext.**

G

- Made of stainless steel AISI 316 L V4 A
- With directional sphere
- Connection: external R ½" - R 3"
- Dimension: Ø96-135 mm, h 35-47 mm



### Directional wall inlets for liner pools

510018 **Wall inlets DIRECTIONAL - R 1½" ext.**

G

510019 **Wall inlets DIRECTIONAL - R 2" ext.**

G

510053 **Wall inlets DIRECTIONAL - R 2½" ext.**

G

510054 **Wall inlets DIRECTIONAL - R 3" ext.**

G

- Made of stainless steel AISI 316 L V4 A
- With directional sphere
- Connection: external R ½" - R 3"
- Dimension: Ø96-145 mm, h 35-47 mm



### Directional wall inlets according to DIN norms for concrete pools

510055 **Wall inlets UNI/DIN NORMS - R 1½" ext.**

G

510056 **Wall inlets UNI/DIN NORMS - R 2" ext.**

G

- Made of stainless steel AISI 316 L V4 A
- With directional sphere according to DIN norms
- Connection: external R ½" - R 3"
- Dimension: Ø88-130 mm, h 35-47 mm



### Directional wall inlets according to DIN norms for liner pools

510059 **Wall inlets UNI/DIN NORMS - R 1½" ext.**

G

510060 **Wall inlets UNI/DIN NORMS - R 2" ext.**

G

- Made of stainless steel AISI 316 L V4 A
- With directional sphere
- Connection: external R ½" - R 3"
- Dimension: Ø88-130 mm, h 35-47 mm

**Rabat  
Group**

**Adjustable wall inlets - butterfly type for concrete pools**



510068 **Wall inlets BUTTERFLY TYPE - R 2" ext.** G

510069 **Wall inlets BUTTERFLY TYPE - R 3" ext.** G

- Made of stainless steel AISI 316 L V4 A
- Flow adjustable butterfly
- Connection: external R 2" - R 3"

**Adjustable wall inlets - butterfly type for liner pools**



510070 **Wall inlets BUTTERFLY TYPE - R 2" ext.** G

510071 **Wall inlets BUTTERFLY TYPE - R 3" ext.** G

- Made of stainless steel AISI 316 L V4 A
- Flow adjustable butterfly
- Connection: external R 2" - R 3"

**Adjustable wall inlets for concrete pools**



510072 **Wall inlets ADJUSTABLE - R 2" ext.** G

510073 **Wall inlets ADJUSTABLE - R 3" ext.** G

- Made of stainless steel AISI 316 L V4 A
- Flow adjustable
- Connection: external R 2" - R 3"
- Dimension: Ø100-135 mm, h 42-47 mm

**Adjustable wall inlets for liner pools**



510074 **Wall inlets ADJUSTABLE - R 2" ext.** G

510075 **Wall inlets ADJUSTABLE - R 3" ext.** G

- Made of stainless steel AISI 316 L V4 A
- Flow adjustable
- Connection: external R 2" - R 3"
- Dimension: Ø122-145 mm, h 42-47 mm

**Adjustable wall inlets for fiberglass pools**



510076 **Wall inlets ADJUSTABLE - R 2" ext.** G

510077 **Wall inlets ADJUSTABLE - R 3" ext.** G

- Made of stainless steel AISI 316 L V4 A
- Flow adjustable
- Connection: external R 2" - R 3"
- Dimension: Ø122-145 mm, h 42-47 mm

**SUCTIONS FOR VACUUM CLEANER**

- Polished finish

**Rabat  
Group**



510020 **Suctions for vacuum cleaner - for concr. pool** G

510021 **Suctions for vacuum cleaner - for liner pool** G



- Made of stainless steel AISI 316 L V4 A
- With cover
- Connection: external R 2"
- Dimension: Ø100 mm, h 47-50 mm



## FOUNTAIN SUCTIONS FITTINGS

- Polished finish



		<b>Rabat Group</b>
	<b>For concrete pools</b>	
510041	<b>Fountain suctions - pierced - R 1½" ext.</b>	G
510042	<b>Fountain suctions - pierced - R 2" ext.</b>	G
510043	<b>Fountain suctions - pierced - R 2½" ext.</b>	G
510044	<b>Fountain suctions - pierced - R 3" ext.</b>	G
510045	<b>Fountain suctions - pierced - R 4" ext.</b>	G
	<ul style="list-style-type: none"> <li>■ Made of stainless steel AISI 316 L V4 A</li> <li>■ Flow adjustable</li> <li>■ Connection: external R ½" - R 4"</li> <li>■ Dimension: max. Ø210, max. h 50 mm</li> </ul>	

### For liner pools

510046	<b>Fountain suctions - pierced - R 1½" ext.</b>	G
510047	<b>Fountain suctions - pierced - R 2" ext.</b>	G
510048	<b>Fountain suctions - pierced - R 2½" ext.</b>	G
510049	<b>Fountain suctions - pierced - R 3" ext.</b>	G
510050	<b>Fountain suctions - pierced - R 4" ext.</b>	G
	<ul style="list-style-type: none"> <li>■ Made of stainless steel AISI 316 L V4 A</li> <li>■ Flow adjustable</li> <li>■ Connection: external R ½" - R 4"</li> <li>■ Dimension: max. Ø210, max. h 50 mm</li> </ul>	

## THROUGH WALL FOR INLET FITTINGS AND SUCTION



		<b>Rabat Group</b>
	<b>For concrete pools</b>	
510022	<b>Through wall - R1½" ext/int - leng. 25/35cm</b>	G
510023	<b>Through wall - R 2" ext/int - lenght 25/35 cm</b>	G
510024	<b>Through wall - R 3" ext/int - lenght 40 cm</b>	G
510025	<b>Through wall - R 4" ext/int - lenght 40 cm</b>	G
510026	<b>Through wall - R 5" ext/int - lenght 40 cm</b>	G
	<ul style="list-style-type: none"> <li>■ Made of stainless steel AISI 316 L V4 A</li> <li>■ Lenght: 250/350 - 400 mm</li> <li>■ Connection: internal=external R ½" - R 5"</li> </ul>	

**THROUGH WALL FLANGED FOR LINER**



		<b>Rabat Group</b>
	<b>For liner pools</b>	
510027	<b>Through wall - R 1½" ext/int - lenght 10 cm</b>	G
510028	<b>Through wall - R 1½" ext/int - lenght 25 cm</b>	G
510029	<b>Through wall - R 2" ext/int - lenght 10 cm</b>	G
510030	<b>Through wall - R 2" ext/int - lenght 25 cm</b>	G
510031	<b>Through wall - R 3" ext/int - lenght 10 cm</b>	G
510032	<b>Through wall - R 3" ext/int - lenght 40 cm</b>	G
510048	<b>Through wall - R 4" ext/int - lenght 10 cm</b>	G
510049	<b>Through wall - R 4" ext/int - lenght 40 cm</b>	G

**CHANNEL DRAINS FOR POOL LEVEL**





- Polished finish





		<b>Rabat Group</b>
510039	<p><b>Channel drains for pool level 63/75 - for concrete pool</b></p> <ul style="list-style-type: none"> <li>■ Made of stainless steel AISI 316 L V4 A</li> <li>■ Complete with hook for fixing</li> <li>■ Fixed to pipe Ø63/75 mm</li> <li>■ Dimension: Ø108, h 70 mm</li> </ul>	G
510040	<p><b>Channel drains for pool level 90/110 - for concrete pool</b></p> <ul style="list-style-type: none"> <li>■ Made of stainless steel AISI 316 L V4 A</li> <li>■ Complete with hook for fixing</li> <li>■ Fixed to pipe Ø90/110 mm</li> <li>■ Dimension: Ø130, h 80 mm</li> </ul>	G

## WALL FITTINGS OF BRONZE

### SKIMMERS

		<b>Rabat Group</b>
	1000020 <b>SKIMMER 160 mm with 2-way valve</b> <ul style="list-style-type: none"> <li>■ With 2-way valve</li> <li>■ Made of bronze</li> <li>■ Rectangular cover made of stainless steel</li> <li>■ Connection thread: G2" internal</li> <li>■ Depth: 160 mm</li> <li>■ Dimensions: height 402 mm, width 300 mm</li> <li>■ Mounting in all kind of pool</li> </ul>	G
	1010020 <b>SKIMMER 160 mm</b> <ul style="list-style-type: none"> <li>■ Made of bronze</li> <li>■ Rectangular cover made of stainless steel</li> <li>■ Connection thread: G2" internal</li> <li>■ Depth: 160 mm</li> <li>■ Dimensions: height 402 mm, width 300 mm</li> <li>■ Mounting in all kind of pool</li> </ul>	G
	1252020 <b>SKIMMER 240 mm with 2-way valve</b> <ul style="list-style-type: none"> <li>■ With 2-way valve</li> <li>■ Made of bronze</li> <li>■ Rectangular cover made of stainless steel</li> <li>■ Connection thread: G2" internal</li> <li>■ Depth: 160 mm</li> <li>■ Dimensions: height 402 mm, width 300 mm</li> <li>■ Mounting in all kind of pool</li> </ul>	G
	1262020 <b>SKIMMER 240 mm</b> <ul style="list-style-type: none"> <li>■ Made of bronze</li> <li>■ Rectangular cover made of stainless steel</li> <li>■ Connection thread: G2" internal</li> <li>■ Depth: 160 mm</li> <li>■ Dimensions: height 402 mm, width 300 mm</li> <li>■ Mounting in all kind of pool</li> </ul>	G

### ACCESSORIES FOR SKIMMERS

		<b>Rabat Group</b>
	1052020 <b>Flange kits for liner pools 2 part</b>	G
	1062020 <b>Blind frame for tile pools</b>	G
	1020050 <b>Extensions made of gun metal complete with gasket and screws Length 50 mm</b>	G
	1030050 <b>Extensions made of gun metal complete with gasket and screws Length 100 mm</b>	G
	1040050 <b>Extensions made of gun metal complete with gasket and screws Length 300 mm</b>	G
	1045050 <b>Extensions made of gun metal complete with gasket + screws</b>	G
	1046050 <b>Flange kits for extension with 350 mm wide suction side</b>	G
	1045520 <b>Blind frame for extension with 350 mm wide suction side</b>	G

**LEVEL REGULATOR**

**Rabat Group**



- 1601020 **Mechanical water level controller** G
- Made of bronze
  - Cover made of stainless steel V4 A
  - Mounting depth 140 mm
  - In connection with skimmer 1000020 and 1010020
  - Internal thread G2 for angling or screwing in an inlet shell



- 1620020 **Mechanical water level controller** G
- Made of bronze
  - Cover made of stainless steel V4 A
  - In connection with skimmer 1252020 and 1262020



- 1702050 **Electronic water level** G
- With solenoid valve 1/2" for mounting into skimmer 1252020 and 1262020

**BOTTOM DRAINS FOR ALL KINDS OF POOL**

**Rabat Group**



- 2005020 **Bottom drain 2" - bottom outlet** G
- Made of bronze
  - Bottom outlet G 2" int.
  - Diameter: Ø 168 mm
  - Anti-vortex-cover made of stainless steel V4 A



- 2015020 **Bottom drain 2" - side outlet** G
- Made of bronze
  - Side outlet 90° G 2" int.
  - Diameter: Ø 168 mm
  - Anti-vortex-cover made of stainless steel V4 A

- 2030050 **Flange for liner pools** G

**GUTTER DRAIN**

**Rabat Group**



- 2200020 **Gutter drain 100 x 60 mm** G

- 2210020 **Gutter drain 160 x 60 mm** G
- Made of gunmetal
  - Cover made of stainless steel V4 A
  - Bottom outlet G 2" int.



## THROUGH WALL



### For liner and concrete pools

3021050 **Through wall - lenght 24 cm  
G 2" int. x G 1½" int.**

**Rabat  
Group**

G

3001050 **Through wall - lenght 24 cm  
G 2" int. x G 2" int.**

G

- Made of bronze
- Length: 240 mm



### For concrete pools

3040050 **Through wall - lenght 24 cm  
G 1½" int. x G 1½" int.**

G

3050050 **Through wall - lenght 10 cm  
G 2" int. x G 2" int.**

G

- Made of bronze

## INLET NOZZLES



### For concrete pools

3100420 **Inlet nozzle - G 1½" ext. , lenght 40 mm**

**Rabat  
Group**

G

3100720 **Inlet nozzle - G 1½" ext. , lenght 70 mm**

G

3101420 **Inlet nozzle - G 2" ext. , lenght 40 mm**

G

3101720 **Inlet nozzle - G 2" ext. , lenght 70 mm**

G

- Made of bronze
- With cover and ball Ø 18 mm made of stainless steel V4 A
- Diameter: Ø100 mm



### For liner pools

3103420 **Inlet nozzle - G 1½" ext. , lenght 40 mm**

G

3104420 **Inlet nozzle - G 2" ext. , lenght 40 mm**

G

- Made of bronze
- With cover and ball Ø 18 mm made of stainless steel V4 A
- Diameter: Ø100 mm

## INLET FITTINGS



### For concrete pools

3780420 **Inlet fitting - G 1½" ext. , lenght 40 mm**

**Rabat  
Group**

G

3780720 **Inlet fitting - G 1½" ext. , lenght 70 mm**

G

3782420 **Inlet fitting - G 2" ext. , lenght 40 mm**

G

3782720 **Inlet fitting - G 2" ext. , lenght 70 mm**

G

- Made of bronze
- With cover made of stainless steel V4 A
- Diameter: Ø100 mm



3800000 **Inlet fitting NiSn - G 2" ext. , lenght 40 mm**

G

- Made of bronze
- With covering NiSn
- Diameter: Ø100 mm

**INLET FITTINGS**



**For liner pools**

3786020 **Inlet fitting - G 1½" ext. , lenght 40 mm**

3787020 **Inlet fitting - G 2" ext. , lenght 40 mm**

- Made of bronze
- With cover made of stainless steel V4 A
- Diameter: Ø100 mm

**Rabat Group**

G

G

**BOTTOM INLETS FITTINGS**



3860020 **Bottom inlets adjustable- G 1½" ext.**

3864020 **Bottom inlets adjustable- G 2" ext.**

3862050 **Flange for liner pools**  
with gasket and screws

- Made of bronze
- Quantity regulable and lockable
- With cover made of stainless steel V4 A

**Rabat Group**

G

G

G

**SUCTION FITTINGS**



**For concrete pools**

3915020 **Suction fitting - G 2" ext. , lenght 40 mm**

3916020 **Suction fitting - G 2" ext. , lenght 70 mm**

- Made of bronze
- Diameter: outside Ø98 mm, inside Ø51 mm
- With cover made of stainless steel V4 A

**Rabat Group**

G

G



**For liner pools**

3945020 **Suction fitting - G 2" ext. , lenght 40 mm**

- Made of bronze
- Diameter: outside Ø98 mm, inside Ø51 mm
- With cover made of stainless steel V4 A
- With flange for liner pool

G

**ACCESSORIES FOR SUCTION NOZZLES**



3920000 **Hose suction nozzle**

- Made of NiSn
- With O-Ring 40 x 5
- Diameter: Ø50 mm - NW 38

**Rabat Group**

G



3930000 **Plug-in socket stopple**

- Made of NiSn
- With O-Ring 40 x 5
- Diameter: Ø50 mm - NW 38

G

## UNDERWATER PROJECTOR 300 W



4100050 **Niche for concrete and liner pool**

- Made of gunmetal
- With hose for cable

**Rabat Group**

G

4060050 **Flange for liner pools to niche 4100050**

- Made of gunmetal

G



4130020 **Underwater light with lamp PAR 56 - 300 W**

- Cover made of polished stainless steel V4 A
- Parabolic PAR56 lamp 300W / 12V
- Max. diameter: Ø270 mm
- Cable length 2,5 m (2x6 mm<sup>2</sup>)

G

4130090 **Underwater light with lamp PAR 56 - 300 W**

- Cover made of white ABS
- Parabolic PAR56 lamp 300W / 12V
- Max. diameter: Ø270 mm
- Cable length 2,5 m (2x6 mm<sup>2</sup>)

G



4010020 **Connection box**

- Made of gunmetal
- Cover made of stainless steel V4 A
- Connection: M25 x 1,5

G

## SMALL UNDERWATER PROJECTOR



4250050 **Niche for concrete and liner pool**

- Made of gunmetal
- With hose for cable

**Rabat Group**

G

4251050 **Flange for liner pools to niche 4250050**

- Made of gunmetal

G



4240020 **Halogen underwater light 50 W**

- Cover made of polished stainless steel V4 A
- Halogen lamp 50W / 12V
- Max. diameter: Ø110 mm
- Cable length 2,5 m (2x1,5 mm<sup>2</sup>)

G



4231000 **Mini-halogen underwater light 20 W**

- Cover made of NiSn
- Halogen lamp 20W / 12V
- Max. diameter: Ø85 mm
- Cable length 2,5 m (2x1,5 mm<sup>2</sup>)

G

**POWER LED - BIG 12x3 W**



4100050 **Niche for concrete and liner pool**

- Made of gunmetal
- With hose for cable

**Rabat Group**

G

4060050 **Flange for liner pools to niche 4100050**

- Made of gunmetal

G



4147020 **POWER - LED - 12x3 W - WHITE**

G

4148020 **POWER - LED - 12x3 W - BLUE**

G

- White or blue colour
- Cable length 5 m (2x1,5 mm<sup>2</sup>)
- LED light 12x 3W / 12V
- Max. diameter: Ø270 mm
- Cover made of polished stainless steel V4 A

4149020 **POWER - LED - 12x3 W - RGB**

G

- Changed colour
- Cable length 5 m (4x1,5 mm<sup>2</sup>)
- LED light 12x 3W / 12V
- Max. diameter: Ø270 mm
- Cover made of polished stainless steel V4 A

**POWER LED - BIG 24x3 W**



4400020 **Niche for concrete, liner and stainless s. pool cable outlet side**

**Rabat Group**

G

4400120 **Niche for concrete, liner and stainless s. pool cable outlet bottom**

G

- Made of stainless steel V4 A
- With hose for cable



4380020 **POWER - LED - 24x3 W - WHITE**

G

4380120 **POWER - LED - 24x3 W - BLUE**

G

4380320 **POWER - LED - 24x3 W - WARM WHITE 3000 K**

G

4380420 **POWER - LED - 24x3 W - COLD WHITE 4500 K**

G

- White or blue colour
- Cable length 5 m (2x1,5 mm<sup>2</sup>)
- LED light 24x 3W / 12V
- Max. diameter: Ø270 mm
- Cover made of polished stainless steel V4 A

4380220 **POWER - LED - 24x3 W - RGB**

G

- Changed colour
- Cable length 5 m (4x1,5 mm<sup>2</sup>)
- LED light 12x 3W / 12V
- Max. diameter: Ø270 mm
- Cover made of polished stainless steel V4 A



## POWER LED - MEDIUM



		<b>Rabat Group</b>
4266050	<b>Niche for concrete and liner pool</b> ■ Made of gunmetal	G
4267050	<b>Flange for liner pools to niche 4266050</b>	G
4269520	<b>POWER - LED - 12x3 W - WHITE</b>	G
4269620	<b>POWER - LED - 12x3 W - BLUE</b>	G
4269720	<b>POWER - LED - 12x3 W - WARM WHITE</b>	G
4269820	<b>POWER - LED - 12x3 W - COLD WHITE</b>	G
4269920	<b>POWER - LED - 12x3 W - RGB</b> ■ Cable lenght 5 m (2x1,5 mm <sup>2</sup> - RGB 4x1,5 mm <sup>2</sup> ) ■ LED light 12x 3W / 12V ■ Max. diameter: Ø146 mm ■ Cover made of polished stainless steel V4 A	G

## POWER LED - SMALL



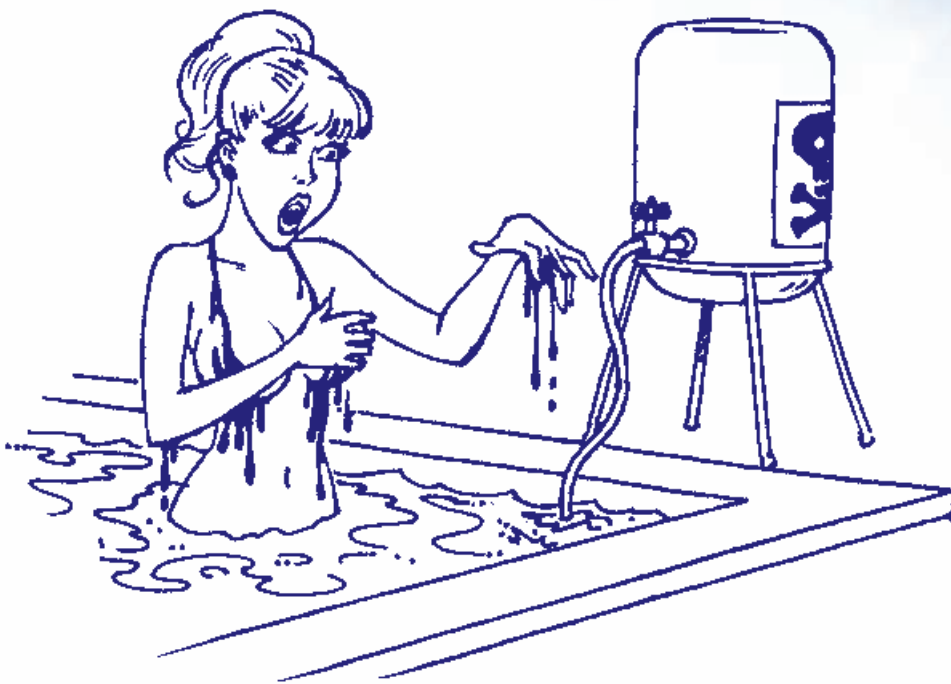
		<b>Rabat Group</b>
4250050	<b>Niche for concrete and liner pool</b> ■ Made of gunmetal ■ With hose for cable	G
4251050	<b>Flange for liner pools to niche 4266050</b> ■ Made of gunmetal	G
4320020	<b>POWER - LED - 4x3 W - WHITE, 12° angle</b>	G
4320120	<b>POWER - LED - 4x3 W - WHITE, 30° angle</b>	G
4320220	<b>POWER - LED - 4x3 W - WHITE, 50° angle</b> ■ Cable lenght 2 m (2x1 mm <sup>2</sup> ) ■ LED light 4x 3W / 12V ■ Max. diameter: Ø110 mm ■ Cover made of stainless steel V4 A ■ For niche 4250050	G
4320000	<b>POWER - LED - 4x3 W - WHITE, 12° angle</b>	G
4320500	<b>POWER - LED - 4x3 W - BLUE, 30° angle</b>	G
4320700	<b>POWER - LED - 4x3 W - RGB, 30° angle</b> ■ Cable lenght 2 m (2x1 mm <sup>2</sup> - RGB 4x1 mm <sup>2</sup> ) ■ LED light 4x 3W / 12V ■ Max. diameter: Ø71 mm ■ Cover made of NiSn ■ Counter nut G1½"	G

## TRANSFORMERS AND CONTROL UNITS



4330050	<b>Main appliance for 4 Power-LED</b> 4 x 3 W, monochrom	G
4330250	<b>Main appliance for 4 Power-LED</b> 4 x 3 W, RGB	G
4380050	<b>Main appliances for</b> DC 1 Power-LED inset 24 x 3 W, 12 V DC white and blue or 2 Power-LED inset 12 x 3 W, 12 V DC white and blue or 8 Power-LED inset 4 x 3 W, 12 V monochrom	G
4330250	<b>Main appliances for 4 Power-LED 4x3W, RGB</b>	G

# ***MEASURING & CONTROL UNITS, DOSING PUMPS***



## MEASURING & CONTROL UNITS & DOSING FOR PUBLIC SWIMMING POOLS

### MaR Infinity OPTIDOS PLATINUM pH+ Rx + Cl + T

Panel for the control and adjustment of pH and chlorine with a potentiostatic probe composed of a multiparameter instrument pH/Rx/Cl/T and 2 proportional to mA signal pumps

Rabat  
Group

300504

#### OPTIDOS PLATINUM

Flow: 8 l/h, Pressure: 6 bar

**Other Flow Rates on request !**

A



#### PVC panel with hidden connection line (one only plug out)

- Two ME1-mA electromagnetic proportional pumps driven by controllers
- One MS-MP Multiparametric Controller
- One CG-CL3 Chlorine electrode
- One pH electrode
- Digital display for realtime reading and programming
- Professional programming options
- One 50 microns filter ahead for cleaning incoming water
- Supplied assembled and ready for usage
- Supplied complete with an installation kit
- Low level switch possibility on demand (on both pumps)

#### Standard accesorry Kit:

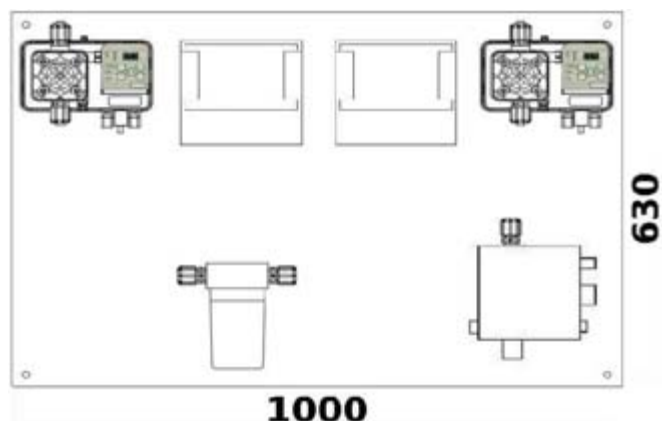
- PP Injecton Viton lip Valve - 2x
- PE Injection Tube 2 mt - 2x
- PVC Suction Tube - 2x
- PP Foot Filter - 2x
- PVC Bleed Tube - 2x

#### Optional:

- PP inj. Pyrex Ball valves with hastelloy spring - 2x

**Package:** 1050 x 660 x 260

**Weight:** 15 kg





## MaR Infinity OPTIDOS PLATINUM CONNECT pH, Rx, Cl + T

Panel for the control and adjustment of pH and chlorine with a potentiostatic probe composed of a multiparameter instrument pH/Rx/Cl/T and 2 proportional to mA signal pumps

**For connection:** 1 modem Internet/Intranet, 1 PC software

**Composition:** ME 1 - pH pump, ME1 - Rx pump, pH probe, Redox probe, both type probe holder, buffer solution, cables in IP 65 box, control unit, amperometric cl - probe

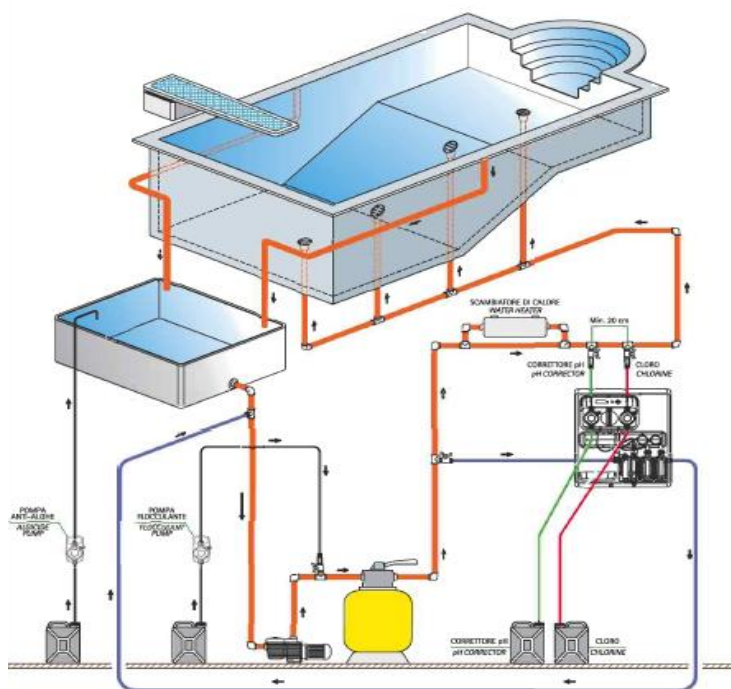
		Rabat Group
300552	<b>OPTIDOS PLATINUM CONNECT</b> Flow: 8 l/h, Pressure: 6 bar	A
300553	<b>MODEM Internet/Intranet</b> Control of all parameters: pH, Rx, chlorine, temperature Parametr visualization instantaneous Value memory with graphic	A
300554	<b>Software for PC</b> PC software compatible with windows and XP	A



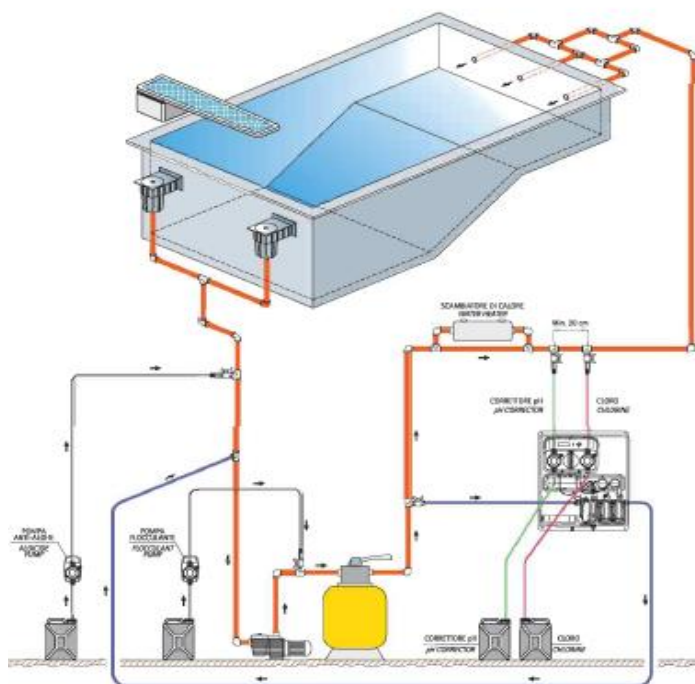


**CHECK THE QUALITY OF YOUR WATER FROM ANYWHERE**

**Swimming pool with overflow gratings**



**Swimming pool with skimmer**



## COMPLETE MEASURING, REGULATION AND DOSING FOR PRIVATE POOLS

### MaR Infinity POOL SILVER pH + Rx

#### Characteristics

- Pool water monitoring system, supplied with a proportional
- Solenoid (Diaphragm) dosing Pump with an on-board instrument for pH regulation, a proportional to mA dosing pump, control instrument for chlorine, assembled and cabled on a PVC panel, power supplied at 230 VAC.

#### Composition

- ME1 - pH pump
- ME1 - mA pump
- MSB-CI chlorine instrument
- pH probe
- Redox probe
- Bath type probe holder
- Buffer solution
- Cables in IP 65 box

- CHECK THE QUALITY OF YOUR WATER FROM ANYWHERE



Rabat Group

300555 OPTIDOS POOL SILVER CONNECT

A

CODE	TYPE	l/h	bar	Pulse/min.	ml/Pulse	LENGHT	WATT	TUBE Ø	PANEL DIMENSION	WEIGHT
300555	P. SILVER C. pH+Rx	5	8	180	0,46	1,1	100	4x6 mm	800x600 mm	12 kg

Other Flow Rates on request !

#### STANDARD ACCESSORY KIT:

- injection valve, PP, VITON lip - 2 pcs
- injection tube, PE - 2x 2 m
- suction tube, PVC - 2 pcs
- bleed tube, PVC - 2 pcs
- foot filter, PP - 2 pcs

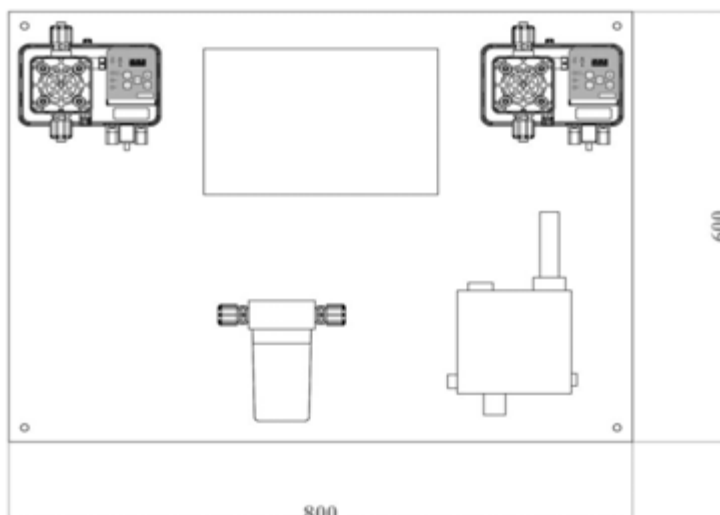
#### LIQUID ENDS:

- Pump head: PP
- Diaphragm: PTFE
- Double ball valv.: Pyrex
- Injection fittings: PP
- O-rings: Viton
- LIP valve: Viton
- Spring valve: Hastell. / Pyrox

#### Standard

#### Optional

- PVC/PTFE
- AlSI316/PTFE
- Dutral
- AlSI316



**MaR Infinity POOL STEEL CONNECT pH + Rx**

**Characteristics**

Pool water monitoring system, supplied with two constant analogic Solenoid (Diaphragm) Pumps, and a MS-PRCU pH/Redox instrument, assembled and cabled on a PVC panel, power supply at 230 VAC.

**Composition**

- 2 ME1 - CA pumps
- MS-PRCU pH/Rx instrument
- pH probe
- Redox probe
- Bath type probe holder
- Buffer solution
- Cables in IP 65 box



**Rabat Group**

300558	<b>OPTIDOS POOL STEEL CONNECT</b>	A
300559	<b>MODEM GSM/GPRS - Internet/Intranet</b> Control of Ph and Rx Parametr visualization instantaneous Value memory with graphic	A
300560	<b>Software for PC</b> PC software compatible with Windows XP and later	A

CODE	TYPE	l/h	bar	Pulse/min.	ml/Pulse	LENGHT	WATT	TUBE Ø	PANEL DIMENSION	WEIGHT
300558	P. STEEL C. pH+Rx	8	5	160	0,83	1,1	100	4x6 mm	800x600 mm	12 kg

*Other Flow Rates on request !*

**STANDARD ACCESSORY KIT:**

- injection valve, PP - 2 pcs
- injection tube, PE - 2x 2 m
- suction tube, PVC - 2 pcs
- bleed tube, PVC - 2 pcs
- foot filter, PP - 2 pcs

**LIQUID ENDS:**

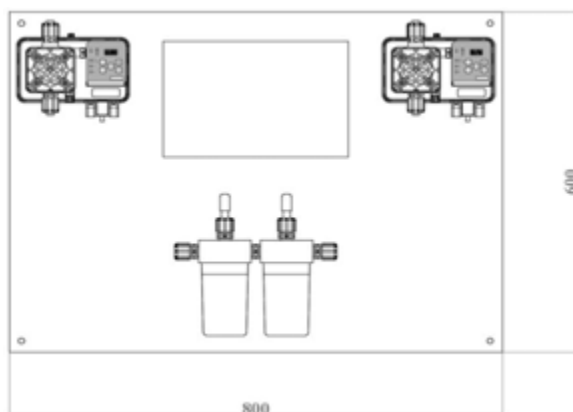
- Pump head:
- Diaphragm:
- Double ball valv.:
- Injection fittings:
- O-rings:
- LIP valve:
- Spring valve:

**Standard**

- PP
- PTFE
- Pyrex
- PP
- Viton
- Viton
- Hastell.
- / Pyrox

**Optional**

- PVC/PTFE
- AISI316/PTFE
- Dutral
- Dutral
- AISI316



## MaR Infinity OPTIDOS POOL BLUE pH + Rx

- Pool water monitoring system, supplied with two proportional
- ABS Thermo-formed elegant panel
- Two electromagnetic dosing pumps with ME1-pH and ME1-Rx on-board pH/Rx controllers
- Digital display for reading and programming
- Professional programming options, pH+ pH-, setpoint, ..
- T.A.L. security system timed alarm for product end and electrode health testing system on demand
- Bath type electrode holder, with one 50 microns filter ahead
- Supplied assembled and ready for usage
- Supplied complete with an installation kit
- Double power supply, for Recycling pump dosing consense on demand
- Low level switch possibility on demand
- Power supplied at 230 VAC
- Cables in IP 65 box
- Package 470 x 530 x 175 mm



Rabat Group

300501 **Infinity Optidos Pool Blue pH + Rx**

A

CODE	TYPE	l/h	bar	Pulse/min.	ml/Pulse	LENGHT	WATT	TUBE Ø	PANEL DIMENSION	WEIGHT
300501	POOL BLUE pH + Rx	5	8	180	0,46	1,1	100	4x6 mm	450x510 mm	9 kg

*Other Flow Rates on request !*

### STANDARD ACCESSORY KIT:

- injection valve, PP, VITON lip - 2 pcs
- injection tube, PE - 2x 2 m
- suction tube, PVC - 2 pcs
- bleed tube, PVC - 2 pcs
- foot filter, PP - 2 pcs

### LIQUID ENDS:

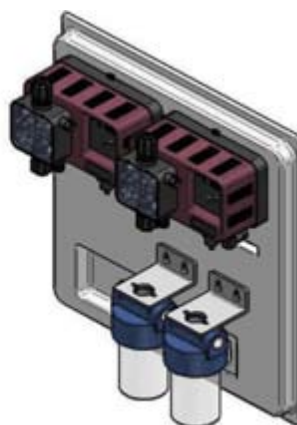
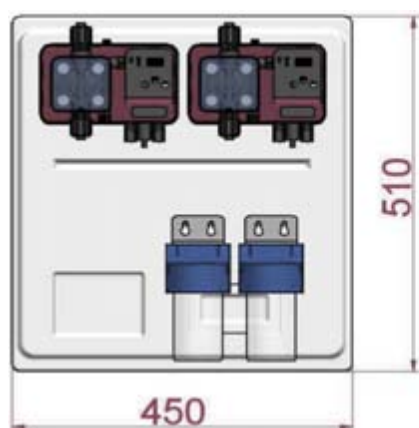
- Pump head:
- Diaphragm:
- Double ball valv.:
- Injection fittings:
- O-rings:
- LIP valve:
- Spring valve:

### Standard

- PP
- PTFE
- Pyrex
- PP
- Viton
- Viton
- Hastell.
- / Pyrox

### Optional

- PVC/PTFE
- AlSI316/PTFE
- Dutral
- AlSI316





**MaR Infinity OPTIDOS SPEEDYPOOL pH + Rx**

- ABS Thermo-formed elegant panel
- Two MP1 Speedy -pH/Rx, dosing pumps with on-board pH/Rx controller.
- Digital display for reading and programming.
- Easy programming and calibration, possible with just two buttons and a digital display.
- T.A.L. security testing system [ timed alarm ] for possible chemical end or electrode reading defect.
- Plexiglass transparent electrode holder, with a window in the case showing the state of electrodes and water flow.
- A red light back illuminating the electrodes once the product is turned ON .
- Internal tap for water sampling (under the ABS front cover ).
- Minimal maintenance required .
- Supplied assembled and ready for usage.
- Supplied complete with an installation kit.



**Rabat Group**

300564 **Infinity Optidos Speedypool pH + Rx**

A

CODE	TYPE	l/h	ml/min	barP	RPM	VAC	WATT	INNER TUBE	TUBE Ø	PACKAGE	WEIGHT
300564	OPTIDOS	pH: 1,0	16,6	1	18	230	3,5	San	4x6 mm	48x32x15 cm	3,5 kg
	SPEEDYPOOL	Rx: 1,8	29,8	1	30	230	3,5	San	4x6 mm		

*Other Flow Rates on request !*

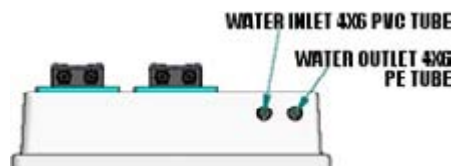
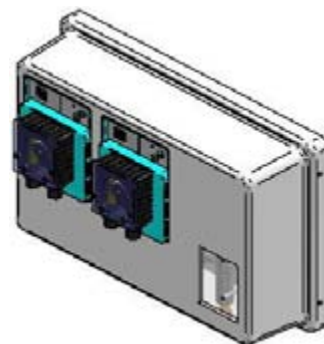
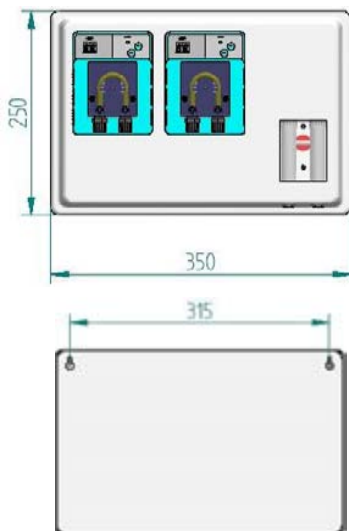
**STANDARD ACCESSORY KIT:**

- injection valve, PP, VITON lip - 2 pcs
- injection tube, PE - 2x 2 m
- suction tube, PVC - 2 pcs
- mouting screws
- foot filter, PP - 2 pcs

**LIQUID ENDS:**

**Standard**

- Tube: Santoprene 4x7
- Fettings: PP
- Foot filter: PP-Viton (one way)
- Injection valve: Viton



## MEASURING & CONTROL UNITS & DOSING FOR PRIVATE SWIMMING POOLS

### MaR Infinity OPTIDOS pH

- Solenoid proportional digital pump with a built-in pH controller EXAMPLE
- 0 - 14 pH reading range, Realtime display visualisation of the pH
- Probe efficiency indication
- Automatic dosing choice with pH+ or pH-
- Definition of the proportionality greatness range
- Semi-automatic probe calibration
- Easy installation and minimal maintenance
- Can also work as constant digital pump with pulsation adjustment 0-180
- 3x7 Segments digital display, Stand-by button and 5 State leds
- Pump head with manual bleed for pressure priming
- PP CASE and HEAD reinforced 30% talk
- IP 65 protection
- Security and reliability
- Polycarbonate front panel
- Wall mounting with stirrup
- 2,5 mt power supply cable
- Accessories Kit with ball injection valve, hastelloy spring



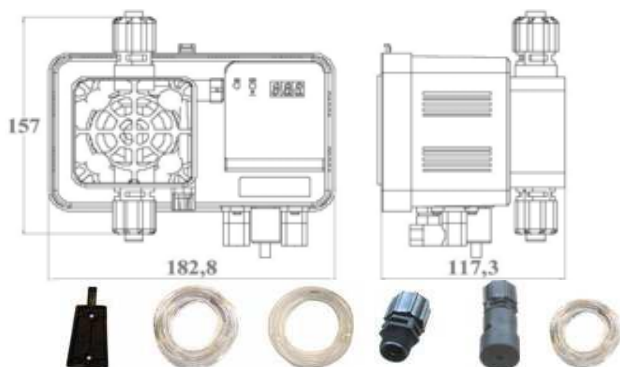
Rabat Group

300503 Infinity OPTIDOS pH

A

CODE	TYPE	l/h	ml/pulse	bar	max. pulse/min	STROKE	WATT	TUBE	PACKAGE	WEIGHT
300503	OPTIDOS pH	5	0,46	8	180	1,1	50	4x6 mm	15x23x28 cm	3,5 kg

Other Flow Rates on request !



#### LIQUID ENDS:






	Standard	Optional
■ Pump head:	PP	PVC/PTFE
■ Diaphragm:	PTFE	
■ Valve Balls:	Pyrex	AISI316/Cer.
■ Injection fittings:	PP	
■ O-rings:	Viton	Dutral
■ LIP valve:	Viton	
■ Ball valve:	Hastell. / Pyrox	AISI316

#### STANDARD ACCESSORY KIT:

- injection valve, PP - 1 pc
- injection tube, PE - 2 m
- suction tube, PVC cristal - 2 m
- bleed tube, PVC cristal - 1,5 m
- foot filter, PP - 1 pc

### Accessories for OPTIDOS pH

Rabat Group

	300515	Buffer for calibration pH 4	A
	300516	Buffer for calibration pH 7	A
	300517	Buffer for calibration pH 9	A
	300511	Measuring electrode pH 1 - cable 1 m	A
	300512	Measuring electrode pH 10 - cable 10 m - cable 1 m	A
	300519	Measuring cell holder suitable for 1 probe	A
	300521	PP electrode holder for pipeline	A
	300520	PVC electrode holder for immersion available in different lengths	A
	300522	Bath type electrode holder mounting bracket	A
	300523	Level probe - 2 m cable	A



**MaR Infinity OPTIDOS Rx**

- Solenoid proportional digital pump with a built-in ORP controller EXAMPLE
- 0 - 999 mV reading range, Realtime display visualisation of the mV value
- Probe efficiency indication
- Definition of the proportionality greatness range
- Semi-automatic probe calibration
- Easy installation and minimal maintenance
- Can also work as constant digital pump with pulsation adjustment 0-180
- 3x7 Segments digital display, Stand-by button and 5 State leds
- Pump head with manual bleed for pressure priming
- PP CASE and HEAD reinforced 30% talk
- IP 65 protection
- Security and reliability
- Polycarbonate front panel
- Wall mounting with stirrup
- 2,5 mt power supply cable
- Accessories Kit with ball injection valve, hastelloy spring



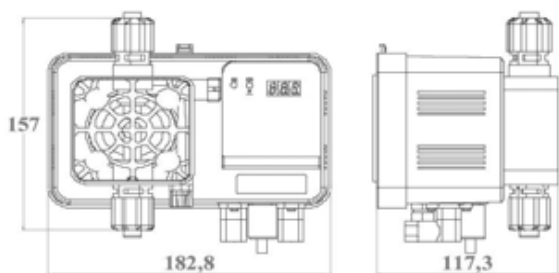
**Rabat Group**

300502 **Infinity OPTIDOS Rx**

A

CODE	TYPE	l/h	ml/pulse	bar	max. pulse/min	STROKE	WATT	TUBE	PACKAGE	WEIGHT
300502	OPTIDOS Rx	5	0,46	8	180	1,1	50	4x6 mm	15x23x28 cm	3,5 kg

**Other Flow Rates on request !**



**LIQUID ENDS:**








	Standard	Optional
■ Pump head:	PP	PVC/PTFE
■ Diaphragm:	PTFE	
■ Valve Balls:	Pyrex	AISI316/Cer.
■ Injection fittings:	PP	
■ O-rings:	Viton	Dutral
■ LIP valve:	Viton	
■ Ball valve:	Hastell. / Pyrox	AISI316

**STANDARD ACCESSORY KIT:**

- injection valve, PP - 1 pc
- injection tube, PE - 2 m
- suction tube, PVC cristal - 2 m
- bleed tube, PVC cristal - 1,5 m
- foot filter, PP - 1 pc

**ACCESSORIES OPTIDOS Rx**

**Rabat Group**

	300518 <b>Buffer for calibration Rx</b>	A
	300513 <b>Measuring electrode Rx 1 - cable 1 m</b>	A
	300514 <b>Measuring electrode Rx 10 - cable 10 m - cable 1 m</b>	A
	300519 <b>Measuring cell</b> holder suitable for 1 probe	A
	300520 <b>PVC electrode holder for immersion</b> available in different lengths	A
	300521 <b>PP electrode holder for pipeline</b>	A
	300523 <b>Level probe - 2 m cable</b>	A

## MaR Infinity OPTIDOS ME-1 pH ECO

- Solenoid proportional digital pump with a built-in pH controller EXAMPLE
- Adjustable Setpoint between 6.0pH e 8.0pH
- Realtime display visualisation of the pH
- Probe efficiency indication
- Standard dosing mode (pH-)
- Definition of the proportionality greatness range
- Automatic calibration of just one pH point (pH7) using only one button!
- Easy installation and minimal maintenance
- 2 x 7 Segments digital display, Stand-by button and 1 alarm led
- Pump head with manual bleed for pressure priming
- PP CASE and HEAD reinforced 30% talk
- IP 65 protection
- Security and reliability
- Polycarbonate front panel
- Wall mounting with stirrup
- 2,5 mt power supply cable
- Accessories Kit with ball injection valve, hastelloy spring



Rabat Group

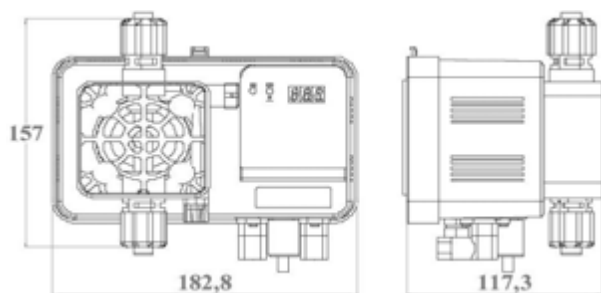
300505

MaR INFINITY OPTIDOS ME 1 - pH ECO

A

CODE	TYPE	l/h	ml/pulse	bar	max. pulse/min	STROKE	WATT	TUBE	PACKAGE	WEIGHT
300505	ME 1 - pH ECO	5	0,64	2	130	1,1	50	4x6 mm	15x23x28 cm	3,5 kg

Other Flow Rates on request !



### LIQUID ENDS:

	Standard	Optional
■ Pump head:	PP	PVC/PTFE
■ Diaphragm:	PTFE	
■ Valve Balls:	Pyrex	AISI316/Cer.
■ Injection fittings:	PP	
■ O-rings:	Viton	Dutral
■ LIP valve:	Viton	
■ Ball valve:	Hastell. / Pyrox	AISI316

### STANDARD ACCESSORY KIT:

- injection valve, PP - 1 pc
- injection tube, PE - 2 m
- suction tube, PVC cristal - 2 m
- bleed tube, PVC cristal - 1,5 m
- foot filter, PP - 1 pc

## Accessories Optidos pH

300520

PVC electrode holder for immersion  
available in different lengths

A



300511

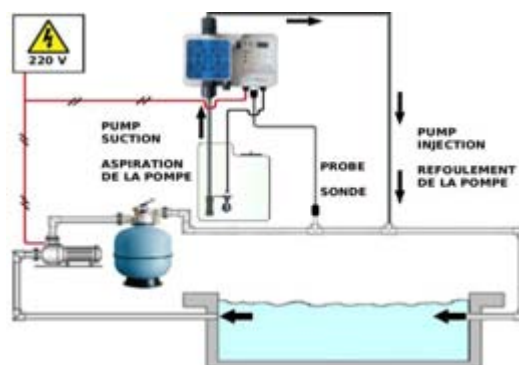
Measuring electrode pH 1 - cable 1 m

A

300512

Measuring electrode pH 10 - cable 10 m

A



◀ INSTALLATION EXAMPLE



### Infinity OPTIDOS ME1 - C

- Solenoid Constant Digital pump
- Easy installation and minimal maintenance
- Frequency regulation from 0 to 180 pulsations per minute
- ON / OFF function
- 3 x 7 Segments digital display, Stand-by button and 5 State leds
- Pump head with manual bleed for pressure priming
- PP CASE and HEAD reinforced 30% talk
- IP 65 protection
- Security and reliability
- Polycarbonate front panel
- Wall mounting with stirrup
- 2,5 mt power supply cable
- Accessories Kit with ball injection valve, hastelloy spring

300509 **Infinity OPTIDOS ME1- C 02**

300510 **Infinity OPTIDOS ME1- C 07**



**Rabat Group**  
A

A

CODE	TYPE	l/h	ml/Pulse	bar	max. Pulse/min	STROKE	WATT	TUBE Ø	PACKAGE	WEIGHT
300509	ME1 - C 02	2	0,18	11	180	0,9	50	4x6 mm	15x23x28 cm	3,5 kg
300510	ME1 - C 07	7	0,65	5	180	1,1	50	4x6 mm	15x23x28 cm	3,5 kg

**Other Flow Rates on request !**

### Infinity OPTIDOS ME1 - I

- Solenoid digital pump, proportional to the external ( tension free ) impulses number received
- Easy installation and minimal maintenance
- Can also work as constant digital pump with pulsation adjustment 0-180
- Function of impulses division and multiply ( 1xN, 1/n )
- Function of multiplication with memory ( 1xN-M )
- 3 x 7 Segments digital display, Stand-by button and 5 State leds
- Pump head with manual bleed for pressure priming
- PP CASE and HEAD reinforced 30% talk
- IP 65 protection
- Security and reliability
- Polycarbonate front panel
- Wall mounting with stirrup
- 2,5 mt power supply cable
- Accessories Kit with ball injection valve, hastelloy spring

300562 **Infinity OPTIDOS ME1- I**



**Rabat Group**  
A

A

CODE	TYPE	l/h	ml/Pulse	bar	max. Pulse/min	STROKE	WATT	TUBE Ø	PACKAGE	WEIGHT
300562	ME1 - I	7	0,65	5	180	1,1	50	4x6 mm	15x23x28 cm	3,5 kg

**Other Flow Rates on request !**

### Infinity OPTIDOS ME1 - mA

- Solenoid digital pump proportional to an electric 0 - 20 / 4 - 20 mA signal
- Programmable electric input magnitude, direct and inverse combined with an "n" pump requested impulses.
- Easy installation and minimal maintenance
- Can also work as constant digital pump with pulsation adjustment 0-180
- 3 x 7 Segments digital display, Stand-by button and 5 State leds
- Pump head with manual bleed for pressure priming
- PP CASE and HEAD reinforced 30% talk
- IP 65 protection
- Security and reliability
- Polycarbonate front panel
- Wall mounting with stirrup
- 2,5 mt power supply cable
- Accessories Kit with ball injection valve, hastelloy spring

300563 **Infinity OPTIDOS ME1- mA**



**Rabat Group**  
A

A

CODE	TYPE	l/h	ml/Pulse	bar	max. Pulse/min	STROKE	WATT	TUBE Ø	PACKAGE	WEIGHT
300563	ME1 - mA	7	0,65	5	180	1,1	50	4x6 mm	15x23x28 cm	3,5 kg

**Other Flow Rates on request !**

### MaR INFINITY OPTIDOS ME 2 - pH

- Compact Solenoid proportional digital pump with a built-in pH controller
- Adjustable Setpoint between 6.0pH e 8.0pH
- Realtime display visualisation of the pH
- Probe efficiency indication
- Standard dosing mode (pH-)
- Definition of the proportionality greatness range
- Automatic calibration of just one pH point (pH7) using only one button!
- Easy installation and minimal maintenance
- 2 x 7 Segments digital display and one alarm led
- Pump head with manual bleed for pressure priming
- PP CASE and HEAD reinforced 30% talk
- IP 65 protection
- Security and reliability
- Polycarbonate front panel
- Wall mounting with stirrup
- 2,5 mt power supply cable



**Rabat Group**

300551 **MaR INFINITY OPTIDOS ME 2 - pH**

A

CODE	TYPE	l/h	ml/pulse	bar	max. pulse/min	STROKE	WATT	TUBE	PACKAGE	WEIGHT
300551	ME 2 - pH	5	0,64	2	120	1,3	50	4x6 mm	15,5x18x22 cm	3,0 kg

#### Other Flow Rates on request !



#### LIQUID ENDS:

- Pump head: PP
- Diaphragm: PTFE
- Valve Balls: Pyrex
- Injection fittings: PP
- O-rings: Viton
- LIP valve: Viton
- Ball valve: Hastelloy/ Pyrox

#### Standard

#### Optional

- PVC/PTFE
- AISI316/Ceram.
- Dutral
- AISI316

#### STANDARD ACCESSORY KIT:

- injection valve, PP - 1 pc
- injection tube, PE - 2 m
- suction tube, PVC cristal - 2 m
- bleed tube, PVC cristal - 1,5 m
- foot filter, PP - 1 pc

### Accessories Optidos pH

**Rabat Group**

	300515	<b>Buffer for calibration pH 4</b>	A
	300516	<b>Buffer for calibration pH 7</b>	A
	300517	<b>Buffer for calibration pH 9</b>	A
	300511	<b>Measuring electrode pH 1 - cable 1 m</b>	A
	300512	<b>Measuring electrode pH 10 - cable 10 m</b>	A
	300519	<b>Measuring cell</b> holder suitable for 1 probe	A
	300520	<b>PVC electrode holder for immersion</b> available in different lengths	A
	300521	<b>PP electrode holder for pipeline</b>	A

**MaR INFINITY OPTIDOS ME2-Rx**

**MECHANICAL CHARACTERISTICS**

- PP Box 30% glass fiber reinforced
- IP 65 protection
- Polycarbonate front panel
- Wall mounted with bracket

**CONTROL PANEL DESCRIPTION**

- Display 2 digits
- 2 Buttons for setpoint e calibration
- 1 red led for level allarm

**FUNCTIONING**

- Electromagnetic proportional pump with a built-in Redox instrument
- Adjustable Setpoint between 300mV and 800mV.
- Automatic calibration of just one Redox point (468mV)
- Automatic test for probe health
- Level alarm and overdosing protection integrated in the software
- Prearranged for ACID dosing



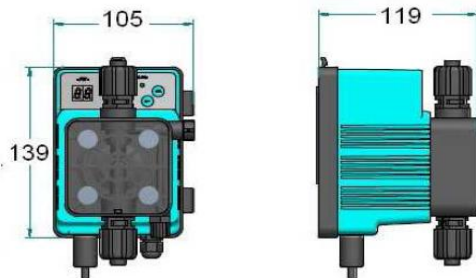
**Rabat Group**

300550 **MaR INFINITY OPTIDOS ME2-Rx**

A

CODE	TYPE	l/h	ml/pulse	bar	max. pulse/min	STROKE	WATT	TUBE	PACKAGE	WEIGHT
300550	OPTIDOS ME 2-Rx	7	0,97	2	120	-	50	4x6 mm	13,9x10,5x11,9 cm	2,8 kg

*Other Flow Rates on request !*



**LIQUID ENDS:**

	Standard	Optional
■ Pump head:	PP	PVC/PTFE
■ Diaphragm:	PTFE	
■ Valve Balls:	Pyrex	AlSi316/Cer.
■ Injection fittings:	PP	
■ O-rings:	Viton	Dutral
■ LIP valve:	Viton	
■ Ball valve:	Hastell. / Pyrox	AlSi316

**STANDARD ACCESSORY KIT:**

- injection valve, PP - 1 pc
- injection tube, PE - 2 m
- suction tube, PVC cristal - 2 m
- bleed tube, PVC cristal - 1,5 m
- foot filter, PP - 1 pc

**ACCESSORIES OPTIDOS Rx**

**Rabat Group**



300513 **Measuring electrode Rx 1 - cable 1 m**

A

300514 **Measuring electrode Rx 10 - cable 10 m - cable 1 m**

A



300518 **Buffer for calibration 475 mV**

A



300519 **Measuring cell**  
holder suitable for 1 probe

A



300520 **PVC electrode holder for immersion**  
available in different lengths

A



300521 **PP electrode holder for pipeline**

A

### Infinity OPTIDOS ME 2 - CA

- Solenoid Constant Analogic pump
- Easy installation and minimal maintenance
- Frequency double manual adjustment scale: from 0-100%; 0-20%
- ON / OFF function
- State led
- Pump head with manual bleed for pressure priming
- PP CASE and HEAD reinforced 30% talk
- IP 54 protection
- Security and reliability
- Polycarbonate front panel
- Wall mounting with stirrup
- 2,5 mt power supply cable
- Accessories Kit:

Pyrex Ball version: Pyrex Ball injection valve, hastelloy spring  
Lip Version : Viton Lip valve, Viton fittings



Rabat Group

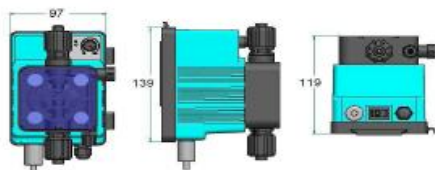
300548 **Infinity OPTIDOS ME2 - CA 02**

A

300549 **Infinity OPTIDOS ME2 - CA 05**

A

CODE	TYPE	l/h	ml/Pulse	bar	max. Pulse/min	STROKE	WATT	TUBE Ø	PACKAGE	WEIGHT
300548	ME2 - CA 02	1,5	0,21	12	120	1,1	50	4x6 mm	15,5x18x22 cm	3,0 kg
300549	ME2 - CA 05	5,0	0,69	5	120	1,3	50	4x6 mm	15,5x18x22 cm	3,0 kg



*Other Flow Rates on request !*

#### STANDARD ACCESSORY KIT:

- injection valve, PP - 1 pcs
- injection tube, PE - 2 m
- suction tube, PVC - 2 m
- bleed tube, PVC - 1,5 m
- foot filter, PP - 1 pcs



### Infinity OPTIDOS ME1 - CA

- Solenoid Constant Analogic pump
- Easy installation and minimal maintenance
- Frequency regulated manually from 0 to 100%
- ON / OFF function
- Stand-by button
- State led [ ON - Working - Stand By ]
- Pump head with manual bleed for pressure priming
- PP CASE and HEAD reinforced 30% talk
- IP 54 protection
- Security and reliability
- Polycarbonate front panel
- Wall mounting with stirrup
- 2,5 mt power supply cable
- Accessories Kit with ball injection valve, hastelloy spring



Rabat Group

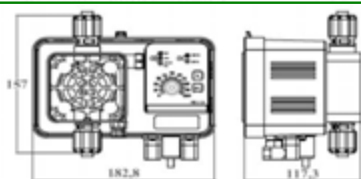
300506 **Infinity OPTIDOS ME1- CA 02**

A

300500 **Infinity OPTIDOS ME1- CA 06**

A

CODE	TYPE	l/h	ml/Pulse	bar	max. Pulse/min	STROKE	WATT	TUBE Ø	PACKAGE	WEIGHT
300506	ME1 - CA 02	2	0,21	12	160	0,9	50	4x6 mm	15x23x28 cm	3,5 kg
300500	ME1 - CA 06	6	0,62	8	160	1,1	50	4x6 mm	15x23x28 cm	3,5 kg



*Other Flow Rates on request !*

#### STANDARD ACCESSORY KIT:

- injection valve, PP - 1 pcs
- injection tube, PE - 2 m
- suction tube, PVC - 2 m
- bleed tube, PVC - 1,5 m
- foot filter, PP - 1 pcs





## ACCESSORIES FOR DOSING

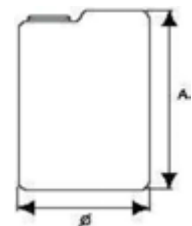
### DOSING TANKS INFINITY

- Tanks are made from polyethylene
- Closing lid
- Possibilities to built in telescopic draft tube and stirrer



		Rabat Group
300524	<b>Tank PE 60 I</b>	A
300525	<b>Tank PE 120 I</b>	A
300526	<b>Tank PE 220 I</b>	A
300527	<b>Tank PE 325 I</b>	A
300528	<b>Tank PE 550 I</b>	A
300529	<b>Tank PE 1070 I</b>	A

CODE	TYPE	liter	A	Ø
300524	TANK PE 60 I	60	525 mm	400 mm
300525	TANK PE 120 I	120	680 mm	500 mm
300526	TANK PE 220 I	220	800 mm	620 mm
300527	TANK PE 325 I	325	890 mm	710 mm
300528	TANK PE 550 I	550	1000 mm	885 mm
300529	TANK PE 1070 I	1070	1200 mm	1100 mm



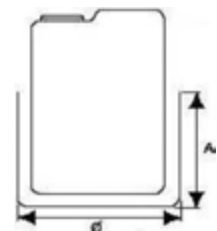
### BASINS FOR TANKS

- Basins are made from polyethylene
- For tanks of various capacities



		Rabat Group
300530	<b>Basin 100 I</b>	A
300531	<b>Basin 200 I</b>	A
300532	<b>Basin 300 I</b>	A
300533	<b>Basin 400 I</b>	A
300534	<b>Basin 500 I</b>	A

CODE	TYPE	liter	A	Ø
300530	BASIN PE 100 I	100	450 mm	600 mm
300531	BASIN PE 200 I	200	600 mm	700 mm
300532	BASIN PE 300 I	300	660 mm	800 mm
300533	BASIN PE 500 I	500	1000 mm	950 mm
300534	BASIN PE 1000 I	1000	980 mm	1220 mm



### MANUAL MIXERS



		Rabat Group
300547	<b>Manual mixers</b> PVC - 60 cm <i>Other lenght on request !</i>	A

### AUTOMATIC MIXERS



		Rabat Group
<b>Automatic mixers - 70 ot./ 1 min. - 400 V</b>		
300540	<b>Automatic mixers</b> PVC - 60 cm	A
300541	<b>Automatic mixers</b> PVC - 70 cm	A
300542	<b>Automatic mixers</b> PVC - 80 cm	A
300546	<b>Automatic mixers</b> PVC - 90 cm	A
<b>Automatic mixers - 1400 ot./ 1 min. - 400 V</b>		
300544	<b>Automatic mixers</b> PVC - 60 cm	A
300545	<b>Automatic mixers</b> PVC - 70 cm	A

*Other lenght on request !*

## ACCESORIES FOR DOSING STATIONS

### Telescopic draft tube for canister



- 300535 **Telescopic draft tube 100 l OPTIDOS**
- 300536 **Telescopic draft tube 200 l OPTIDOS**
- 300537 **Telescopic draft tube 300 l OPTIDOS**
- 300538 **Telescopic draft tube 500 l OPTIDOS**

**Rabat Group**

A

A

A

A

### Measuring instrument

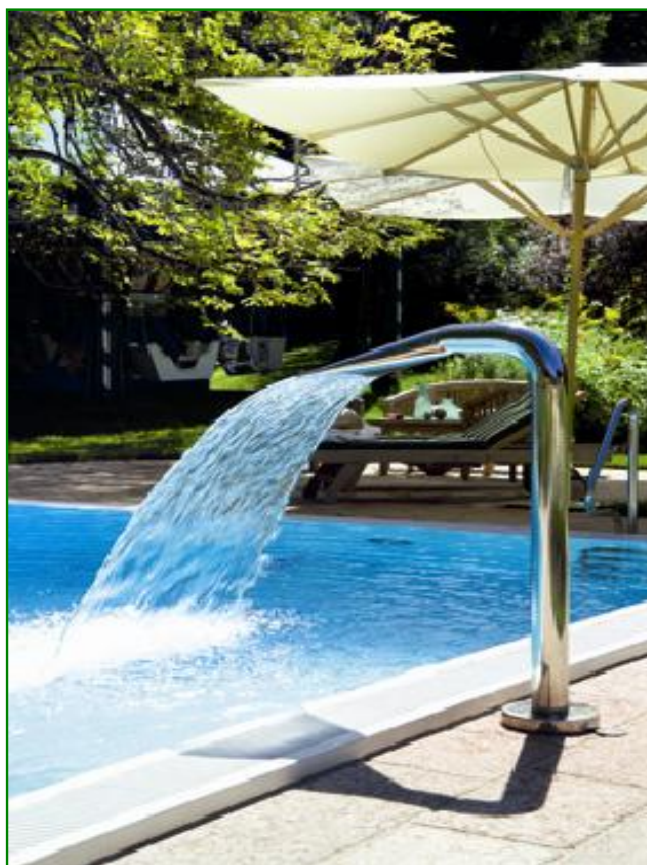


- 300539 **Photometer Optidos SP 164**  
Portable photometer designed for residential use. Chlorine, pH, and Cyanuric Acid are important parameters that can be controlled by the pool tester. Supplied complete with battery, 4 tablets for each test, 2 cuvette, boxed and packed,

**Rabat Group**

A

Measuring range: pH 6,8 - 8,4  
Cl 0,1 - 5 mg/l  
acid. 0 - 200 mg/l

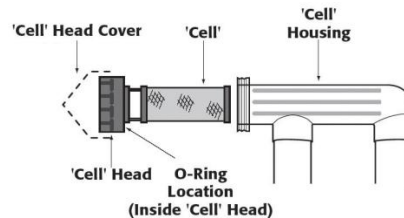


## SALT TREATMENT - SWIMMING POOL WATER

### ECOMATIC series

Our Natural, Water Sanitizing Process: As the mild salt water passes through the in-line Eco matic cell, electrolysis converts a portion of the dissolved salt into a pure, effective sanitizer. This is essentially the same effective sanitizer as would result if chlorine was added to the water - but without the potentially dangerous chlorine additives and the obnoxious "chemical" effects commonly associated with manual chlorination - and without the need to handle packaged chlorine. This sanitizer will effectively keep you pool water safe, healthy and crystal clear, by oxidizing (killing) any unwanted bacteria, virus and algae which may be present in the water.

- Environmentally friendly pool water sanitizing system – uses only natural salt
- Efficient & economical system – low power consumption
- Produces sparkling clear, safe pool water – no odors or irritation to eyes and skin
- Low maintenance, convenient, automated unit
- User-friendly controls – simple to set and operate
- Easy to read indicators
- No handling or storing of chlorine
- Voltage: 240 V



Suitable for Pools up to \*

**Rabat Group**

310100 **ECOMATIC ESC 16**  
989811 **ECOMATIC ESC 24**

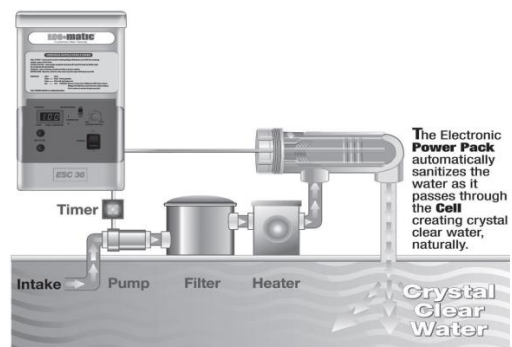
58 m<sup>3</sup>/h  
95 m<sup>3</sup>/h

A  
A

\* Pool sizing estimates are based on an 8 hour filtration cycle. Pools in hot climates may require a larger unit.

#### Scope of delivery:

- Electronic control system
- Digital display and LED indicators
- IP34 protection
- High flow rate cell
- High grade U.V. stabilized rust and weather proof cabinet
- Low salt and overload indicators
- Winter switch for cold water operation
- Water flow detector with automatic switch off
- Operates on 230 volts only



**Rabat Group**

804027 **ECOMATIC BMSC 13**

- Electronic control system
- IP34 protection
- High flow rate cell
- High grade U.V. stabilized rust and weather proof cabinet
- Low salt and overload indicators



A

## UV DESINFECTION - SWIMMING POOL WATER

### EASY UV series

More and more swimming pool owners want crystal-clear bathing water without the chemicals. This is now possible with Easy-UV. It is remarkably effective, environmentally friendly and reliable. UV desinfection is the future of water sterilisation in modern pools.

Operating Principle: UV-C lamps emit shortwave ultraviolet radiation in a wavelength of 253,7 nm.

#### Benefits At a Glance

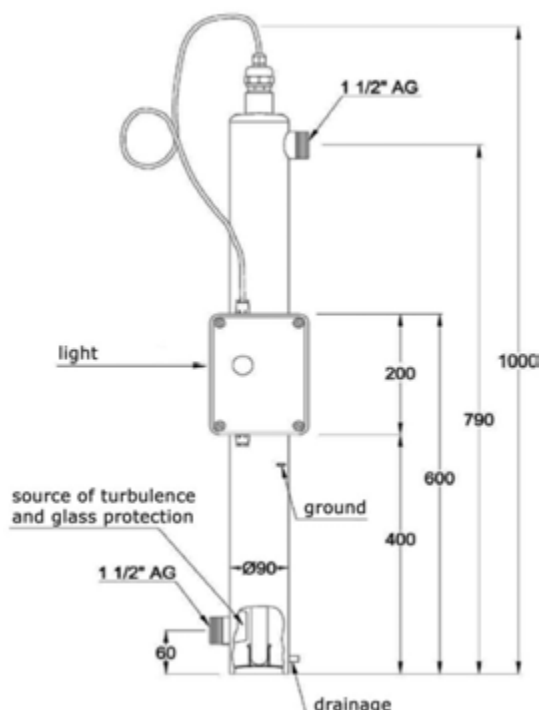
- Bacteria, viruses, floating algae, fungi, parasites and other microorganisms are killed
- UV-C light initiates photo-oxidation reactions that destroy chloramines, which are responsible for the unpleasant odour in swimming pools and irritation of the mucous membranes in the nose, eyes, skin and throat. The water remains fresh, clean, clear and retains its natural taste. Healthy minerals are not lost.
- Only minor chemical treatment of the pool is necessary. The risk of disease is thus reduced. You save money and the aging of building materials in and around the swimming pool slows noticeably.
- UV-C desinfection is compatible with all other forms of water treatment.



		Connection	Rabat Group
311021	<b>EASY UV 4-8</b>	1 1/2"	A
311022	<b>EASY UV 5-15</b>	2"	A
<b>Replacemant UV tubes</b>			
311023	<b>UV tube 75 W</b>		A

#### Technical specifications

CODE / KÓD	311021	311022
TYPE / TYP	EASY UV 4-8	EASY UV 5-15
FLOW RATE / PRŮTOK	4-8 m <sup>3</sup>	5-15 m <sup>3</sup>
WATER CONTENT / OBJEM VODY	4,5 l	9,4 l
LAMP / LAMPA	1	1
POWER CONSUMPTION / PŘÍKON	75 W	75 W
VOLTAGE / NAPĚTÍ	230 V	230 V
FREQUENCY / FŘEKVENCE	50 Hz	50 Hz
PROTECTION CLASS / KRYTÍ	IP 54	IP 54
DWELL TIME / PRODLEVA	4-2 sec.	6,7-2,25 sec.
POOL CONTENT / OBJEM BAZĚNU	1-40 m <sup>3</sup>	20-75 m <sup>3</sup>
OPERAT. PRESSURE / PROVOZ. TLAK	max. 2,5 bar	max. 2,5 bar
SERV. LIFE OF LAMP / ŽIVOT. LAMPY	8000 hours	8000 hours
MATERIAL REACTOR / MAT. REAKT.	V4A	V4A
TEMPERAT. RANGE / TEP. ROZSAH	10-40°C	10-40°C





## UV DESINFECTION series

### Funktion description:

With UV-desinfection buil-in to the sistem we can substantial reduce chlorine dosage or limited it on occasional chlorine shock swimming pool desinfection is in progress by means of ultraviolet radiation which is mortal for the most of organisms. Ultraviolet radiation annihilates bacterias, algaes, virus, moulds and parasites which are contained in swimming pool water.

### Scope of delivery:

Complete apparatus: plastic body with connection PVC d 50, UV tube, control unit.

### Technical specifications:

Connection of stainless steel body	d50
Material casing	
Max. operation pressure	2,5 bar
UV tube lifetime	8000-9000 hours

### DIFFERENT CASE AND ELECTRIC CONNECTION !!!!



			Rabat Group
311017	<b>UV desinfection 40 W FP</b> for swimming pool till 35 m3 Max. flow 15 m3/h		A
311018	<b>UV dezinfekce 75 W FP</b> for swimming pool till 70 m3 Max. flow 20 m3/h		A
<b>Replacemant UV tubes</b>			
311019	<b>UV tube 40 W for FP</b>		A
311020	<b>UV tube 75 W for FP</b>		A
<b>Replacemant transformers</b>			
311012	<b>Transformator 40 W</b>	with connection	A
311013	<b>Transformator 75 W</b>	with connection	A

## OZONE for SPAS and private swimming pools

Ozone ( $O_3$ ) is a gas derived from the recombination of oxygen in the air ( $O_2$ )

The third atom of oxygen (O) gives ozone a very high oxidizing power leading to action on:

- organisms and micro-organisms (viruses, bacteria, etc.)
- mineral chemicals (metals, etc.) and organic products (chloramines, bromamines).

For pool treatment, the ozone is used in such a way as to reduce the conventional chemical treatment needed and provide the user with better quality water and improved conditions of comfort.

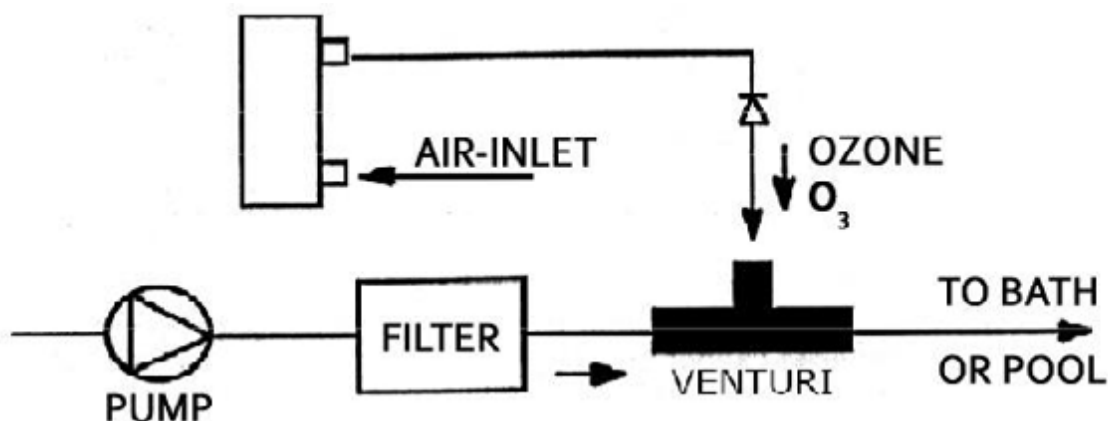
### Theory of operation

A flow of ambient air (containing oxygen) is drawn in via a Venturi installed on the water pipe intended for treatment. The air first passes through the PERMOOZONE chamber. The transformation reaction of part of the oxygen into ozone ( $O_2 \rightarrow O_3$ ) occurs under the effect of the UV lamp emitting at a wavelength of 185 nm.

The gas leaving the chamber (air + ozone) is then mixed with the water to be treated at the Venturi.

Ozonizers generate enough ozone for most applications as long as the excessive variations that can occur during use do not appear and that the added chemicals such as remanent disinfectant are properly checked, that the pH is adjusted and that the number of users is controlled.

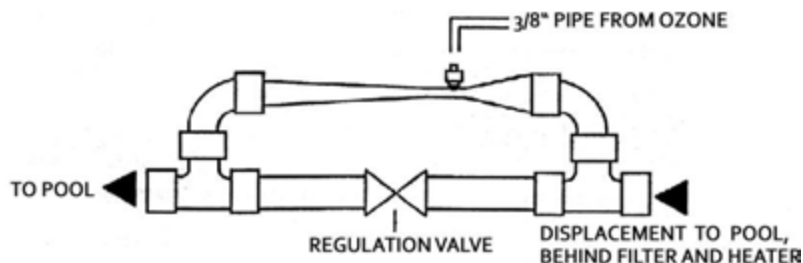
It is important to bear in mind that ozone has no effect on the pH of the water which must be kept under inspection and adjusted accordingly.



## OZONE FOR PRIVATE POOLS

		Rabat Group
316218	<b>Ozone S 80 Z</b>	A
316230	<b>Systeme Venturi Complet</b>	A
316250	<b>Basics Pool Lamp (S8R0ZA)</b>	A

### Venturi bypass ►



FILTERS FOR COMMERCIAL POOLS



FILTERS FOR PRIVATE POOLS



FILTRATION UNITS

PUMPS



WALL FITTINGS



MEASURING & CONTROL UNITS, DOSING PUMPS

HEATING FOR SWIMMING POOL WATER



SWIMMING POOL ATTRACTION

ACCESSORIES FOR SWIMMING POOLS

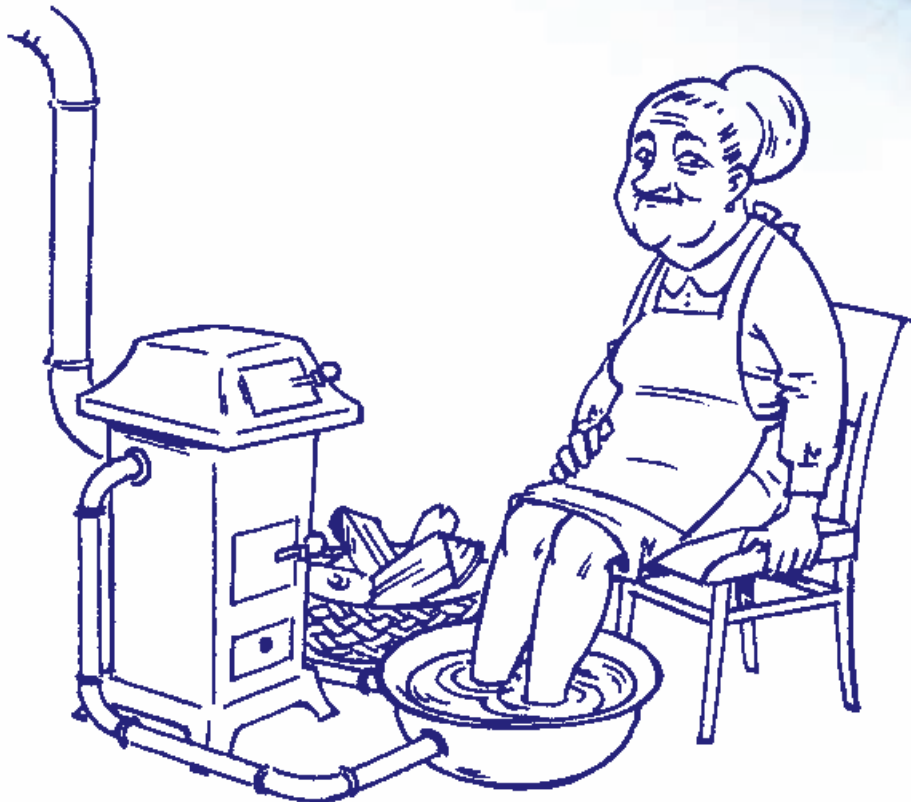


SWIMMING POOL COVERS

PVC FITTINGS AND PIPES



# *HEATING FOR SWIMMING POOL WATER*





**ELECTRIC HEATER**

**Series D-EWT - STAINLESS STEEL**

Polished surface, with a combined connection R 1 1/2" (internal) x NW 50 (external), heating element , made of Incoloy 825, flow sensor, plastic grips installed as a standard

- Material: AISI 316 V4 A stainless steel - polished
- Resistor: Incoloy 825
- Flow switch min. 3000 l/h or pressure switch min. 4000 l/h
- Temperature-setting thermostat: 0-40°C
- Safety thermostat cutting-off: at 55°C
- Operating pressure: max. 3 bar

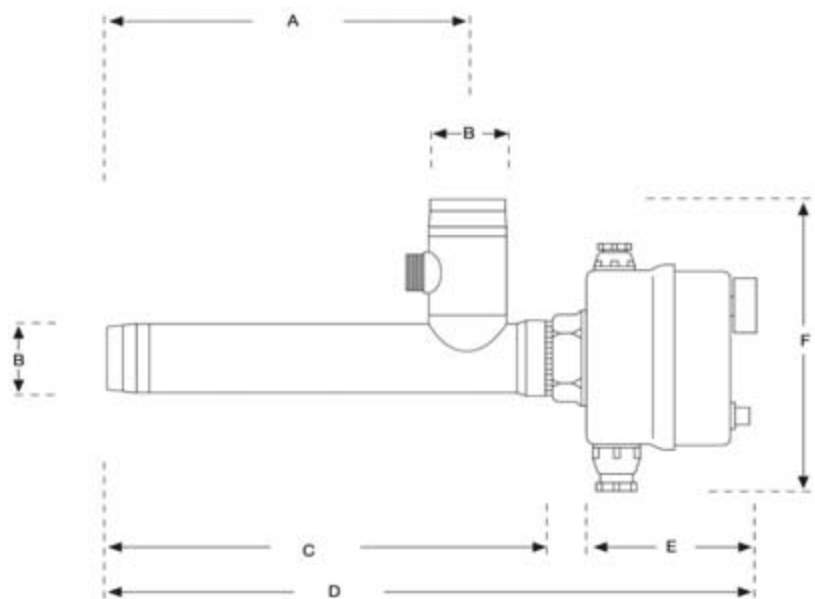
**Rabat Group**



400001	<b>D-EWT 1,5</b>	Capacity: 1,5 kW	Volt: 230	B
400002	<b>D-EWT 3</b>	Capacity: 3 kW	Volt: 400	B
400003	<b>D-EWT 6</b>	Capacity: 6 kW	Volt: 400	B
400004	<b>D-EWT 9</b>	Capacity: 9 kW	Volt: 400	B
400005	<b>D-EWT 12</b>	Capacity: 12 kW	Volt: 400	B
400006	<b>D-EWT 15</b>	Capacity: 15 kW	Volt: 400	B
400007	<b>D-EWT 18</b>	Capacity: 18 kW	Volt: 400	B

Use only water with the following values:

- Chloride cont.: max. 500 mg/l
- Free chlorine: max. 1,3 mg/l
- pH: max. 6,8 - 8,2
- Salt: max. 500 ppm - mg/l
- Bromine: max. 4 mg/l



**D-EWT heaters dimensions**

CODE KÓD KODE	TYPE TYP TYP	CAPACITY VÝKON LEISTUNG	VOLTAGE NAPĚTÍ SPANNUNG	DIMENSIONS / ROZMĚRY / ABMESSUNGEN [mm]					
				A	B	C	D	E	F
400001	D-EWT 1,5	1,5 kW	230 V	236	1 1/2" x NW 50	290	430	110	205
400002	D-EWT 3	3 kW	400 V	236	1 1/2" x NW 50	290	430	110	205
400003	D-EWT 6	6 kW	400 V	306	1 1/2" x NW 50	360	500	110	205
400004	D-EWT 9	9 kW	400 V	306	1 1/2" x NW 50	360	500	110	210
400005	D-EWT 12	12 kW	400 V	396	1 1/2" x NW 50	450	595	110	210
400006	D-EWT 15	15 kW	400 V	496	1 1/2" x NW 50	550	695	110	220
400007	D-EWT 18	18 kW	400 V	596	1 1/2" x NW 50	650	795	110	220

### Series D-EWT T- TITANIUM

with a combined connection R 1½", external threaded, heating element made of Incoloy 825, thermostat 0 – 40°C, safety thermostat 51°C, flow sensor, plastic grips installed as a standard

- Material: electrically Silver-enamel finish titanium
- Resistor: Incoloy 825
- Flow switch min. 3000 l/h or pressure switch min. 4000 l/h
- Temperature-setting thermostat: 0-40°C
- Safety thermostat cutting-off: at 55°C
- Operating pressure: max. 3 bar

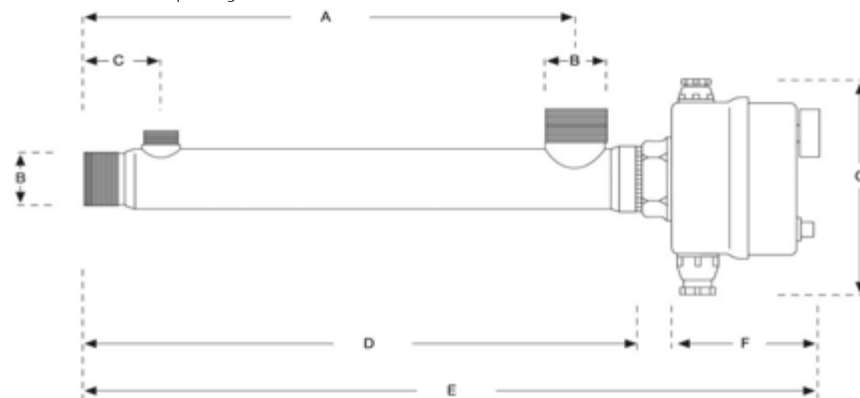
#### Rabat Group



400101	<b>D-EWT 1,5 T</b>	Capacity: 1,5 kW	Volt: 230	B
400102	<b>D-EWT 3 T</b>	Capacity: 3 kW	Volt: 400	B
400103	<b>D-EWT 6 T</b>	Capacity: 6 kW	Volt: 400	B
400104	<b>D-EWT 9 T</b>	Capacity: 9 kW	Volt: 400	B
400105	<b>D-EWT 12 T</b>	Capacity: 12 kW	Volt: 400	B
400106	<b>D-EWT 15 T</b>	Capacity: 15 kW	Volt: 400	B
400107	<b>D-EWT 18 T</b>	Capacity: 18 kW	Volt: 400	B

Use only water with the following values:

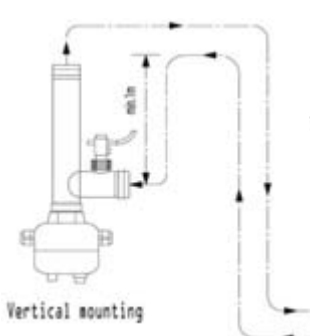
- Chloride cont.: max. 500 mg/l
- Free chlorine: max. 1,3 mg/l
- pH: max. 6,8 - 8,2
- Salt: max. 500 ppm - mg/l
- Bromine: max. 4 mg/l



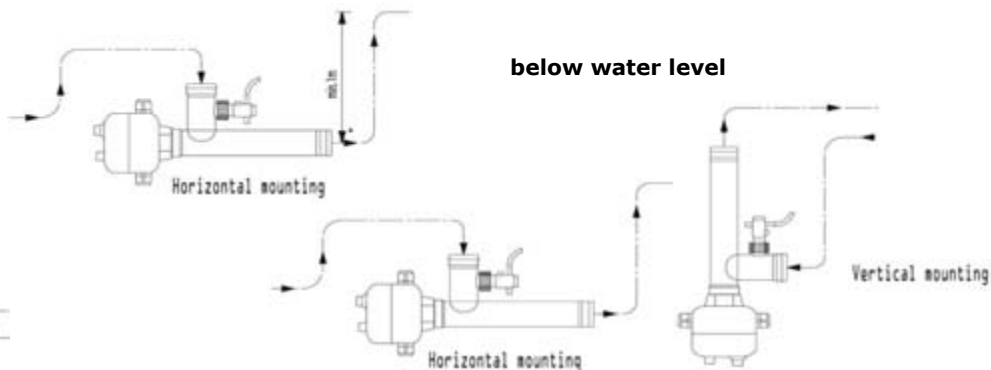
### D-EWT T heaters dimensions

CODE KÓD KODE	TYPE TYP TYP	CAPACITY VÝKON LEISTUNG	VOLTAGE NAPĚTÍ SPANNUNG	DIMENSIONS / ROZMĚRY / ABMESSUNGEN [mm]						
				A	B	C	D	E	F	G
400101	D-EWT 1,5 T	1,5 kW	230 V	293	1½" AG	50	345	477	110	175
400102	D-EWT 3 T	3 kW	400 V	293	1½" AG	50	345	477	110	175
400103	D-EWT 6 T	6 kW	400 V	363	1½" AG	50	415	547	110	175
400104	D-EWT 9 T	9 kW	400 V	363	1½" AG	50	415	547	110	180
400105	D-EWT 12 T	12 kW	400 V	453	1½" AG	50	505	637	110	180
400106	D-EWT 15 T	15 kW	400 V	553	1½" AG	50	605	737	110	185
400107	D-EWT 18 T	18 kW	400 V	653	1½" AG	50	705	837	110	185

above water level



below water level



## HEATING EXCHANGER

### Series D-HWT

Polished surface, with a combined connection R 1 1/2" x NW 50 or 2" x NW 60, stainless-steel outer casing, stainless-steel heating element, thermostat socket d 15 x 40 mm

- Material: AISI 316 V4 A stainless steel  
- mirror finishing
- Operating pressure heating: max. 10 bar
- Operating pressure pool water: max. 3 bar



			90-70°	60-40°	Rabat Group
400008	<b>D-HWT 35</b>	Capacity:	42 kW	24 kW	B
400009	<b>D-HWT 65</b>	Capacity:	76 kW	43 kW	B
400010	<b>D-HWT 93</b>	Capacity:	105 kW	60 kW	B
400011	<b>D-HWT 122</b>	Capacity:	146 kW	83 kW	B
400012	<b>D-HWT 182</b>	Capacity:	210 kW	120 kW	B

Technical specification - next page !

CODE KÓD KODE	TYPE TYP TYP	CAPACITY / VÝKON / LEISTUNG		PUMP CAPACITY HEATING / VÝKON ČERPADLA TOPENÍ	PUMP CAPACITY S. POOL WATER / VÝKON BAZÉN, ČERP.	LOSS HEATING / TLAK. ZTÁTA VTP OKRUHU	LOSS S. POOL WATER / TLAK. ZTRÁTA B. OKRUHU	DIMENSIONS / ROZMĚRY / ABMESSUNGEN					
		OPER. TEMPERATURE 90-70°C	HEATING 60-40°C					[mm]					
								A	B	C	D	E	F
400008	D-HWT 35	42 kW	24 kW	2 m³/h	10 m³/h	0,18 bar	0,10 bar	385	Ø125	205	NW/50	1½"	¾"
400009	D-HWT 65	76 kW	43 kW	3 m³/h	12 m³/h	0,22 bar	0,18 bar	680	Ø125	495	NW/50	1½"	1"
400010	D-HWT 93	105 kW	60 kW	5 m³/h	15 m³/h	0,40 bar	0,22 bar	780	Ø160	590	NW/60	2"	1"
400011	D-HWT 122	146 kW	83 kW	2x 3 m³/h	20 m³/h	0,25 bar	0,60 bar	1050	Ø160	370	NW/60	2"	1"
400012	D-HWT 182	210 kW	120 kW	2x 5 m³/h	25 m³/h	0,30 bar	1,00 bar	1370	Ø160	530	NW/60	2"	1"

### Series D-TWT

A combined connection R 1 1/2" x NW 50, titanium outer casing, titanium heating element, thermostat socket d 15 mm x 40 mm

- Material: Titan silver varnished
- Operating pressure heating: max. 10 bar
- Operating pressure pool water: max. 3 bar



			90-70°	60-40°	Rabat Group
400015	<b>D-TWT 35</b>	Capacity:	42 kW	24 kW	B
400016	<b>D-TWT 65</b>	Capacity:	76 kW	43 kW	B
400020	<b>D-TWT 93</b>	Capacity:	105 kW	60 kW	B

Technical specification - next page !

CODE KÓD KODE	TYPE TYP TYP	CAPACITY / VÝKON / LEISTUNG		PUMP CAPACITY HEATING / VÝKON ČERPADLA TOPENÍ	PUMP CAPACITY S. POOL WATER / VÝKON BAZÉN, ČERP.	LOSS HEATING / TLAK. ZTÁTA VTP OKRUHU	LOSS S. POOL WATER / TLAK. ZTRÁTA B. OKRUHU	DIMENSIONS / ROZMĚRY / ABMESSUNGEN					
		OPER. TEMPERATURE 90-70°C	HEATING 60-40°C					[mm]					
								A	B	C	D	E	F
400015	D-TWT 35	42 kW	24 kW	3 m³/h	12 m³/h	0,2 bar	0,10 bar	385	Ø125	205	1½" AG	-	¾"
400016	D-TWT 65	76 kW	43 kW	4 m³/h	15 m³/h	0,2 bar	0,22 bar	680	Ø125	495	1½" AG	-	1"
400020	D-TWT 93	105 kW	60 kW	6 m³/h	18 m³/h	0,4 bar	0,22 bar	780	Ø160	590	2" AG	-	1"

**LOW TEMPERATURE HEAT EXCHANGERS**

**Series D-NWT**

Polished surface, with a combined connection R 1 1/2" x NW 50, stainless steel outer casing, stainless steel heating element, thermostat socket d 15 x 40 mm

- Material: AISI 316 V4 A stainless steel - mirror finishing

- Operating pressure heating: max. 10 bar
- Operating pressure pool water: max. 3 bar



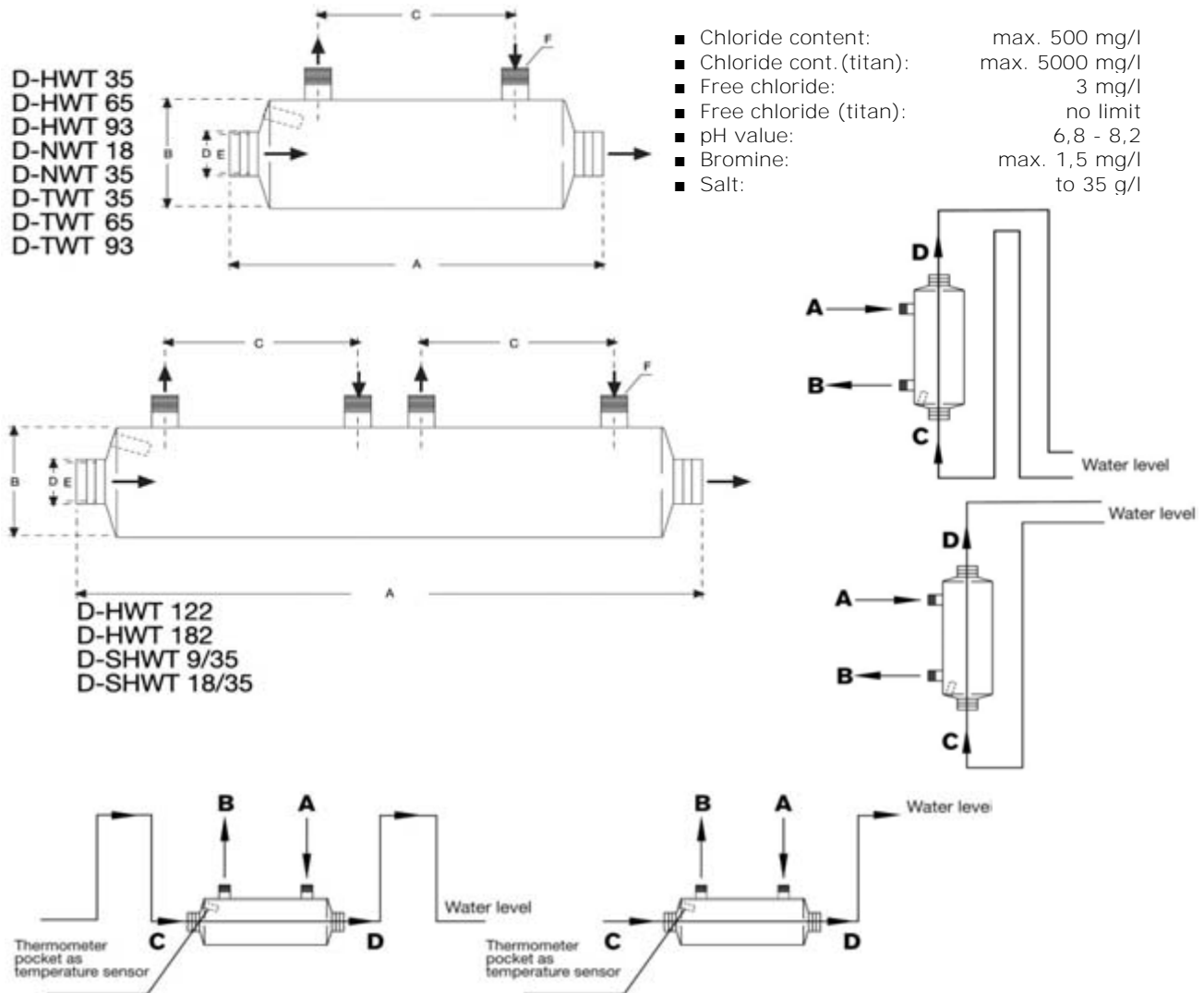
			50-40°	Rabat Group
400013	<b>D-NWT 18</b>	Capacity:	20 kW	B
400014	<b>D-NWT 35</b>	Capacity:	40 kW	B

CODE / KÓD / KODE	TYPE / TYP	CAPACITY / VÝKON / LEISTUNG OPER. TEMPERATURE HEATING 50-40°C	PUMP CAPACITY HEATING / VÝKON ČERPADLA TOPENÍ	PUMP CAPACITY S. POOL WATER / VÝKON BAZÉN, ČERP.	LOSS HEATING / TLAK. ZTÁTA VTP OKRUHU	LOSS S. POOL WATER / TLAK. ZTRÁTA B. OKRUHU	DIMENSIONS / ROZMĚRY / ABMESSUNGEN [mm]					
							A	B	C	D	E	F
400013	D-NWT 18	20 kW	2 m³/h	10 m³/h	0,1 bar	0,18 bar	680	Ø125	495	NW/50	1 1/2"	1"
400014	D-NWT 35	40 kW	3,6 m³/h	12 m³/h	0,35 bar	0,30 bar	1050	Ø160	820	NW/50	1 1/2"	1"

**Tech. specification - D-HWT, D-TWT, D-NWT**

Use only water with the following values:

- Chloride content: max. 500 mg/l
- Chloride cont.(titan): max. 5000 mg/l
- Free chloride: 3 mg/l
- Free chloride (titan): no limit
- pH value: 6,8 - 8,2
- Bromine: max. 1,5 mg/l
- Salt: to 35 g/l





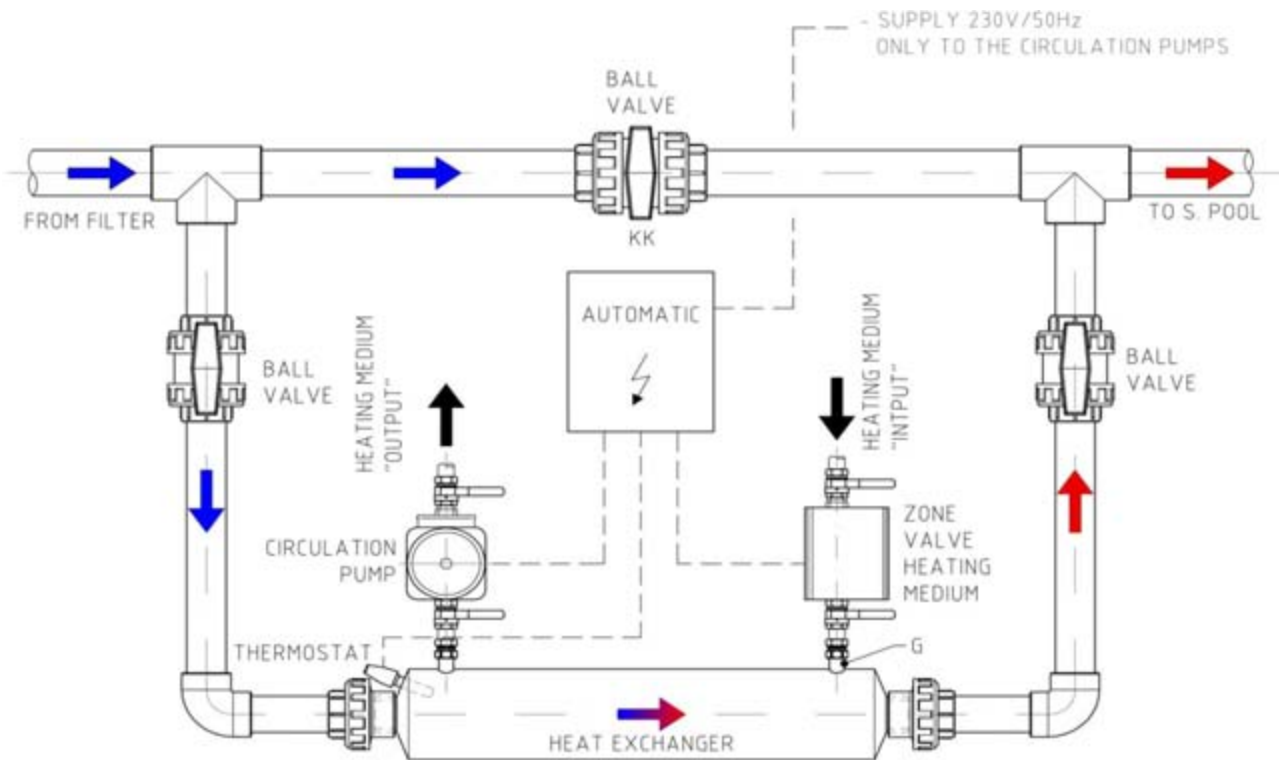
**STAINLESS-STEEL HEAT EXCHANGER FOR POOLS**

Polished surface, with a combined connection R 1 1/2" x NW 50 or 2" x NW 60, stainless-steel outer casing, stainless-steel heating element, heating circuit circulation pump, stop valve, thermostat, thermo control, all assembled on board 50 x 50 cm.

- Material: AISI 316 V4 A stainless steel  
- mirror finishing
- Operating pressure heating: max. 10 bar
- Operating pressure pool water: max. 3 bar



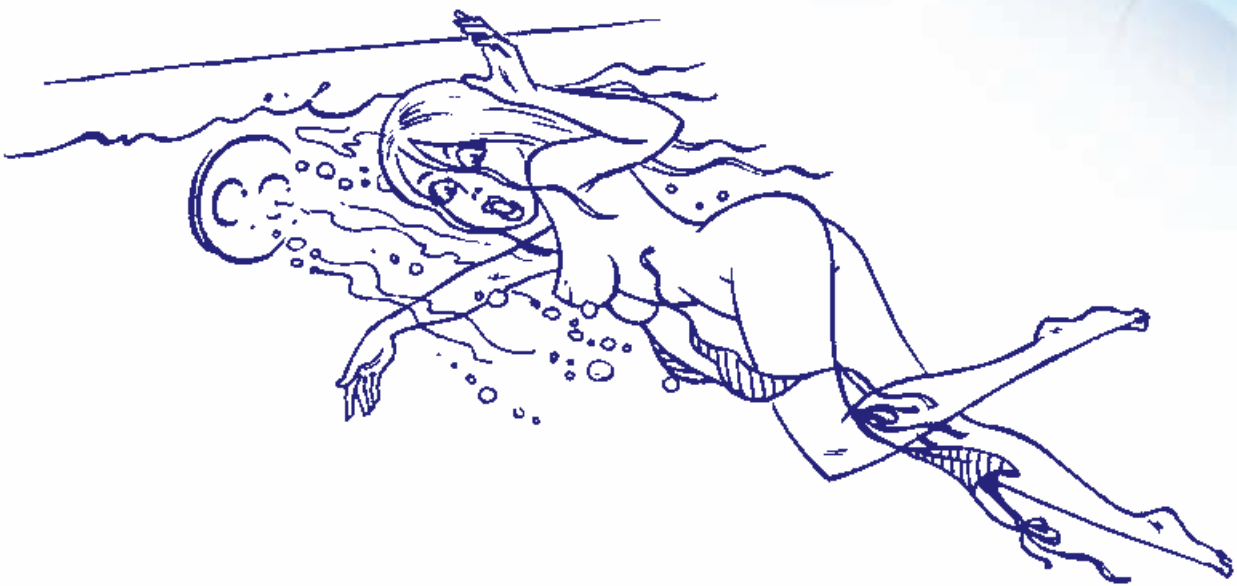
			90-70°	60-40°	Rabat Group
400018	<b>D-HWT 35 A</b>	Capacity:	42 kW	24 kW	B
400019	<b>D-HWT 65 A</b>	Capacity:	76 kW	43 kW	B



**ACCESSORIES TO HEAT EXCHANGER**

		Rabat Group
86445	<b>Thermostat to heat exchanger with sensor to socket 1/2"</b>	A
303457	<b>Stop valve Bürkert, 3/4"</b>	A
4768	<b>Control panel ON/OFF with signalling</b>	A
25-40	<b>Priming pump Grundfos</b>	A

# *SWIMMING POOL ATTRACTION*



**COUNTER CURRENT - PLASTICS**

**JET VAG series**

New high flow nozzle with d42 mm instead of 35 mm, allowing greater flow. Exceptional swimming effect and performance. Patented **air and water flow rate management system** on the central nozzle.

- Transform your swimming pool into an olympic pool.
- Improve your swimming by battling against the rushing JETVAG current.
- Enjoy water which is invigorating an oxygenated.
- JET VAG can be fitted in any type of swimming pool. When construction starts do not forget to make allowance for it in the structure. Afterwards will be too late !



▼ sealing part Ø63



▼ sealing part Ø90



▼ sealing part new



		Pipe size [mm]	Flow [m³/h]	Rabat Group
800020	<b>JET VAG 2 HP MONO</b>	Ø63	60	A
800021	<b>JET VAG 3 HP MONO</b>	Ø63	70	A
800022	<b>JET VAG 4 HP TRI</b>	Ø63	80	A
800023	<b>JET VAG 3 HP MONO</b>	Ø90	70	A
800024	<b>JET VAG 4 HP TRI</b>	Ø90	80	A

**The kit comprises two packages, sold together or separately:**

- Ø63 or Ø90 sealing part with valves
- Additional d63 or d90 sealing part with pump (2,3 or 4 HP, mono or TRI), front plate, electric box, unions and pneumatic control
- Remote control

507721	<b>Sealing part Ø63</b>			A
507722	<b>Sealing part Ø90</b>			A
800010	<b>Sealing part Ø63 - NEW</b>			A
800011	<b>Sealing part Ø90 - NEW</b>			A

		Pipe size [mm]	Flow [m³/h]	Rabat Group
800040	<b>Addition to JET VAG 2 HP</b>	Ø63	60	A
800041	<b>Addition to JET VAG 3 HP</b>	Ø63	70	A
800042	<b>Addition to JET VAG 4 HP</b>	Ø63	80	A



### LUM JET VAG series

More than an NCC: integration of a remotely-controlled new-design multicolour LED lighting system in the front plate (remote control supplied). Also comes with the new high-flow d42 mm nozzle. Patented system.

- 2 for 1: NCC + lighting with the possibility of adding an optional water jet and/or a massage kit. Optimise your investment/purchase with maximum use.

#### This products can be either:

- A counter-current swimming system
- A multi-colour LED lighting with remote control
- A water jet (option)
- A massage kit (option)



		Pipe size [mm]	Flow [m³/h]	Rabat Group
800050	<b>LUM JET VAG 2 HP MONO</b>	Ø63	60	A
800051	<b>LUM JET VAG 3 HP MONO</b>	Ø63	70	A
800052	<b>LUM JET VAG 4 HP TRI</b>	Ø63	80	A
800053	<b>LUM JET VAG 3 HP MONO</b>	Ø90	70	A
800054	<b>LUM JET VAG 4 HP TRI</b>	Ø90	80	A

#### The kit comprises two packages, sold together or separately:

- Ø63 or Ø90 sealing part with valves
- Additional d63 or d90 sealing part with pump (2,3 or 4 HP, mono or TRI), front plate, electric box, unions and pneumatic control
- Remote control

507721	<b>Sealing part Ø63</b>			A
507722	<b>Sealing part Ø90</b>			A
800010	<b>Sealing part Ø63 - NEW</b>			A
800011	<b>Sealing part Ø90 - NEW</b>			A

		Pipe size [mm]	Flow [m³/h]	Rabat Group
800070	<b>Add. to LUM JET VAG 2 HP</b>	Ø63	60	A
800071	<b>Add. to LUM JET VAG 3 HP</b>	Ø63	70	A
800072	<b>Add. to LUM JET VAG 4 HP</b>	Ø63	80	A

#### JET VAG FRONT PLATE REPLACEMENT KIT USING LUM JET VAG LUM VAG replacement kit

800080				A
--------	--	--	--	---

#### Composition of kits:

- LUM JET VAG front plate
- d42 mm nozzle
- specific control console
- remote control
- user manual
- simple and rapid installation





**ACCESSORIES FOR JET VAG, LUM JET VAG**



50779	<b>Single BS nozzle</b>
6438	<b>Push button</b>
1509984	<b>Electric box Mono 6/10 A</b>
1509983	<b>Electric box Mono 10/16 A</b>
1509982	<b>Electric box TRI 6/10 A</b>

**Rabat Group**

A  
A  
A  
A  
A

**JETSTREAM - IN BUILT PARTS**

- Without pump



7300211	<b>JETSTREAM in built parts</b> ■ Front plate, niche, PVC set
7300212	<b>JETSTREAM in built parts</b> ■ Front plate, niche

**Rabat Group**

A  
A

**JETSTREAM series**

- The JETSTREAM swim jet equipment, easy to install in your pool.
- Allows you to swim in front of it without moving.
- Its nozzle system provides easier water and air regulation from inside the pool.
- Also, it can be oriented in the direction you choose, giving you a relaxing bubble bath.
- In its design and construction maximum safety measures have been held in mind, using materials that can not corrode.



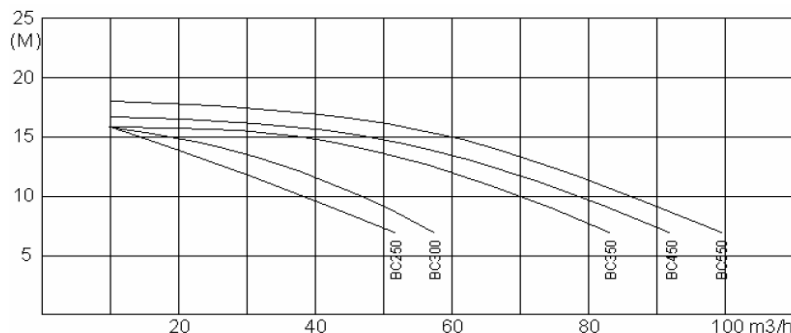
**For concrete pool**

		Power	Phase	Voltage	Flow [m <sup>3</sup> /h]	<b>Rabat Group</b>
730010	<b>JETSTREAM 2,5</b>	2,30 kW	MONO	230V/50Hz	40	A
730011	<b>JETSTREAM 2,5</b>	2,30 kW	TRI	380V/50Hz	40	A
730012	<b>JETSTREAM 3,0</b>	2,76 kW	TRI	380V/50Hz	45	A
730013	<b>JETSTREAM 3,5</b>	2,26 kW	TRI	380V/50Hz	70	A
730014	<b>JETSTREAM 4,5</b>	2,04 kW	TRI	380V/50Hz	78	A
730015	<b>JETSTREAM 5,0</b>	2,71 kW	TRI	380V/50Hz	88	A



**For liner pool**

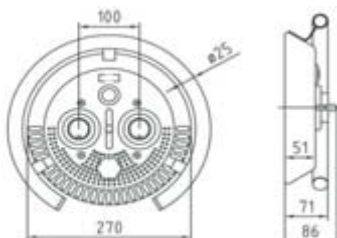
		Power	Phase	Voltage	Flow [m <sup>3</sup> /h]	<b>Rabat Group</b>
730016	<b>JETSTREAM 2,5</b>	2,30 kW	MONO	230V/50Hz	40	A
730017	<b>JETSTREAM 2,5</b>	2,30 kW	TRI	380V/50Hz	40	A
730018	<b>JETSTREAM 3,0</b>	2,76 kW	TRI	380V/50Hz	45	A
730019	<b>JETSTREAM 3,5</b>	2,26 kW	TRI	380V/50Hz	70	A
730020	<b>JETSTREAM 4,5</b>	2,04 kW	TRI	380V/50Hz	78	A
730021	<b>JETSTREAM 5,0</b>	2,71 kW	TRI	380V/50Hz	88	A



### COUNTER CURRENT - BRONZE

#### TAIFUN-DUO

- Counter-current-systems for all kind of pools
- All visible parts out of stainless-steel V4 A
- All functions can be done from the pool
- Made of gun metal
- Three-phase-current 230/400 V - 50 Hz
- Power rating: **2,6 kW**
- Input 3,4 kW / 5,8 A
- **Flow rate 1050 liter/min. at 1,0 bar**



7613050 **TAIFUN-DUO built-in set**

- Mounting depth 240 mm

7640020 **Completion set TAIFUN-DUO**

- Bronze pump 2,6 kW
- Control
- Set of connection fittings
- Mask made of stainless steel V4 A

**Rabat Group**

G

G

#### ACCESSORIES TO THE BUILT-IN SET TAIFUN-DUO



7980050 **Flange set**



7925050 **17 cm extension of the built-in set**



7935050 **Set of elbows - 45° 2 1/2"**



7945050 **Set of elbows - 90° 2 1/2"**



7950000 **Blind flange, polished NiSn**

**Rabat Group**

G

G

G

G

G

#### ACCESSORIES TO THE COMPLETION SET TAIFUN-DUO



7991020 **Handle V4A**



7552050 **Taifun Duo massage hose with a blind flange**



8555150 **Taifun Duo massage hose with a pulsating water jet and blind flange**



7280050 **Console for the 1,5 - 2,2 - 2,6 kW**

**Rabat Group**

G

G

G

G

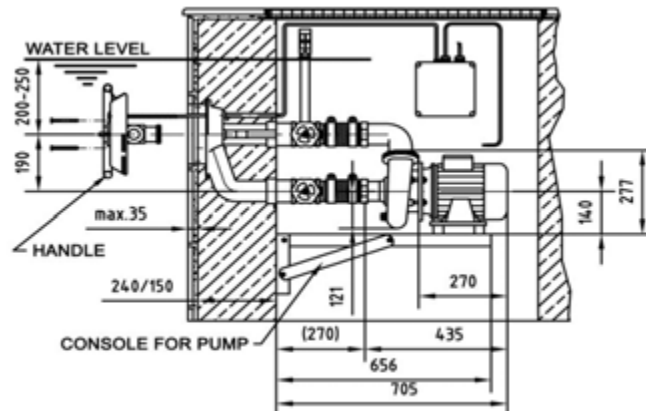
**TAIFUN**

- Counter-current-systems for all kind of pools
- All visible parts out of stainless-steel V4 A
- All functions can be done from the pool
- Made of gun metal
- Three-phase-current 230/400 V - 50 Hz
- Power rating: **2,6 kW**
- Input 3,4 kW / 5,8 A
- **Flow rate 1050 liter/min. at 1,0 bar**



**Rabat Group**

7610050	<p><b>TAIFUN built-in set</b></p> <ul style="list-style-type: none"> <li>■ Mounting depth 240 mm</li> </ul>	G
7611550	<p><b>TAIFUN built-in set</b></p> <ul style="list-style-type: none"> <li>■ Mounting depth 150 mm</li> </ul>	G
7620020	<p><b>Completion set TAIFUN - ROUND MASK</b></p> <ul style="list-style-type: none"> <li>■ Bronze pump 2,6 kW</li> <li>■ Control</li> <li>■ Set of connection fittings</li> <li>■ Round mask made of stainless steel V4 A</li> </ul>	G
7630020	<p><b>Completion set TAIFUN - SQUARE MASK</b></p> <ul style="list-style-type: none"> <li>■ Bronze pump 2,6 kW</li> <li>■ Set of connection fittings and control</li> <li>■ Rectangular mask made of stainless steel V4 A</li> </ul>	G



**ACCESSORIES TO THE BUILT-IN SET TAIFUN SAME AS TAIFUN-DUO**

**ACCESSORIES TO THE COMPLETION SET TAIFUN**



7991020	<b>Handle V4A for the round mask</b>	G
8090020	<b>Handle V4A for the rectangular mask</b>	G
7551050	<b>Massage hose</b>	G
8551050	<b>Massage hose with a pulsating water jet</b>	G
8555150	<b>Massage nozzle with a pulsating water jet</b>	G
7280050	<b>Console for the 1,5 - 2,2 - 2,6 kW</b>	G

### TORNADO

- Counter-current-systems for all kind of pools
- All visible parts out of stainless-steel V4 A
- All functions can be done from the pool
- Made of gun metal
- Three-phase-current 230/400 V - 50 Hz
- Power rating: **2,6 kW**
- Input 3,4 kW / 5,8 A
- **Flow rate 1050 liter/min. at 1,0 bar**



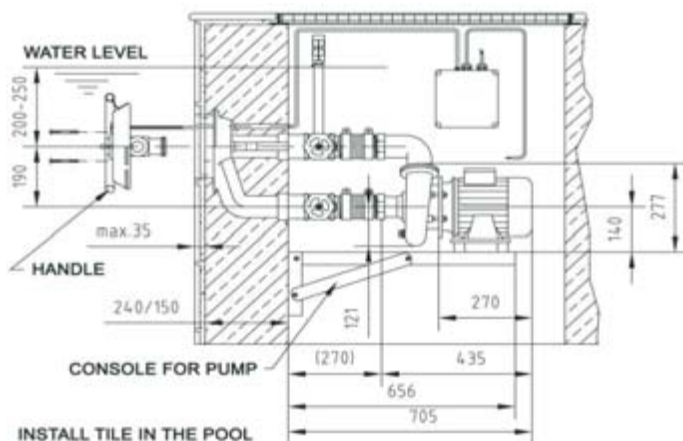
8100050 **TORNADO built-in set**  
 ■ Mounting depth 240 mm

8110000 **Completion set TORNADO**  
 ■ Bronze pump 2,6 kW  
 ■ Set of connection fittings and control  
 ■ Rectangular mask made of NiSn

**Rabat Group**

G

G



### ACCESSORIES TO THE BUILT-IN SET TORNADO

**Rabat Group**



8130050 **Flange set**

G



7925050 **Extension set 17 am**

G



7935050 **Set of elbows - 45° 2 1/2"**

G



7945050 **Set of elbows - 90° 2 1/2"**

G

### ACCESSORIES TO THE COMPLETION SET TORNADO



8120020 **Handle V4A**

G

7551050 **Massage hose**

G

8551050 **Massage hose with a pulsation water jet**

G



8555150 **Massage nozzle with a pulsating water jet**

G

7280050 **Console for 1,5 - 2,2 - 2,6 kW**

G



## BOTTOM MASSAGE - BRONZE

### BOTTOM MASSAGE - AIR



8500050 **Air bottom massage - built-in set - side outlet**

**Rabat Group**

G

8510050 **Air bottom massage - built-in set - bottom out.**

G

8530020 **Completion set AIR BOTTOM MASSAGE for concrete and liner pool**

G

710033 **Completion set AIR BOTTOM MASSAGE for fiberglass pool**

G

- Blowers 1,3 kW (alternating current)
- Non-return valve
- Pneumatic button
- Massage plate polished NiSn
- Control box
- Switch with safety

8522050 **Flange set for liner**

G

- 2-parts



### COMBI - WHIRL FLOOR MASSAGE



710035 **Air + water bottom massage - built-in set**

**Rabat Group**

G

710036 **Completion set - air+water bottom massage**

G

710037 **Completion set - air+water bottom massage white suction grid V4A**

G

- Pumps 2,2 kW
- Pneumatic button
- Massage plate polished NiSn
- Control box
- Suction grid V4 A

**WALL MASSAGE DEVICE - BRONZE**

**STANDARD WALL MASSAGE DEVICE - 2 NOZZLES**

- Made of gunmetal (bronze)

**Rabat Group**



8696050

**Wall massage 2 nozzles - built-in set**  
■ Mounting depth 240 mm

G



8697020

**Completion set WALL MASSAGE DEVICE 2 for concrete pool**

G

8699020

**Completion set WALL MASSAGE DEVICE 2 for liner pool**

G

8698020

**Completion set WALL MASSAGE DEVICE 2 for pre-fabricated pool**

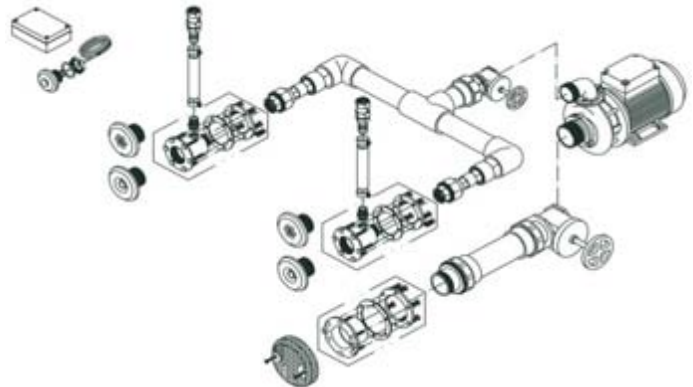
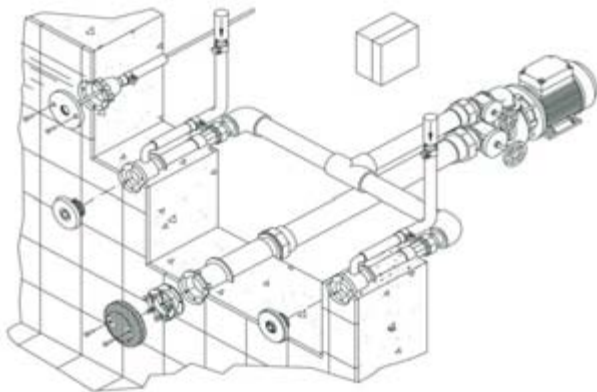
G



- Bronze pump 0,5 kW
- Alternating-current
- Pneumatic button
- Fittings pneumatic switch
- Covers made of stainless steel V4 A
- Suction grid made of stainless steel V4 A
- Control box
- 2x nozzles - polished NiSn

▼ installation scheme for concrete and liner pool

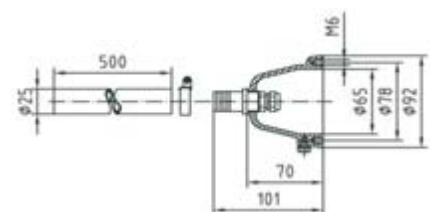
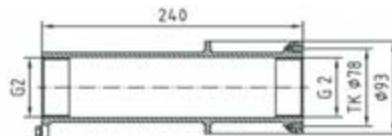
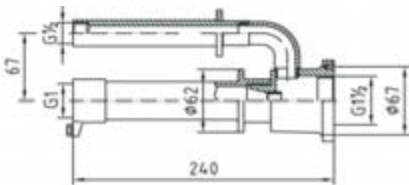
▼ installation scheme for pre-fabricated pool



▼ through wall for wall massage

▼ through wall for suction grid

▼ through wall for pneu. button



8669850

**Built-in housing pressure side**  
■ For concrete and liner pools  
■ Mounting depth 240 mm

G



8669420

**Message nozzle G1 1/2**  
■ With nozzles

G

**SUCTION HOUSING**

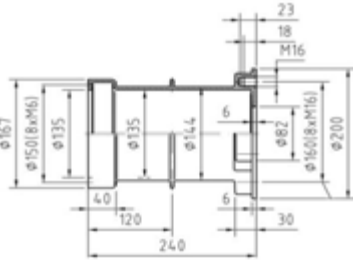
- Made of gunmetal (bronze)

**Rabat Group**  
G



9161020 **Suction housing DN 65**

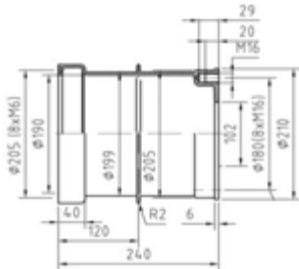
- Connection: G2½" internal thread
- Complete with suction sieve made of stainless steel V4A
- Diameter: Ø 200 mm
- Hair protected DIN 13451



9162020 **Suction housing DN 80**

G

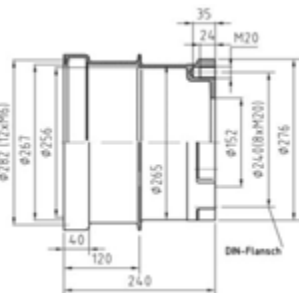
- Connection DN80 with PVC-flange-sleeve and flange
- Complete with suction sieve made of stainless steel V4A
- Diameter: Ø 350 mm
- Hair protected DIN 13451



9163020 **Suction housing DN 100**

G

- Connection DN100 with PVC-flange-sleeve and flange
- Complete with suction sieve made of stainless steel V4A
- Diameter: Ø 485 mm
- Hair protected DIN 13451



9164020 **Suction housing DN 150**

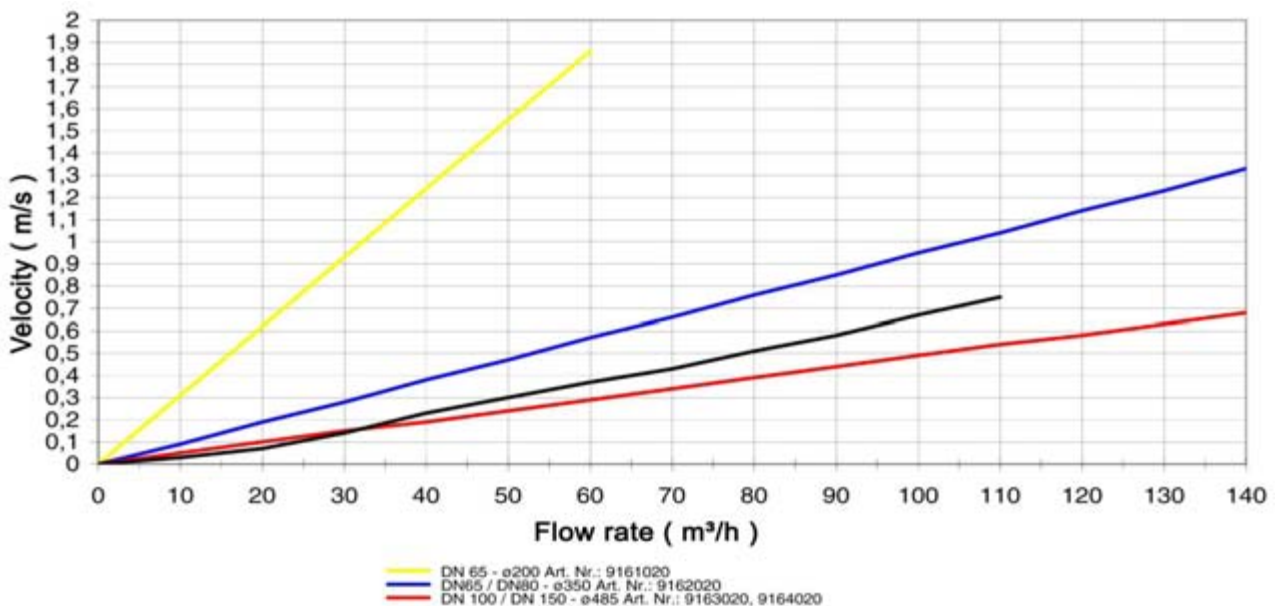
G

- Connection DN150 with PVC-flange-sleeve and flange
- Complete with suction sieve made of stainless steel V4A
- Diameter: Ø 485 mm
- Hair protected DIN 13451

9161550 **Flange for suction housing DN 65** G

9162550 **Flange for suction housing DN 80** G

9163550 **Flange for suction housing DN 100** G



### PNEUMATIC SWITCH BRONZE / STAINLESS STEEL



7010120 **Pneumatic switch for concrete pool - complete**  
 ■ Cover made of stainless steel 316Ti

**Rabat Group**

G



7010220 **Pneumatic switch for liner pool - complete**  
 ■ With flanges for liner pool  
 ■ Cover made of stainless steel 316Ti

G



7322060 **Pneumatic control 230 / 400 V**  
 ■ For 2,6 kW pumps, three-phase-current  
 ■ Only for pneumatic switch bronze/stainless steel!

G

8710050 **Built-in niche for pneumatic switch**

G

8712020 **Pneumatic switch element**

G

### POOL ATTRACTIONS - MADE OF STAINLESS STEEL

#### AIR HYDROMASSAGE GRILLE

All the floor massage are made of quality stainless steel AISI 316L V4 A.  
 Surface finish polished steel.



740001 **ROUND GRILLE - LUX - for concrete pool**  
 ■ dimension: Ø 320 mm

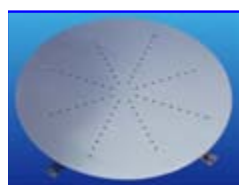
**Rabat Group**

G

740002 **ROUND GRILLE - LUX - for liner pool**  
 ■ dimension: Ø 320 mm

G

**Rabat Group**



740109 **ROUND GRILLE - for concrete pool**  
 ■ dimension: Ø 475 mm

A

740110 **ROUND GRILLE - for liner pool**  
 ■ dimension: Ø 475 mm

A



740111 **SQUARE GRILLE - for concrete pool**  
 ■ dimension: 414 x 414 mm

A

740112 **SQUARE GRILLE - for liner pool**  
 ■ dimension: 414 x 414 mm

A





**AIR & HYDRO MASSAGE INLETS - STAINLESS STEEL**

Made of quality stainless steel AISI 316L V4 A

**HYDRO MASSAGE INLET**

Complete with body and orientable inlet!

**Rabat Group**



740168 **Hydromassage inlet STANDARD - G 1 1/2" for concrete pool**  
 ■ Connection: water inlet G1" int.(C), air inlet G3/8" ext.(D)  
 ■ Dimension: Ø 102 mm (A) x L 75 mm (F)  
 ■ Max. flow rate: 6 m³/h

G

740169 **Hydromassage inlet STANDARD - G 2" for concrete pool**  
 ■ Connection: water inlet G1" int.(C), air inlet G3/8" ext.(D)  
 ■ Dimension: Ø 105 mm (A) x L 75 mm (F)  
 ■ Max. flow rate: 8 m³/h

G



740170 **Hydromassage inlet STANDARD - G 3" for concrete pool**  
 ■ Connection: water inlet G1 1/2" int. (C), air inlet G1/2" ext. (D)  
 ■ Dimension: Ø 130 mm (A) x L 115 mm (F)  
 ■ Max. flow rate: 12 m³/h

G

740171 **Hydromassage inlet STANDARD - G 1 1/2" for liner pool**  
 ■ Connection: water inlet G1" int.(C), air inlet G3/8" ext.(D)  
 ■ Dimension: Ø 102 mm (A) x L 75 mm (F)  
 ■ Max. flow rate: 6 m³/h

G



740172 **Hydromassage inlet STANDARD - G 2" for liner pool**  
 ■ Connection: water inlet G1" int.(C), air inlet G3/8" ext.(D)  
 ■ Dimension: Ø 105 mm (A) x L 75 mm (F)  
 ■ Max. flow rate: 8 m³/h

G

740173 **Hydromassage inlet STANDARD - G 3" for liner pool**  
 ■ Connection: water inlet G1 1/2" int. (C), air inlet G1/2" ext. (D)  
 ■ Dimension: Ø 145 mm (A) x L 115 mm (F)  
 ■ Max. flow rate: 12 m³/h

G



740178 **Hydromassage inlet DE LUXE - G 2" for concrete pool**

G

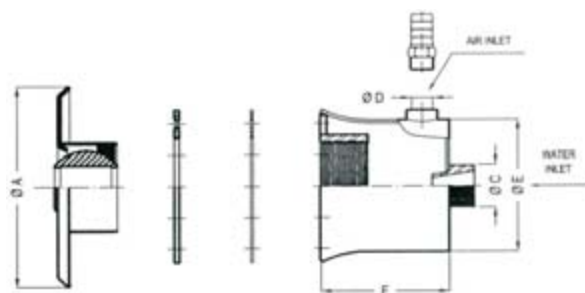
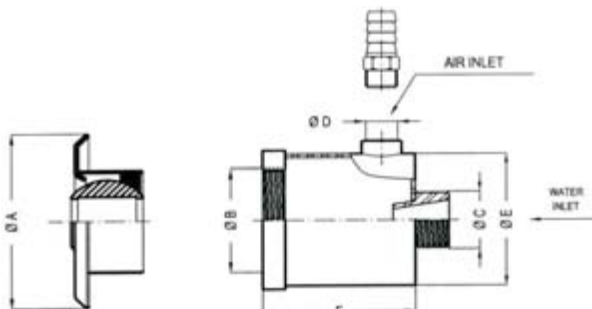


740177 **Hydromassage inlet DE LUXE - G 2" for liner pool**  
 ■ Connection: water inlet G1" int., air inlet G3/8" ext.  
 ■ Dimension: Ø 105 mm x L 75 mm  
 ■ Max. flow rate: 8 m³/h

G

▼ hydromassage inlet STANDARD for concrete pool

▼ hydromassage inlet STANDARD for liner pool



### AIR MESSAGE INLET



740179 **Air message inlet - G 1½" - for concrete pool**

**Rabat Group**

G

740180 **Air message inlet - G 1½" - for liner pool**

G

740183 **Air message inlet - G 2" - for concrete pool**

G

740184 **Air message inlet - G 2" - for liner pool**

G

#### For concrete pool



740185 **Air message mini inlet - G 3/8"**

G

- With 3 holes
- Dimension: Ø 31 mm x L 25 mm

740186 **Air message mini inlet - G 1/2"**

G

- With 5 holes
- Dimension: Ø 35 mm x L 27 mm

740187 **Air message mini inlet - G 3/4"**

G

- With 7 holes
- Dimension: Ø 40 mm x L 32 mm

### HYDRO MESSAGE INLET

- Made of ABS
- Connection: water inlet Ø 33, air inlet Ø 25
- Dimension: Ø 110 mm (cover flange)

**Rabat Group**

G



740188 **Hydromassage inlet - ADJUSTABLE for concrete pool**

G

740189 **Hydromassage inlet - ADJUSTABLE for liner pool**

G



740190 **Hydromassage inlet - ROTOR for concrete pool**

G

740191 **Hydromassage inlet - ROTOR for liner pool**

G



740192 **Hydromassage inlet - 7 JETS for concrete pool**





G

740193 **Hydromassage inlet - 7 JETS for liner pool**

G

740194 **Stainless steel Plate for cover**  
AISI 316/L - V4A


## PNEUMATIC BUTTON

			Rabat Group
	740195	<b>Pneumatic button - Round</b> ■ Made of ABS	G
	740196	<b>Pneumatic button switch with 1 button</b> ■ Made of stainless steel AISI 316L V4A ■ Complete with base	G
	740197	<b>Pneumatic button switch with 2 buttons</b> ■ Made of stainless steel complete with base ■ Complete with base	G
	740198	<b>Pneumatic button switch with 3 buttons</b> ■ Made of stainless steel complete with base ■ Complete with base	G

## FOUNTAINS SUCTION - FIXED FOR PIPE

- Made of stainless steel AISI 316 L V4 A - polished finish


### For concrete pool

			Rabat Group
	740140	<b>Fountain suction - fixed for pipe 75/90</b> ■ Diameter: Ø 120 mm	G
	740141	<b>Fountain suction - fixed for pipe 90/110</b> ■ Diameter: Ø 145 mm	G
	740142	<b>Fountain suction - fixed for pipe 125/140</b> ■ Diameter: Ø 180 mm	G


## FOUNTAINS SUCTION - THREADED

- Made of stainless steel AISI 316 L V4 A - polished finish

### For concrete pool

			Rabat Group
	740134	<b>Fountain suction - G 3" ext.</b>	G
	740135	<b>Fountain suction - G 4" ext.</b>	G
	740136	<b>Fountain suction - G 5" ext.</b>	G

### For liner pool

	740137	<b>Fountain suction - G 3" ext.</b>	G
	740138	<b>Fountain suction - G 4" ext.</b>	G
	740139	<b>Fountain suction - G 5" ext.</b>	G

### WALL SAFETY - ROUND COVER GRILLES

- Made of stainless steel AISI 316 L V4 A - polished finish
- With 2 holes for fixing



#### For concrete pool

740143	<b>Round cover grille - Ø 168</b>
740144	<b>Round cover grille - Ø 220</b>
740145	<b>Round cover grille - Ø 273</b>
740146	<b>Round cover grille - Ø 320</b>

**Rabat Group**

G  
G  
G  
G

### WALL SAFETY - SQUARE COVER GRILLES

- Made of stainless steel AISI 316 L V4 A - polished finish
- Only grille



740151	<b>Square cover grille 240 x 240 mm</b>
740152	<b>Square cover grille 290 x 290 mm</b>
740153	<b>Square cover grille 390 x 390 mm</b>
740154	<b>Square cover grille 490 x 290 mm</b>
740155	<b>Square cover grille 600 x 390 mm</b>

**Rabat Group**

G  
G  
G  
G  
G

### FRAME FOR WALL SAFETY GRILLES - SQUARE TYPE

- Made of stainless steel AISI 316 L V4 A - polished finish
- Only frame



#### For concrete pool

740156	<b>Frame - 24 x 24 cm - 3"</b>
740157	<b>Frame - 29 x 29 cm - 4"</b>
740158	<b>Frame - 39 x 39 cm - 5"</b>
740159	<b>Frame - 49 x 29 cm - 2x 4"</b>
740160	<b>Frame - 60 x 39 cm - 2x 5"</b>

**Rabat Group**

G  
G  
G  
G  
G

### FRAME FOR WALL SAFETY GRILLES - SQUARE TYPE

- Made of stainless steel AISI 316 L V4 A - polished finish
- Only frame

#### For pre-fabricate pool

740161	<b>Frame - 24 x 24 cm - 3"</b>
740162	<b>Frame - 29 x 29 cm - 4"</b>
740163	<b>Frame - 39 x 39 cm - 5"</b>
740164	<b>Frame - 49 x 29 cm - 2x 4"</b>
740165	<b>Frame - 60 x 39 cm - 2x 5"</b>

**Rabat**

G  
G  
G  
G  
G



**WALL SAFETY - RECTANGULAR COVER GRILLES**

- Made of stainless steel AISI 316 L V4 A - polished finish
- Only grille



- 740166 **Rectangular cover grille 330 x 720 mm**
- 740167 **Rectangular cover grille 330 x 950 mm**

**Rabat Group**

G  
G

**AIR HYDRO-MASSAGE BEDS**

- Made of stainless steel AISI 316 L V4 A - polished finish



**For concrete pool**

- 740117 **Single air hydro-massage bed**  
■ Width 150 mm
- 740118 **Double air hydro-massage bed**  
■ Width 270 mm

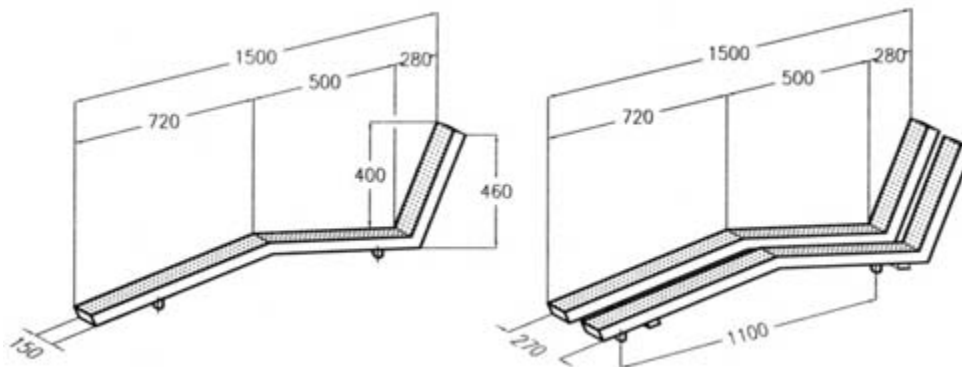
**Rabat Group**

G  
G

**For liner pool**

- 740119 **Single air hydro-massage bed**  
■ Width 210 mm
- 740500 **Double air hydro-massage bed**  
■ Width 280 mm

G  
G



### AIR HYDRO-MASSAGE BEDS WITH HANDRAIL

- Made of stainless steel AISI 316 L V4 A - polished finish



#### For concrete pool

- 740120 **Single air hydro-massage bed with handrail**  
 ■ Width 150 mm
- 740121 **Double air hydro-massage bed with handrail**  
 ■ Width 270 mm

**Rabat Group**

G

G

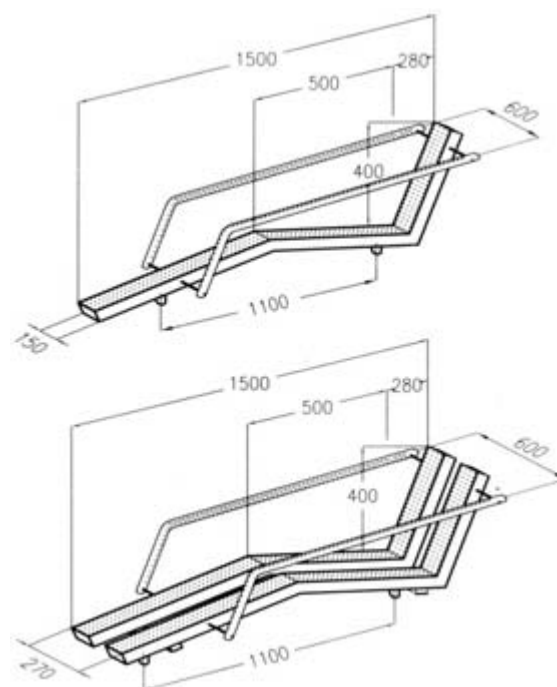
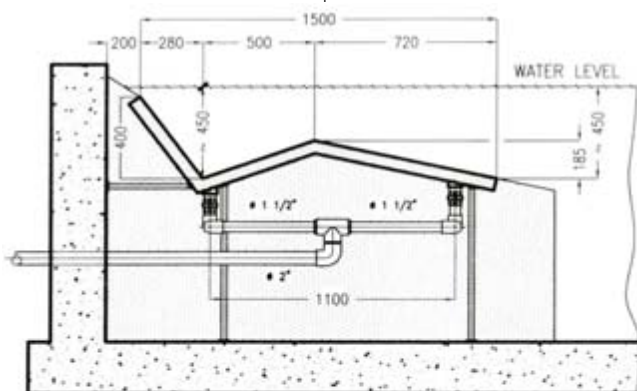
#### For liner pool

- 740122 **Single air hydro-massage bed with handrail**  
 ■ Width 210 mm
- 740501 **Double air hydro-massage bed with handrail**  
 ■ Width 280 mm

G

G

▼ scheme view for concrete pool



### AIR HYDRO-MASSAGE ARM-CHAIR



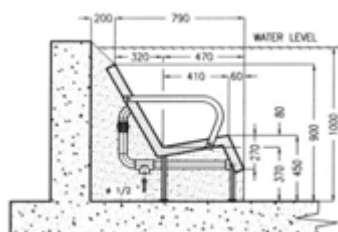
- 740123 **Single arm-chair for concrete pool**  
 ■ Complete  
 ■ Width handrail 270 mm

**Rabat Group**

G

- 740124 **Double arm-chair for liner pool**  
 ■ Complete  
 ■ Width handrail 280 mm

G



## WATER GAMES

- Made of stainless steel AISI 316 L V4 A

### COBRA INFINITY



510101

**Cobra - polished**

- Capacity: 50 m<sup>3</sup>/h
- Height: 690 mm
- Depth: 675 mm
- Connection: G2" mm
- Width: 500 mm

**Rabat Group**

A

510102

**Cobra - brush polished**

- Capacity: 50 m<sup>3</sup>/h
- Height: 690 mm
- Depth: 675 mm
- Connection: G2" mm
- Width: 500 mm

A

### CANON INFINITY



510103

**Canon - polished**

- Capacity: 30 m<sup>3</sup>/h
- Height: 820 mm
- Depth: 950 mm
- Connection: G2" mm
- Width: 210 mm

**Rabat Group**

A

510104

**Canon - brush polished**

- Capacity: 30 m<sup>3</sup>/h
- Height: 820 mm
- Depth: 950 mm
- Connection: G2" mm
- Width: 210 mm

A

### BULL INFINITY



740300

**Bull - brush polished**

- Capacity: 50 m<sup>3</sup>/h
- Height: 800 mm
- Depth: 800 mm
- Connection: G2, 5"
- Width: 700 mm

**Rabat Group**

A

### LION INFINITY



740301

**Lion 600 - brush polished**

- Capacity: 50 m<sup>3</sup>/h
- Height: 1000 mm
- Depth: 965 mm
- Connection: G2, 5"
- Width: 680 mm

**Rabat Group**

A

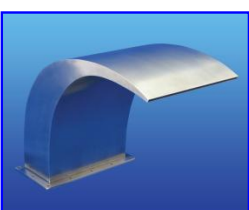
740302

**Lion 1000 - brush polished**

- Capacity: 50 m<sup>3</sup>/h
- Height: 1000 mm
- Depth: 965 mm
- Connection: G2, 5"
- Width: 680 mm

A

### FISH INFINITY



740304

**FISH - polished**

- Capacity: 30 m<sup>3</sup>/h
- Height: 535 mm
- Depth: 695 mm
- Connection: G2" mm
- Width: 410 mm

**Rabat Group**

A

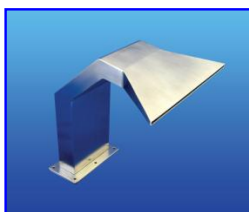
740303

**FISH - brush polished**

- Capacity: 30 m<sup>3</sup>/h
- Height: 535 mm
- Depth: 695 mm
- Connection: G2" mm
- Width: 410 mm

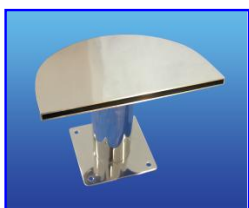
A

### RAM INFINITY



- |        |  |   |                  |
|--------|--|---|------------------|
| 740306 | <b>RAM - polished</b> <ul style="list-style-type: none"> <li>■ Capacity: 30 m3/h</li> <li>■ Height: 510 mm</li> <li>■ Depth: 395 mm</li> </ul>       | <ul style="list-style-type: none"> <li>■ Connection: G2" mm</li> <li>■ Width: 420 mm</li> </ul> | Rabat Group<br>A |
| 740305 | <b>RAM - brush polished</b> <ul style="list-style-type: none"> <li>■ Capacity: 30 m3/h</li> <li>■ Height: 510 mm</li> <li>■ Depth: 395 mm</li> </ul> | <ul style="list-style-type: none"> <li>■ Connection: G2" mm</li> <li>■ Width: 420 mm</li> </ul> | Rabat Group<br>A |

### SCORPION INFINITY



- |        |   |   |                  |
|--------|---|---|------------------|
| 740308 | <b>SCORPION - polished</b> <ul style="list-style-type: none"> <li>■ Capacity: 30 m3/h</li> <li>■ Height: 315 mm</li> <li>■ Depth: 210 mm</li> </ul>       | <ul style="list-style-type: none"> <li>■ Connection: G2" mm</li> <li>■ Width: 250 mm</li> </ul> | Rabat Group<br>A |
| 740307 | <b>SCORPION - brush polished</b> <ul style="list-style-type: none"> <li>■ Capacity: 30 m3/h</li> <li>■ Height: 315 mm</li> <li>■ Depth: 210 mm</li> </ul> | <ul style="list-style-type: none"> <li>■ Connection: G2" mm</li> <li>■ Width: 250 mm</li> </ul> | Rabat Group<br>A |

### CAPRICORN INFINITY



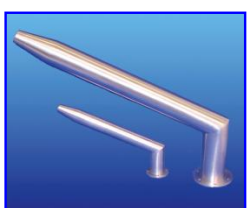
- |        |  |  |                  |
|--------|--|--|------------------|
| 740310 | <b>CAPRICORN - polished</b> <ul style="list-style-type: none"> <li>■ Capacity: 21,5 m3/h</li> <li>■ Height: 780 mm</li> <li>■ Depth: 345 mm</li> </ul>       | <ul style="list-style-type: none"> <li>■ Connection: G1,5"</li> <li>■ Width: 110 mm</li> </ul> | Rabat Group<br>A |
| 740309 | <b>CAPRICORN - brush polished</b> <ul style="list-style-type: none"> <li>■ Capacity: 21,5 m3/h</li> <li>■ Height: 780 mm</li> <li>■ Depth: 345 mm</li> </ul> | <ul style="list-style-type: none"> <li>■ Connection: G1,5"</li> <li>■ Width: 110 mm</li> </ul> | Rabat Group<br>A |

### SHOOTER INFINITY



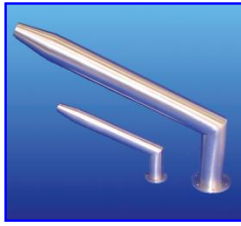
- |        |  |  |                  |
|--------|--|--|------------------|
| 740312 | <b>SHOOTER - polished</b> <ul style="list-style-type: none"> <li>■ Capacity: 21,5 m3/h</li> <li>■ Height: 780 mm</li> <li>■ Depth: 345 mm</li> </ul>       | <ul style="list-style-type: none"> <li>■ Connection: G1,5"</li> <li>■ Width: 110 mm</li> </ul> | Rabat Group<br>A |
| 740311 | <b>SHOOTER - brush polished</b> <ul style="list-style-type: none"> <li>■ Capacity: 21,5 m3/h</li> <li>■ Height: 780 mm</li> <li>■ Depth: 345 mm</li> </ul> | <ul style="list-style-type: none"> <li>■ Connection: G1,5"</li> <li>■ Width: 110 mm</li> </ul> | Rabat Group<br>A |

### STREAMLINE LARGE INFINITY



- |        |  |  |                  |
|--------|--|--|------------------|
| 740314 | <b>STREAMLINE LARGE - polished</b> <ul style="list-style-type: none"> <li>■ Capacity: 30 m3/h</li> <li>■ Height: 725 mm</li> <li>■ Depth: 853 mm</li> </ul>        | <ul style="list-style-type: none"> <li>■ Connection: G2"</li> <li>■ Width: 175 mm</li> </ul> | Rabat Group<br>A |
| 740313 | <b>STREAM LINE LARGE - brush polished</b> <ul style="list-style-type: none"> <li>■ Capacity: 30 m3/h</li> <li>■ Height: 725 mm</li> <li>■ Depth: 853 mm</li> </ul> | <ul style="list-style-type: none"> <li>■ Connection: G2"</li> <li>■ Width: 175 mm</li> </ul> | Rabat Group<br>A |

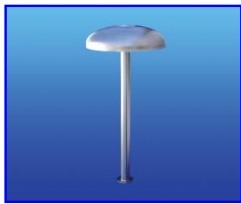


**STREAMLINE SMALL INFINITY**

740316	<b>STREAMLINE SMALL - polished</b>		Rabat Group
	<ul style="list-style-type: none"> <li>■ Capacity: 21,5 m3/h</li> <li>■ Height: 380 mm</li> <li>■ Depth: 495 mm</li> </ul>	<ul style="list-style-type: none"> <li>■ Connection: G1,5"</li> <li>■ Width: 100 mm</li> </ul>	A
740315	<b>STREAMLINE SMALL - brush polished</b>		Rabat Group
	<ul style="list-style-type: none"> <li>■ Capacity: 21,5 m3/h</li> <li>■ Height: 380 mm</li> <li>■ Depth: 495 mm</li> </ul>	<ul style="list-style-type: none"> <li>■ Connection: G1,5"</li> <li>■ Width: 100 mm</li> </ul>	A

**SEA SERPENT INFINITY**

740317	<b>SEA SERPENT - brush polished</b>		Rabat Group
	<ul style="list-style-type: none"> <li>■ Capacity: 50 m3/h</li> <li>■ Height: 2320 mm</li> <li>■ Depth: 270 mm</li> </ul>	<ul style="list-style-type: none"> <li>■ Connection: DN65 PN10/76,1 AL</li> <li>■ Width: 270 mm</li> </ul>	A

**MUSHROOM INFINITY WITH STAINLESS STEEL CAP**

740319	<b>MUSHROOM 900 - brush polished</b>		Rabat Group
	<ul style="list-style-type: none"> <li>■ Capacity: 50 m3/h</li> <li>■ Height: 2280 mm</li> <li>■ Depth: 900 mm</li> </ul>	<ul style="list-style-type: none"> <li>■ Connection: DN 65 PN 10/76,1 AL</li> <li>■ Width: 900 mm</li> </ul>	A
740320	<b>MUSHROOM 1000 - brush polished</b>		Rabat Group
	<ul style="list-style-type: none"> <li>■ Capacity: 50 m3/h</li> <li>■ Height: 2280 mm</li> <li>■ Depth: 1000 mm</li> </ul>	<ul style="list-style-type: none"> <li>■ Connection: DN 65 PN 10/76,1 AL</li> <li>■ Width: 1000 mm</li> </ul>	A
740321	<b>MUSHROOM 1200 - brush polished</b>		Rabat Group
	<ul style="list-style-type: none"> <li>■ Capacity: 50 m3/h</li> <li>■ Height: 2280 mm</li> <li>■ Depth: 1200 mm</li> </ul>	<ul style="list-style-type: none"> <li>■ Connection: DN 65 PN 10/76,1 AL</li> <li>■ Width: 1200 mm</li> </ul>	A

**MUSHROOM INFINITY WITH FIBERGLASS CAP**

740322	<b>MUSHROOM 2000 - brush polished</b>		Rabat Group
	<ul style="list-style-type: none"> <li>■ Capacity: 80 m3/h</li> <li>■ Height: 2280 mm</li> <li>■ Depth: 2000 mm</li> </ul>	<ul style="list-style-type: none"> <li>■ Connection: DN 80 PN 10/88,9 AL</li> <li>■ Width: 2000 mm</li> <li>■ Stainless steel leg</li> </ul>	A

**FALL**

- Complete with counterflange to be cemented in place



740005	<b>FALL 300</b>	L	Rabat Group
	<ul style="list-style-type: none"> <li>■ Jet width 300 mm</li> </ul>		G
740006	<b>FALL 400</b>	L	Rabat Group
	<ul style="list-style-type: none"> <li>■ Jet width 400 mm</li> </ul>		G
740007	<b>FALL 600</b>	*	Rabat Group
	<ul style="list-style-type: none"> <li>■ Jet width 600 mm</li> </ul>		G

- \* Colours on request: SILVER/METALLIC BLUE - PEARL WHITE.
- L=Mirror finish. You are recommended to earth the installation.
- For wooden packing, the cost will be charged separately.

### HALFMOON

- Complete with counterflange to be cemented in place



740009	<b>HALFMOON M 325</b> ■ Jet width 325 mm	
740010	<b>HALFMOON M 500</b> ■ Jet width 500 mm	*
740011	<b>HALFMOON M 625</b> ■ Jet width 625 mm	*

**Rabat Group**

G

G

G

- \* **Colours on request: SILVER/METALLIC BLUE - PEARL WHITE.**
- **L=Mirror finish. You are recommended to earth the installation.**
- For wooden packing, the cost will be charged separately.

### MINI COBRA



740012	<b>MINI COBRA 300</b> ■ Jet width 300 mm	
740013	<b>MINI COBRA 500</b> ■ Jet width 500 mm	
740014	<b>COBRA 650</b> ■ Jet width 650 mm	
740015	<b>SUPER COBRA 800</b> ■ Jet width 800 mm	

**Rabat Group**

G

G

G

G

### "SUNFLOWER"



740016	<b>Ø 76 TYPE "MEDIUM"</b> ■ With diffuser Ø 168 mm	
740017	<b>Ø 89 TYPE "MAXI"</b> ■ With diffuser Ø 220 mm	

**Rabat Group**

G

G

### "HERON"



740018	<b>Ø 76 TYPE "MEDIUM"</b> ■ With nozzle Ø 27 - 33	
740019	<b>Ø 89 TYPE "MAXI"</b> ■ With nozzle Ø 33 - 48	
740020	<b>Ø 76 Fan outlet</b> ■ AV - 200 mm	
740021	<b>Ø 89 Fan outlet</b> ■ AV - 300 mm	

**Rabat Group**

G

G

G

G

- All the fountains are complete with counterflange to be cemented in place.
- Colours available on request: silver/metallic blue pearl white.
- **You are recommended to earth the installation.**
- For wooden packing, the cost will be charged separately.

## CANNON



740022	<b>CANNONE Ø 89</b> ■ Jet width Ø 33/42	L	
740023	<b>CANNONE Ø 114</b> ■ Jet width Ø 42/48	L	

**Rabat Group**

G

G

## FAN

- Complete with counter flange to be cemented in place.



740024	<b>V - 300</b> ■ Jet width 300 mm	*	■ Ø 76 mm	G
740025	<b>V - 400</b> ■ Jet width 400 mm	*	■ Ø 89 mm	G
740026	<b>V - 500</b> ■ Jet width 500 mm	*	■ Ø 114 mm	G
740027	<b>V - 170</b> ■ Jet width 170 mm	L	■ 60x60 mm	G
740028	<b>V -250</b> ■ Jet width 250 mm	L	■ 80x80 mm	G

**Rabat Group**

G

G

G

G

G

## NOZZLE

- Complete with counter flange to be cemented in place.



740029	<b>U - Ø 60</b> ■ Jet width Ø 27 mm	L		G
740030	<b>U - Ø 89</b> ■ Jet width Ø 33/42 mm	L		G
740031	<b>U - Ø 114</b> ■ Jet width Ø 42/48 mm	L		G
740032	<b>UD - Ø 60</b> ■ Jet width Ø 27 mm	L		G
740033	<b>UD - Ø 89</b> ■ Jet width Ø 33/42 mm	L		G
740034	<b>UD - Ø 114</b> ■ Jet width Ø 42/48 mm	L		G

**Rabat Group**

G

G

G

G

G

G

\* Colours on request: **SILVER/METALLIC BLUE - PEARL WHITE.**

► **L=Shiny polished** ► For wooden packing, the cost will be charged separately.

## WATER HEDGEHOG

**Rabat Group**

A water game with thin spray capillary diffusion. Complete with shell, column and base ring nut and flange to be cemented into paving. Shiny finished.



740035	<b>168</b>	Ø 168 mm = 300/500	G
740036	<b>250</b>	Ø 250 mm = 300/500	G
740037	<b>500</b>	Ø 500 mm = 300/500	G
740038	<b>500</b>	Ø 500 mm = 500/700	G
740039	<b>500</b>	Ø 500 mm = 500/900	G

**MUSHROOM**

**Rabat Group**

- Complete with counter flange to be cemented in place.



**a) VTR FIBERGLASS**

740043	<b>800</b>	Column: Ø 114	G
740044	<b>1000</b>	Column: Ø 140	G
740045	<b>1200</b>	Column: Ø 168	G
740046	<b>1600</b>	Column: Ø 220	G
740047	<b>2000</b>	Column: Ø 273	G
740048	<b>2400</b>	Column: Ø 273	G

**b) STAINLESS STEEL**

740049	<b>800</b>	Column: Ø 114	G
740050	<b>1000</b>	Column: Ø 140	G
740051	<b>1200</b>	Column: Ø 168	G
740052	<b>1600</b>	Column: Ø 220	G *
740053	<b>2000</b>	Column: Ø 273	G *

\* Stainless steel with metallic silver stoved paint finish

**MUSHROOM - STAINLESS STEEL COUNTERFLANGE**

740054	<b>For mushroom fountain - type 800 - 1000</b>	G
740055	<b>For mushroom fountain - type 1200 -1600</b>	G
740056	<b>For mushroom fountain - type 2000 - 2400</b>	G

- For wooden packing, the cost will be charged separately.

**"CASCADA"**

**Rabat Group**



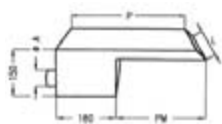
740057	<b>CASCADA 300 mm</b>	G
740058	<b>CASCADA 500 mm</b>	G
740059	<b>CASCADA 750 mm</b>	G
740060	<b>CASCADA 1000 mm</b>	G
740061	<b>CASCADA 1250 mm</b>	G

**FOUNTAINS DECORATIVE FALLS**

**Rabat Group**

**AISI 316 L - V4A STAINLESS STEEL FOUNTAINS DECORATIVE FALLS**

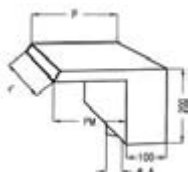
(to insert into the beton)



740067	<b>HORIZONTAL - Jet width 330 mm</b>	G
740068	<b>HORIZONTAL - Jet width 500 mm</b>	G
740069	<b>HORIZONTAL - Jet width 750 mm</b>	G
740070	<b>HORIZONTAL - Jet width 1000 mm</b>	G



740071	<b>VERTICAL "STANDARD" - Jet width 330 mm</b>	G
740072	<b>VERTICAL "STANDARD" - Jet width 500 mm</b>	G
740073	<b>VERTICAL "STANDARD" - Jet width 750 mm</b>	G
740074	<b>VERTICAL "STANDARD" - Jet width 1000 mm</b>	G



740075	<b>VERTICAL "TIGHT" - Jet width 200 mm</b>	G
740076	<b>VERTICAL "TIGHT" - Jet width 300 mm</b>	G
740077	<b>VERTICAL "TIGHT" - Jet width 400 mm</b>	G
740078	<b>VERTICAL "TIGHT" - Jet width 500 mm</b>	G



## WATER UMBRELLA

A water game with a 360° jet of water. It comes complete with column, protection ring nut and flange to be cemented into paving: the whole has a mirror finish.



740079 **OPEN - Ø 170 mm - h. 2500**

**Rabat Group**

G

740080 **OPEN - Ø 220 mm - h. 2500**

G

**You are recommended to earth the installation.**

- For wooden packing, the cost will be charged separately.

## UP - UGELLO

- Made of stainless steel AISI 316 L V4 A - polished finish



740081 **UP-UGELLO Ø 60**  
 ■ Jet width Ø 27 mm

**Rabat Group**

G

740082 **UP-UGELLO Ø 89**  
 ■ Jet width Ø 27 mm

G

## VP - FAN

- Made of stainless steel AISI 316 L V4 A - polished finish



740083 **VP-120** 60 x 60 mm  
 ■ Jet width 120 mm

**Rabat Group**

G

740084 **VP-170** 60 x 60 mm  
 ■ Jet width 170 mm

G

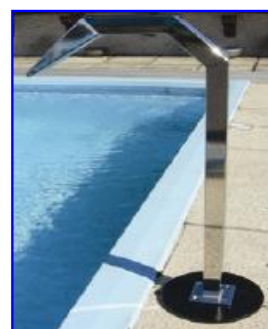
740085 **VP-250** 80 x 80 mm  
 ■ Jet width 250 mm

G

740086 **VP-400** 100 x 100 mm  
 ■ Jet width 400 mm

G

## CERVICAL FAN



740087 **VC-170** 50 x 50 mm  
 ■ Jet width 170 mm

**Rabat Group**

G

740088 **VC-250** 80 x 80 mm  
 ■ Jet width 250 mm

G

# ***ACCESSORIES FOR SWIMMING POOLS***



## CLEANING EQUIPMENT

### TEST SETS



- 540700 **Test kit CI+pH**
- Measurement by the help of tablets
  - 30 pcs in kit

**Rabat Group**

C

- 540701 **Spare tablets pH+Cl - 30 pcs**
- 30 pcs in package

C

### VAC HEADS



- 540703 **Vac head - Premium de Luxe**
- With side brushes
  - Ø 32/38 mm connection for clip

**Rabat Group**

C



- 540704 **Holder**
- For VAC head - Premium

C



- 540705 **Vac head for cleaning corners**
- Ø 32/38 mm connection for clip

C



- 540502 **Vac head flexible**
- Ø 38 mm connection for clip
  - Ø flexible vacuum cleaner

C

### HANDLES



- 540121 **Telescopic handle 1,2 - 3,6**
- 3-piece

**Rabat Group**

C

- 540120 **Telescopic handle 1,8 - 3,6 m**
- 2-piece

C

- 540020 **Telescopic handle 1,5 - 4,5 m**
- 3-piece

C



- 540021 **Telescopic handle 2,4 - 4,8 m**
- 2-piece

C

**VAC HEAD HOSE**



		Rabat Group
540706	Hose Ø 38 mm - 6m	C
540707	Hose Ø 38 mm - 9m	C
540708	Hose Ø 38 mm - 12m	C
3160838	Hose Ø 38 mm - 8m - including fittings	C
3161038	Hose Ø 38 mm - 10m - including fittings	C
3161238	Hose Ø 38 mm - 12m - including fittings	C
3161538	Hose Ø 38 mm - 15m - including fittings	C

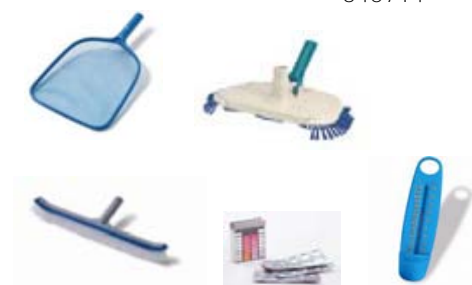
**HOSE SOCKET**

- With hose clips
- Packing 2 pcs



		Rabat Group
540709	Hose socket 1½" - red. Ø 32 - Ø 38	C
540710	Hose socket Ø 32	C
540711	Hose socket Ø 38	C
540712	Hose socket Ø 32 - Ø 38	C

**MAINTENANCE KITS**



		Rabat Group
540713	<b>Vac head kit LUXUS</b> <ul style="list-style-type: none"> <li>■ With side brushes</li> <li>■ VAC head hose 7,5m</li> <li>■ Telescopic handle 1,8 - 3,6 m</li> </ul>	C
540714	<b>Maintenance KIT - INFINITY</b> <ul style="list-style-type: none"> <li>■ With side brushes Premium de Lux</li> <li>■ Pooltester</li> <li>■ Brush - aluminium</li> <li>■ Flat leaf skimmer with aluminium frame</li> <li>■ Brush curved</li> <li>■ Thermometer JUMBO</li> </ul>	C



## LEAF



- 540715 **Flat leaf skimmer PROFI**
- All-plastic
  - Strong net 38 x 38 cm
  - Unbreakable

**Rabat Group**

C



- 540716 **Leaf skimmer PROFI**
- All-plastic
  - Strong net 50 x 28 cm
  - Unbreakable

C



- 540717 **Flat leaf skimmer ALU**
- Frame is made from plastic material reinforced with aluminium
  - New resistant design

C



- 540718 **Leaf skimmer ALU**
- Frame is made from plastic material reinforced with aluminium
  - New resistant design

C



- 540719 **Flat leaf skimmer BASIC**
- Frame is made from plastic material
  - Aluminium handle 150 cm

C

## FLOATING DISPENSER



- 540720 **Floating dispenser MEDIUM**
- For small tablet

**Rabat Group**

C



- 540721 **Floating dispenser LARGE**
- For large tablet

C

## BRUSHES



- 540722 **Brush ALU - 45 cm**
- Frame is made from plastic material reinforced with aluminium

**Rabat Group**

C



- 540723 **Brush PROFI - 25 cm**
- Made from plastic material

C

**BRUSHES**



540724

**Brush PROFI - 50 cm**

- Made from plastic material

**Rabat Group**

C



540725

**Brush curved - 42 cm**

C



540726

**Hand brush**

- New design for good cleaning

C



540727

**Cleaning sponge - 2 pcs**

- New design for good cleaning

C

**THERMOMETERS**



540728

**Thermometer JUMBO**

- Made from plastic material
- String 25 cm

**Rabat Group**

C



540729

**Thermometer floating**

- Made from plastic material
- Length 17,5 cm

C



540730

**Digital thermometer - round**

- Made from plastic material
- Floating thermometer with digital indicator

C



540731

**Thermometer - round**

- Made from plastic material
- Floating thermometer with analog indicator
- Measuring in depth 30 cm

C



540732

**Thermometer BUOY**

- Resistant design
- String

C

## AUTOMATIC VACUUM HEAD

### AUTOMATIC VACUUM HEAD WOBBLE

- Automatic vacuum head for connection to the current filtration through the medium of suction hose which is delivered
- Wobble Infinity is perfect automatic vacuum head for fast cleaning of the swimming bottom
- Capacity of the pump: min. 6 m<sup>3</sup>/h.

**Rabat Group**



540733

#### Automatic vacuum head WOBBLE

- Including 10 m hose and assembly kit

C

### AUTOMATIC VACUUM HEAD INFINITY

- Automatic vacuum head for all swimming pools forms, max. pool dimensions **7 x 15 m**
- Automatic pool cleaner with 400 mm suction width, with two 180 Micron filter bags
- Weight: 9 kg (transportation cart not included)
- Operation voltage 12 Volt, supply voltage: 230 Volt
- Performance: 16.200 liters per hour, speed 0,2 meter per second, with smooth speciality rollerbrushes (wonderbrushes), which are able to clean every type of pool surfaces
- Cleaning time: cca. 2-3 hours, lower consumption of chemicals products cartridge: 50 micron
- Cleaning of walls
- 25 meter floating cable

**Rabat Group**

801092 **Automatic vacuum head INFINITY**

A

530300012 **Wonderbrush - 1 pcs**

A

- For ceramic swimming pools

#### Scope of delivery:

- transport cart
- trafo 24 V
- cable 17 m



### LADDERS

#### model STANDARD

- Manufactured from stainless steel **AISI 304**
- Pipe diameter **Ø40 mm**



#### ANATOMIC TREADS - AISI 304

		Weight [kg]	a [mm]	Rabat Group
610022	<b>Steps: 2</b>	10,0	696	C
610023	<b>Steps: 3</b>	11,8	946	C
610024	<b>Steps: 4</b>	13,2	1196	C
610025	<b>Steps: 5</b>	14,0	1446	C

#### WITH NON-SLIP TREADS - AISI 304

610001	<b>Steps: 2</b>	10,0	696	C
610002	<b>Steps: 3</b>	11,8	946	C
610003	<b>Steps: 4</b>	13,2	1196	C
610004	<b>Steps: 5</b>	14,0	1446	C

#### WITH NON-SLIP TREADS - AISI 316

610040	<b>Steps: 2</b>	10,0	696	C
610041	<b>Steps: 3</b>	11,8	946	C
610042	<b>Steps: 4</b>	13,2	1196	C
610043	<b>Steps: 5</b>	14,0	1446	C

#### model MURO

- Manufactured from stainless steel **AISI 304**
- Pipe diameter **Ø40 mm**



#### ANATOMIC TREADS - AISI 304

		Weight [kg]	a [mm]	Rabat Group
610026	<b>Steps: 2</b>	10,0	696	C
610027	<b>Steps: 3</b>	11,8	946	C
610028	<b>Steps: 4</b>	13,2	1196	C
610029	<b>Steps: 5</b>	14,0	1446	C

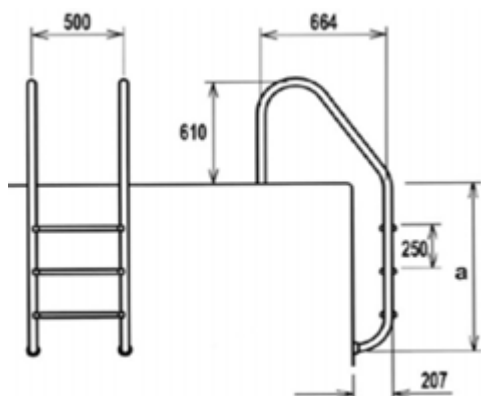
#### WITH NON-SLIP TREADS - AISI 304

610005	<b>Steps: 2</b>	10,0	696	C
610006	<b>Steps: 3</b>	11,8	946	C
610007	<b>Steps: 4</b>	13,2	1196	C
610008	<b>Steps: 5</b>	14,0	1446	C

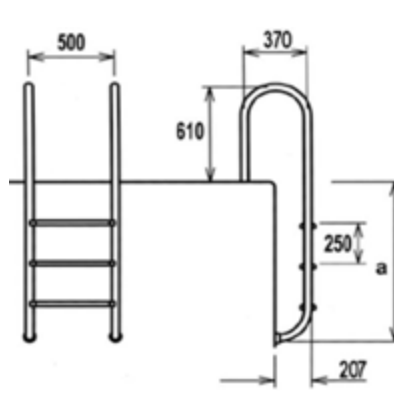
#### WITH NON-SLIP TREADS - AISI 316

610044	<b>Steps: 2</b>	10,0	696	C
610045	<b>Steps: 3</b>	11,8	946	C
610046	<b>Steps: 4</b>	13,2	1196	C
610047	<b>Steps: 5</b>	14,0	1446	C

#### ▼ model STANDARD



#### ▼ model MURO





**model MIXTA**

- Manufactured from stainless steel **AISI 304**
- Pipe diameter **Ø40 mm**



**ANATOMIC TREADS - AISI 304**

610048	<b>Steps: 2</b>
610049	<b>Steps: 3</b>
610050	<b>Steps: 4</b>
610051	<b>Steps: 5</b>

**WITH NON-SLIP TREADS - AISI 304**

610009	<b>Steps: 2</b>
610010	<b>Steps: 3</b>
610011	<b>Steps: 4</b>
610012	<b>Steps: 5</b>

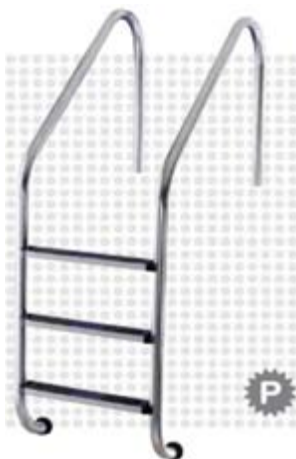
**WITH NON-SLIP TREADS - AISI 316**

610052	<b>Steps: 2</b>
610053	<b>Steps: 3</b>
610054	<b>Steps: 4</b>
610055	<b>Steps: 5</b>

Weight [kg]	a [mm]	Rabat Group
10,0	696	C
11,8	946	C
13,2	1196	C
14,0	1446	C

**model STANDARD - OVERFLOW**

- Manufactured from stainless steel **AISI 304**
- Pipe diameter **Ø40 mm**



**WITH NON-SLIP TREADS - AISI 304**

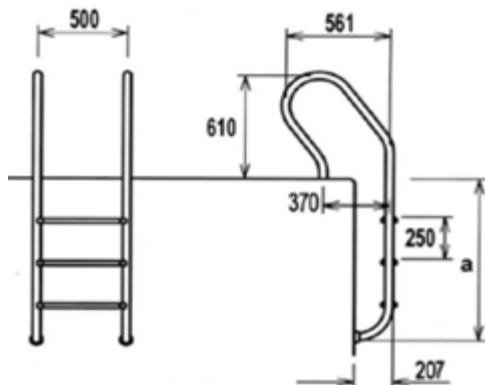
610030	<b>Steps: 2</b>
610031	<b>Steps: 3</b>
610032	<b>Steps: 4</b>
610033	<b>Steps: 5</b>

**WITH NON-SLIP TREADS - AISI 316**

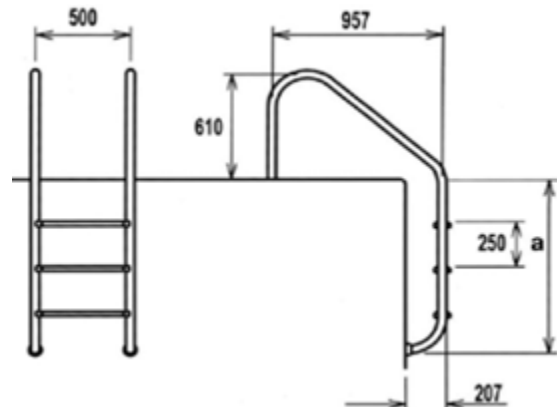
610056	<b>Steps: 2</b>
610057	<b>Steps: 3</b>
610058	<b>Steps: 4</b>
610059	<b>Steps: 5</b>

Weight [kg]	a [mm]	Rabat Group
10,0	696	C
12,0	946	C
14,0	1196	C
15,0	1446	C

▼ **model MIXTA**



▼ **model STANDARD - OVERFLOW**



### model TWO PIECES

- Manufactured from stainless steel **AISI 304**
- Pipe diameter **Ø40 mm**



#### ANATOMIC TREADS - AISI 304

610060	<b>Steps: 2</b>
610061	<b>Steps: 3</b>
610062	<b>Steps: 4</b>
610063	<b>Steps: 5</b>

Weight [kg]	a [mm]	Rabat Group
21,5	515	C
22,5	765	C
23,5	1015	C
24,5	1265	C

#### WITH NON-SLIP TREADS - AISI 304

610013	<b>Steps: 2</b>
610014	<b>Steps: 3</b>
610015	<b>Steps: 4</b>
610016	<b>Steps: 5</b>

21,5	515	C
22,5	765	C
23,5	1015	C
24,5	1265	C

#### WITH NON-SLIP TREADS - AISI 316

610064	<b>Steps: 2</b>
610065	<b>Steps: 3</b>
610066	<b>Steps: 4</b>
610067	<b>Steps: 5</b>

21,5	515	C
22,5	765	C
23,5	1015	C
24,5	1265	C

### model ABOVE GROUND

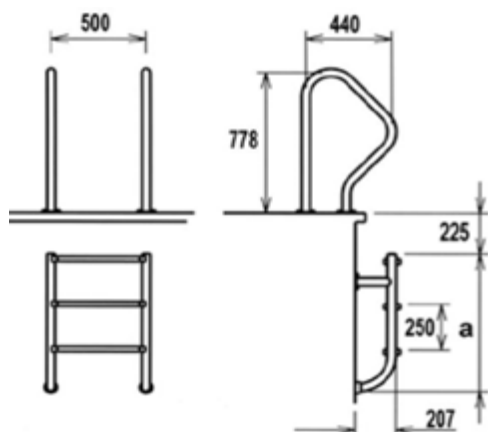
- Manufactured from stainless steel **AISI 304**
- Pipe diameter **Ø40 mm**



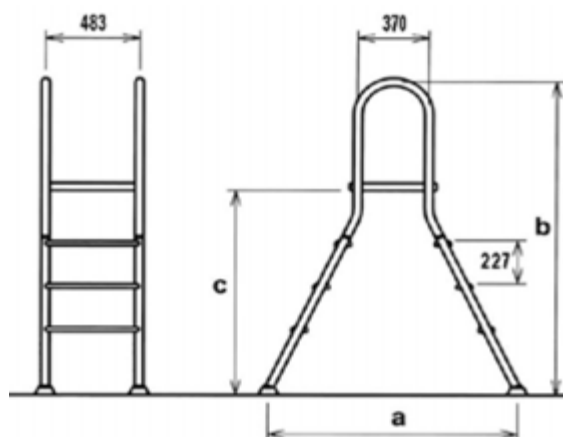
610034	<b>s. 3/3</b>
610035	<b>s. 4/4</b>
610036	<b>s. 5/5</b>

Weight [kg]	a [mm]	b [mm]	c [mm]	Rabat Group
21,5	1155	1670	1065	C
22,5	1350	1900	1295	C
23,5	1545	2130	1525	C











#### ▼ model TWO PIECES



#### ▼ model ABOVE GROUND



## ACCESSORIES TO LADDERS

			<b>Rabat Group</b>
	610018	<b>Escutcheon - AISI 304</b> ■ Units per package: 2	C
	610086	<b>Escutcheon - AISI 316</b> ■ Units per package: 2	C
	610019	<b>Anchor - PVC</b> ■ Units per package: 2	C
	610020	<b>End cap</b> ■ Units per package: 2	C
	610039	<b>Screw with washer - AISI 304</b> ■ Units per package: 10	C
	610021	<b>Anatomic tread</b>	C
	610037	<b>Non-slip tread</b>	C
	610038	<b>Safety double tread</b>	C
	610070	<b>Anchor with flange</b> ■ Units per package: 2	C
	610071	<b>Articulated anchor with flange</b> ■ Units per package: 2	C
	610072	<b>Articulated anchor</b> ■ Units per package: 2	C

**HANDRAILS**

■ Manufactured from stainless steel **AISI 304**

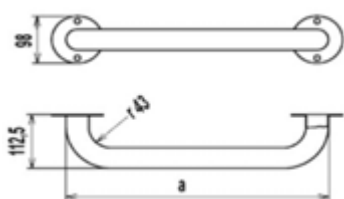
		a [mm]	Weight [kg]	Rabat Group	
	630005	<b>Handrails Ø43 mm - 1,0 m</b>	1000	2,2	C
	630007	<b>Handrails Ø43 mm - 2,0 m</b>	2000	3,4	C
	630008	<b>Handrails Ø43 mm - 3,0 m</b>	3000	4,8	C

■ Manufactured from stainless steel **AISI 316**

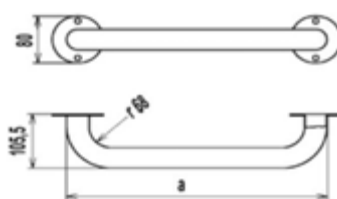
	630014	<b>Handrails Ø35mm - 0,8 m</b>	800	1,1	C
	630015	<b>Handrails Ø35mm - 1,2 m</b>	1200	1,45	C
	630016	<b>Handrails Ø35mm - 1,8 m</b>	1800	2,25	C

■ Manufactured from stainless steel **AISI 304**

▼ **Handrails Ø43 mm**



▼ **Handrails Ø35 mm**



**EXIT HANDRAILS**

■ Manufactured from stainless steel **AISI 316**

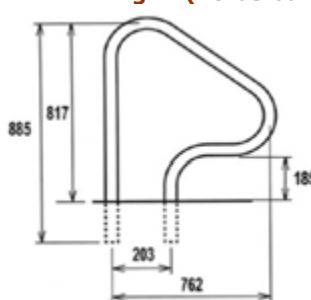
			Weight [kg]	Rabat Group	
	630009	<b>Exit handrails SPA</b>	<b>Fig. 1</b>	4,0	C
	630010	<b>Exit handrails Figure 2</b>	<b>Fig. 2</b>	3,3	C
	630011	<b>Exit handrails FX-01</b>	<b>Fig. 3</b>	4,5	C
	630012	<b>Exit handrails FX-02</b>	<b>Fig. 4</b>	5,1	C
	630013	<b>Exit handrails Two pieces</b>	<b>Fig. 5</b>	7,0	C

■ Manufactured from stainless steel **AISI 304**

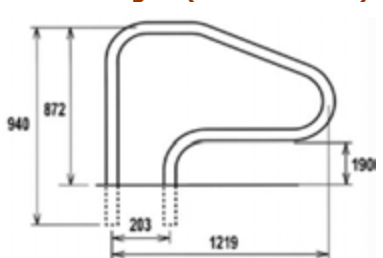
▼ **Fig. 1 (Welded flange)**



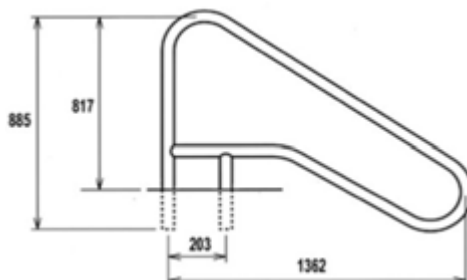
▼ **Fig. 2 (To be built-in)**



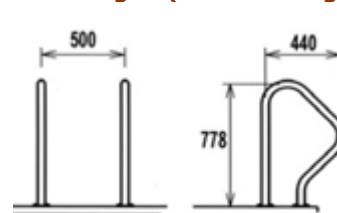
▼ **Fig. 3 (To be built-in)**



▼ **Fig. 4 (To be built-in)**

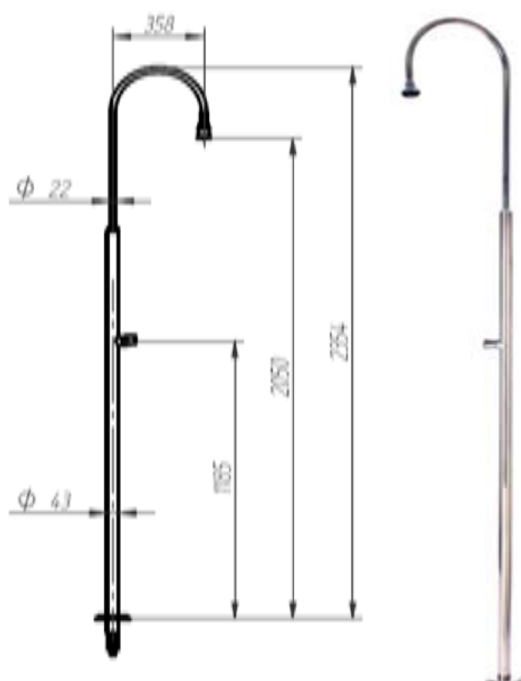


▼ **Fig. 5 (Welded flange)**





## SHOWERS



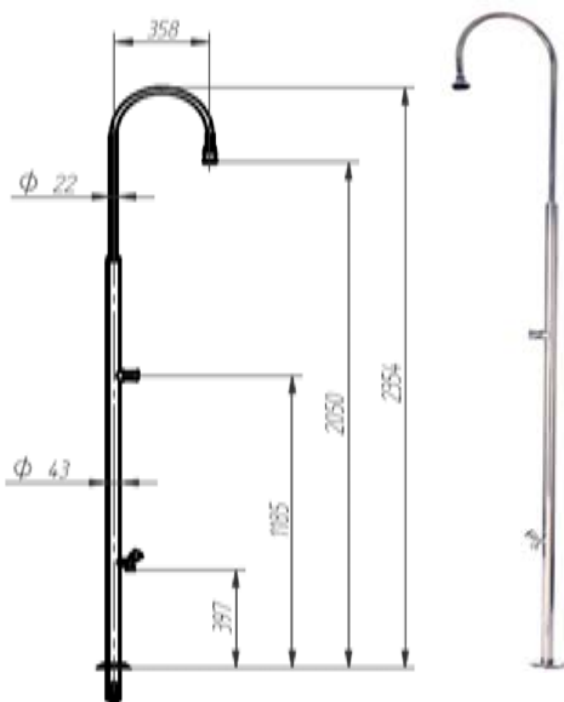
620001

### STANDARD

**Rabat  
Group**

C

- Incl. anchor
- Complete with cold water tap
- Made of stainless steel **AISI 304**
- Water connection **1 1/2"**
- For private pools.



620002

### STANDARD PLUS

**Rabat  
Group**

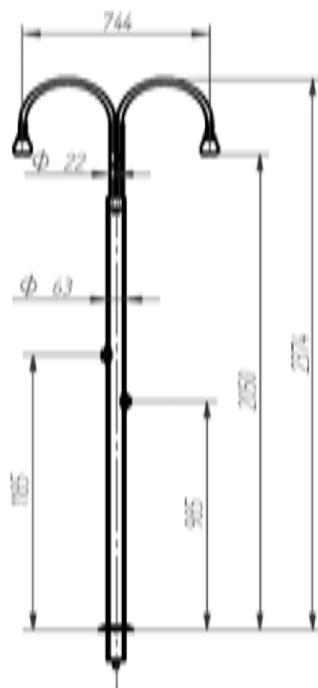
C

- Incl. anchor
- Complete with cold water tap
- Made of stainless steel **AISI 304**
- Water connection **1 1/2"**
- For private pools.
- Foot bath tap



**SHOWERS**

**Rabat Group**



620004

**DOUBLE**

- Complete with cold water tap
- Made of stainless steel **AISI 304**
- Water connection **1½"**
- For private pools.

C



**Rabat Group**

620003

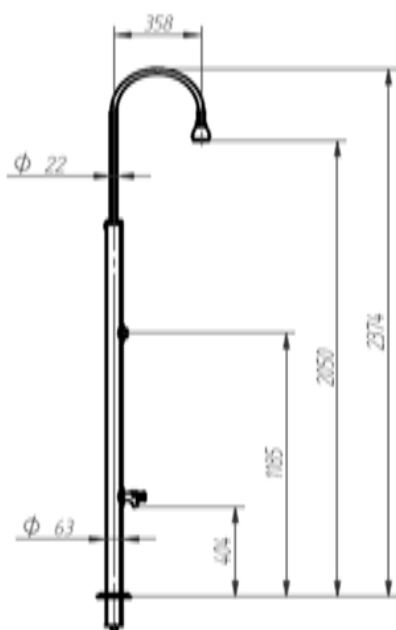
**AUTOMATIC**

- Complete with cold water tap
- Made of stainless steel **AISI 304**
- Water connection **1½"**
- For private pools.
- Mixing battery
- Automatic closure valve

C



**Rabat Group**



610068

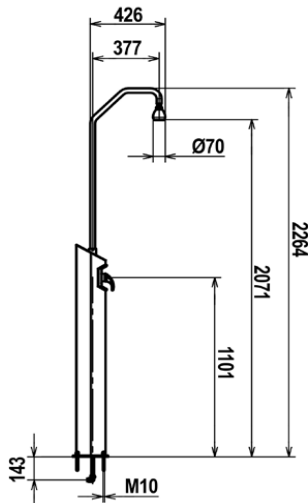
**AUTOMATIC - MIX**

- Complete with cold water tap
- Made of stainless steel **AISI 304**
- Water connection **1½"**
- For private pools.
- Mixing battery
- Automatic closure valve
- With feetwasher

C

**SHOWERS**

**Rabat Group**



620011

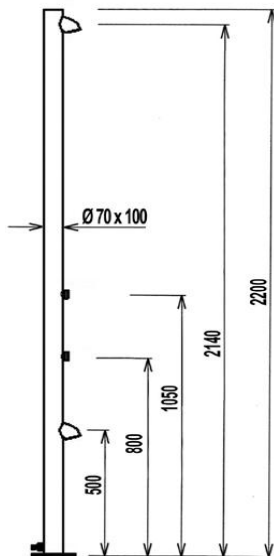
**COLD & HOT WATER WITH MIXING TAP**

C



- Complete with cold water tap
- Made of stainless steel **AISI 304**
- Mixing battery
- Includes screws for assembling
- No anchor needed.

**Rabat Group**



620012

**OVAL WITH FEETWASHER**

C



- Includes screws for assembling
- Made of stainless steel **AISI 304**
- Automatic valve
- Fast connection
- No anchor needed.

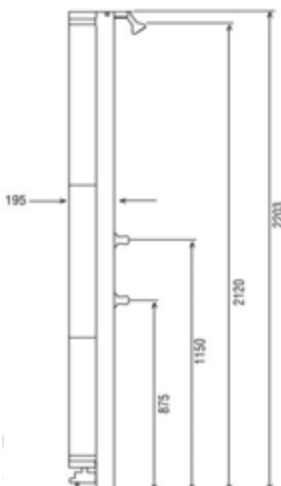
**Rabat Group**

**SOLAR SHOWER**

610069

**SOLAR CEZAR**

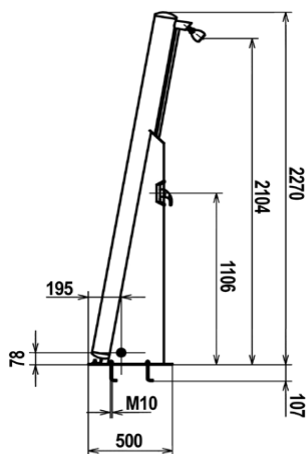
C



- Tank capacity 25 litres.
- Made of stainless steel **AISI 304**
- New design with better stability
- Fast connection
- No anchor needed.
- Warming - up through sunlight

**SOLAR SHOWER**

**Rabat Group**



620013

**SOLAR**

C



- Tank capacity 30 litres.
- Made of stainless steel **AISI 304**
- Mixing battery tap
- Fast connection
- No anchor needed.



610074

**Solar shower - stainless steel**

**Rabat Group**

C

- Tank capacity 20 litres.
- Mixing battery hot / cold
- Variable shower head
- Connection for garden hose

610075

**Spare tank - 20 l**

C

**ACCESSORIES FOR SHOWERS**

620009

**Ø 43**

**Connection for showers**

C



620010

**Ø 63**

**Connection for showers**

C





**SHOWERS INFINITY**

- Made of stainless steel **AISI 304 mirror-polished**
- Valves: Chrome-plated brass
- Backwall: Removable
- Shower head: Revolving
- Water connection: Outside thread 1/2"
- Fixing: 4 dowels M8 x 50 mm, 4 stainless steel-screws M10 x 50



620005

**Infinity 1**

- Cold water with drain cock
- Weight: 9 kg

**Rabat Group**

C

620006

**Infinity 1 plus**

- Mix-battery with drain cock
- Weight: 11 kg

C

620007

**Infinity 2**

- Cold water with drain cock
- Weight: 9 kg

C

620008

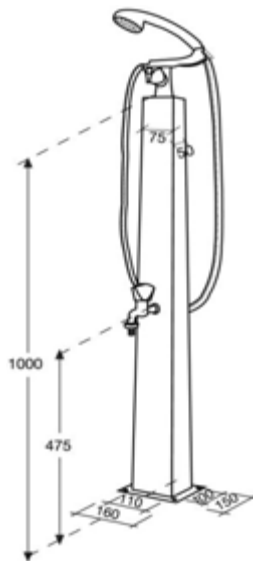
**Infinity 2 PLUS**

- Mix-battery with drain cock
- Weight: 11 kg

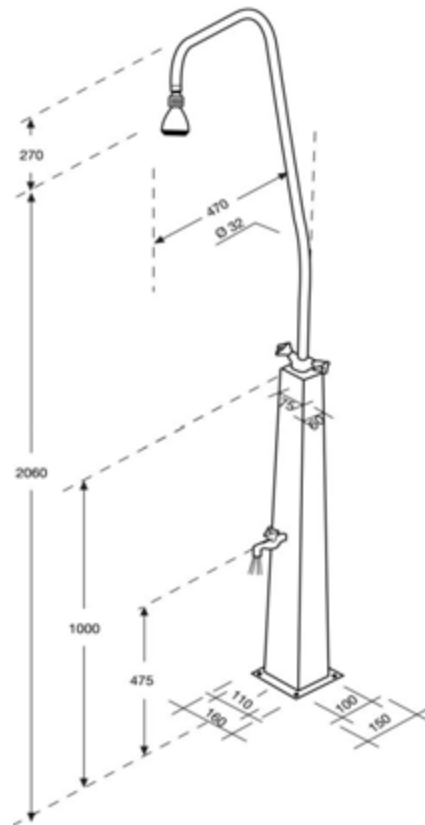
C



▼ **Infinity 1**



▼ **Infinity 1 plus**



**OWERFLOW**

**OWERFLOW GRATINGS CURVE MODULE**



				<b>Rabat Group</b>
540201	<b>20 x 195 mm</b>	Box/380 pcs - 45 units/1 m		C
540202	<b>20 x 245 mm</b>	Box/320 pcs - 45 units/1 m		C
540112	<b>20 x 295 mm</b>	Box/280 pcs - 45 units/1 m		C
540203	<b>34 x 195 mm</b>	Box/380 pcs - 45 units/1 m		C
540204	<b>34 x 245 mm</b>	Box/320 pcs - 45 units/1 m		C
540113	<b>34 x 295 mm</b>	Box/280 pcs - 45 units/1 m		C

**OWERFLOW GRATINGS**



				<b>Rabat Group</b>
540205	<b>20 x 195 mm</b>	Box/380 pcs - 45 units/1 m		C
540206	<b>20 x 245 mm</b>	Box/320 pcs - 45 units/1 m		C
540114	<b>20 x 295 mm</b>	Box/280 pcs - 45 units/1 m		C
540207	<b>34 x 195 mm</b>	Box/380 pcs - 45 units/1 m		C
540208	<b>34 x 245 mm</b>	Box/320 pcs - 45 units/1 m		C
540115	<b>34 x 295 mm</b>	Box/280 pcs - 45 units/1 m		C

**OWERFLOW CORNER 90°**



				<b>Rabat Group</b>
540209	<b>20 x 200 mm</b>			C
540210	<b>20 x 250 mm</b>			C
540116	<b>20 x 300 mm</b>			C
540211	<b>34 x 200 mm</b>			C
540212	<b>34 x 250 mm</b>			C
540117	<b>34 x 300 mm</b>			C

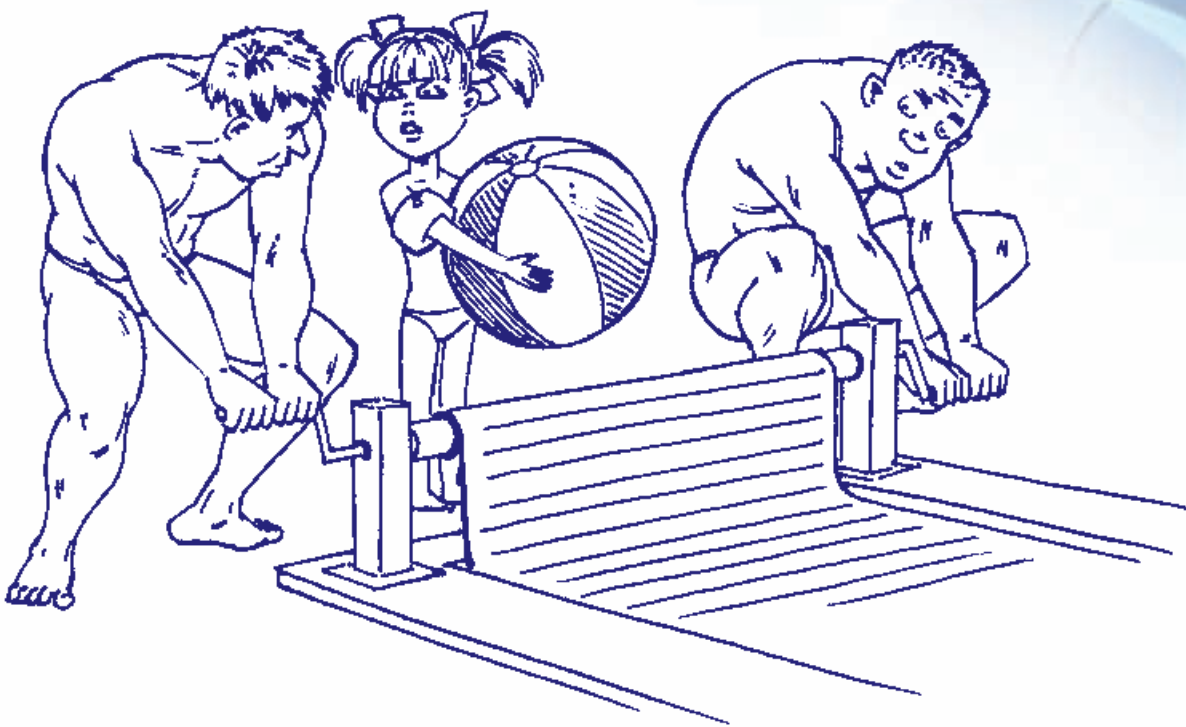
**OVERFLOW CORNER 45°**

		<b>Rabat Group</b>
	540213 <b>20 x 200 mm</b>	C
	540214 <b>20 x 250 mm</b>	C
	540118 <b>20 x 300 mm</b>	C
	540215 <b>34 x 200 mm</b>	C
	540216 <b>34 x 250 mm</b>	C
	540119 <b>34 x 300 mm</b>	C

**OVERFLOW GRATE CHANNEL PROFILE**

		<b>Rabat Group</b>
	540200 <b>Profil 2 m - 1 piece</b>	C

# SWIMMING POOL COVERS





**MANUAL SAFETY LAMELLA COVERS**

**MANU series**

More practical and aesthetically pleasing than rod-mounted covers, the MANU pool cover is an economical solution that sacrifices neither functionality nor safety. Operating handwheel For greater safety the wheel is retractable. Does not damage pool edges. Height-adjustable legs prevent friction on pool edges. The foot can be retracted over the winter period.

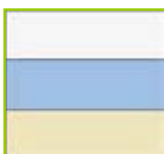
- Pool size: **3x3 to 5x11 m**
- Aluminum-axis Ø 200 mm
- Out of water
- Bare
- Manual feed
- Support loads up to 100 kg

**Supply:** aluminum-axis 200 mm diameter, 2 feet withstand 150 x 220 mm, made of white painted aluminum for gripping axis, converter, control "wheel" - completewinding device without blades.



	Max. pool width:		Rabat Group
461195	<b>3,5 m</b>	set	G
461196	<b>4 m</b>	set	G
461197	<b>4,5 m</b>	set	G
461198	<b>5 m</b>	set	G

Possible later motorize!



				Rabat Group
460101	<b>PVC profile 13/83mm</b>	<b>white</b>	1 m2	G
460102	<b>PVC profile 13/83mm</b>	<b>blue</b>	1 m2	G
460103	<b>PVC profile 13/83mm</b>	<b>sand</b>	1 m2	G
460104	<b>PVC profile 13/83mm</b>	<b>grey</b>	1 m2	G
460105	<b>PVC profile 13/83mm</b>	<b>marble blue</b>	1 m2	G
460106	<b>PVC profile 13/83mm</b>	<b>marble sand</b>	1 m2	G
460107	<b>PVC profile 13/83mm</b>	<b>solar</b>	1 m2	G

**AUTOMATIC SAFETY LAMELLA COVERS**

**OPEN ONE series**

More practical and aesthetically pleasing than rod-mounted covers. The cover opens and closes in just 3 minutes with one turn of the key. The stop positions are all adjusted and managed together. Does not damage pool edges. Height-adjustable legs prevent friction on pool edges. The motor is located in the rotor shaft. Close it and forget it. There is no need for constant supervision once the cover is unrolled.

- Pool size: **3x3 to 5x11 m**
- Aluminum-axis Ø 200 mm
- Out of water
- Bare
- Axial motor
- 24/12 V from mains
- Support loads up to 100 kg

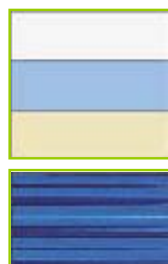
**Supply:** aluminum-axis 200 mm diameter, 2 feet with stand 150 x 220 mm, made of white painted aluminum to attach an axis, the engine built in the axis 24, 230V/24V transformer, three-way control key built in the leg - complete winding device without blades.



**Max. pool width:**

460105	<b>3,5 m</b>
460106	<b>4 m</b>
460107	<b>4,5 m</b>
460108	<b>5 m</b>
460109	<b>5,5 m</b>
460110	<b>6 m</b>

<b>Rabat Group</b>	
set	G
set	G
set	G
set	G
set	G
set	G



460101	<b>PVC profile 13/83mm</b>	<b>white</b>	1 m2	G
460102	<b>PVC profile 13/83mm</b>	<b>blue</b>	1 m2	G
460103	<b>PVC profile 13/83mm</b>	<b>sand</b>	1 m2	G
460104	<b>PVC profile 13/83mm</b>	<b>grey</b>	1 m2	G
460105	<b>PVC profile 13/83mm</b>	<b>marble blue</b>	1 m2	G
460106	<b>PVC profile 13/83mm</b>	<b>marble sand</b>	1 m2	G
460107	<b>PVC profile 13/83mm</b>	<b>solar</b>	1 m2	G

**Rabat Group**

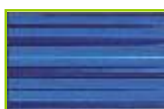
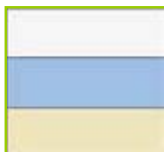
**OPEN CLASSIC series**

More practical and aesthetically pleasing than rod-mounted covers. The cover opens and closes in just 3 minutes with one turn of the key. The stop positions are all adjusted and managed together. Does not damage pool edges. Height-adjustable legs prevent friction on pool edges. The motor is located in the rotor shaft. Close it and forget it. There is no need for constant supervision once the cover is unrolled.

- Pool size: **3x3 to 7,5x15 m**
- Out of water
- Bare
- Axial motor
- 24/12 V from mains
- Support loads up to 100 kg

**Supply:** aluminum-axis 200 mm diameter, 2 feet with stand 150 x 220 mm, made of white painted aluminum to attach an axis, the engine built in the axis 24, 230V/24V transformer, three-way control key built in the leg - complete winding device without blades.

	Max. pool width:		Rabat Group
	460195	<b>3,5 m</b>	set G
	460196	<b>4 m</b>	set G
	460197	<b>4,5 m</b>	set G
	460198	<b>5 m</b>	set G
	460199	<b>5,5 m</b>	set G
	460200	<b>6 m</b>	set G
	460201	<b>7 m</b>	set G
	460202	<b>7,5 m</b>	set G



				Rabat Group
460101	<b>PVC profile 13/83mm</b>	<b>white</b>	1 m2	G
460102	<b>PVC profile 13/83mm</b>	<b>blue</b>	1 m2	G
460103	<b>PVC profile 13/83mm</b>	<b>sand</b>	1 m2	G
460104	<b>PVC profile 13/83mm</b>	<b>grey</b>	1 m2	G
460105	<b>PVC profile 13/83mm</b>	<b>marble blue</b>	1 m2	G
460106	<b>PVC profile 13/83mm</b>	<b>marble sand</b>	1 m2	G
460107	<b>PVC profile 13/83mm</b>	<b>solar</b>	1 m2	G

### SOLAR ENERGY series

Can run for up to 40 cycles (on the 4x8 model) in the event of total darkness, while keeping one safety cycle. Solar Energy's mechanism is friction-driven and can be switched to manual mode at any time to make the pool safe. The cover opens and closes in just 3 minutes with one turn of the key. The stop positions are all adjusted and managed together. Close it and forget it. There is no need for constant supervision once the cover is unrolled. For greater safety, an alarm sounds when the batteries run low, indicating that one more full open/close cycle is left. Just 5 hours of sunshine per day is enough for it to run properly. The motor is located in the rotor shaft. The base can be retracted in the winter.

- Pool size: **3x3 to 10x25 m**
- Out of water
- Bare
- Axial motor
- Solar power
- Support loads up to 100 kg



#### Max. pool width:

460119	<b>3,5 m</b>
460120	<b>4,0 m</b>
460121	<b>4,5 m</b>
460122	<b>5,0 m</b>
460123	<b>5,5 m</b>
460124	<b>6,0 m</b>
460125	<b>7,0 m</b>
460126	<b>7,5 m</b>

#### Rabat Group

G  
G  
G  
G  
G  
G  
G  
G



				Rabat Group
460101	<b>PVC profile 13/83mm</b>	<b>white</b>	1 m2	G
460102	<b>PVC profile 13/83mm</b>	<b>blue</b>	1 m2	G
460103	<b>PVC profile 13/83mm</b>	<b>sand</b>	1 m2	G
460104	<b>PVC profile 13/83mm</b>	<b>grey</b>	1 m2	G
460105	<b>PVC profile 13/83mm</b>	<b>marble blue</b>	1 m2	G
460106	<b>PVC profile 13/83mm</b>	<b>marble sand</b>	1 m2	G
460107	<b>PVC profile 13/83mm</b>	<b>solar</b>	1 m2	G

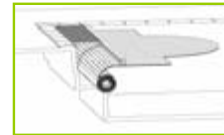


**AUTOMATIC UNDERWATER SAFETY LAMELLA COVERS**

**IMM ´ BOX series**

Special high tech materials providing complete corrosion resistance (limited to pools of a surface area 5x11m)  
5-year anti-corrosion guarantee for mechanical parts  
(See terms and conditions at your sales centre)  
The cover opens and closes in just 3 minutes with one turn  
positions are all adjusted and managed together. Close it and forget it. There is no need for constant supervision once the cover is unrolled. It can send information on its status to the water treatment equipment to make adjustments.

- Pool size: **3x3 to 10x25 m**
- Submerged
- Motor in dry housing
- 24/12 V from mains
- Support loads up to 100 kg

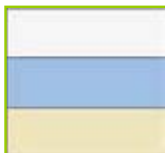
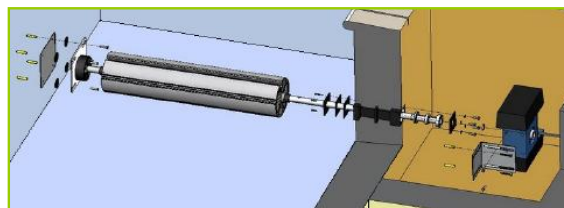


	<b>Pool size:</b>		<b>Rabat Group</b>
460001	<b>4 x 12 m</b>	set	G
460002	<b>4 x 12 - 25 m</b>	set	G
460003	<b>4,5 x 10 m</b>	set	G
460004	<b>4,5 x 10 - 25 m</b>	set	G
460005	<b>5 x 25 m</b>	set	G
460006	<b>5,5 x 23 m</b>	set	G
460007	<b>6 x 20 m</b>	set	G
460008	<b>7 x 16 m</b>	set	G
460009	<b>7,5 x 15 m</b>	set	G

**BUILT IN - COMPONENTS**



- |        |   |   |
|--------|---|---|
| 460073 | <b>Wall penetration to the motor, 220 mm long</b> | G |
| 460074 | <b>Wall penetration to the motor, 100 mm long</b> | G |
| 460074 | <b>Complete set of embedded parts</b>             | G |





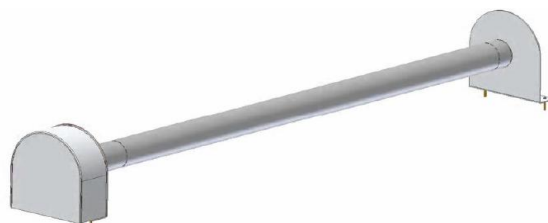
				<b>Rabat Group</b>
460101	<b>PVC profile 13/83mm</b>	<b>white</b>	1 m2	G
460102	<b>PVC profile 13/83mm</b>	<b>blue</b>	1 m2	G
460103	<b>PVC profile 13/83mm</b>	<b>sand</b>	1 m2	G
460104	<b>PVC profile 13/83mm</b>	<b>grey</b>	1 m2	G
460105	<b>PVC profile 13/83mm</b>	<b>marble blue</b>	1 m2	G
460106	<b>PVC profile 13/83mm</b>	<b>marble sand</b>	1 m2	G
460107	<b>PVC profile 13/83mm</b>	<b>solar</b>	1 m2	G

**AUTOMATIC SAFETY LAMELLA COVERS  
OVER WATER REEL SYSTEMS**

**SATURN series - lamellas 9/50 mm**

dia stainless steel. 24 V motor for cover drive with install electronics and with end switches, control key switch, transformer 230/24V

	Pool size:		Rabat Group
	460301	<b>3,0 x 12,0 m</b>	set G
	460302	<b>3,5 x 12,0 m</b>	set G
	460303	<b>4,0 x 12,0 m</b>	set G
	460304	<b>4,5 x 12,0 m</b>	set G
	460305	<b>5,0 x 12,0 m</b>	set G
	460306	<b>5,5 x 12,0 m</b>	set G
	460307	<b>6,0 x 12,0 m</b>	set G
	460392	<b>7,0 x 15,0 m</b>	set G
	460393	<b>8,0 x 15,0 m</b>	set G
	460308	<b>non standard size</b>	set G



**LAMELLAS**

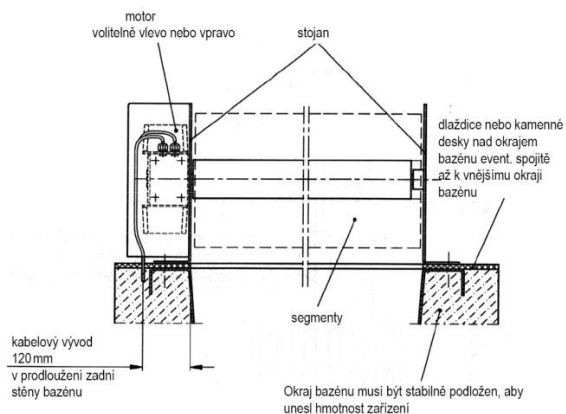
PVC lamellas, dimensions 9/50 mm, colour - light blue, light grey, white. Price €/1 m2



460309 PVC profile 9/50

1 m2 G

Rabat Group



### PLUTO series - lamellas 9/50 mm

Aluminium bearing bracket with plastic box for dia putting, with white surface form, dia stainless steel. 24 V motor for cover drive with install electronics and with end switches, control key switch, transformer 230/24 V.

	Pool size:		Rabat Group
460310	<b>3,0 x 12,0 m</b>	set	G
460311	<b>3,5 x 12,0 m</b>	set	G
460312	<b>4,0 x 12,0 m</b>	set	G
460313	<b>4,5 x 12,0 m</b>	set	G
460314	<b>5,0 x 12,0 m</b>	set	G
460315	<b>5,5 x 12,0 m</b>	set	G
460316	<b>6,0 x 12,0 m</b>	set	G
460317	<b>7,0 X 15,0 m</b>	set	G
460394	<b>8,0 x 15,0 m</b>	set	G
460318	<b>non standard size</b>	set	G



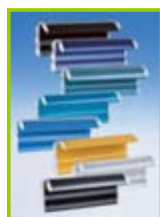
### LAMELLAS

**PVC lamellas**, dimensions 13/60 mm, colour - light blue, light grey, white, translucent, solar (translucent, black). Price €/1 m<sup>2</sup>



				Rabat Group
460319	<b>PVC profile 13/60</b>	<b>(white, blue, grey)</b>	1 m <sup>2</sup>	G
460320	<b>PVC profile 13/60</b>	<b>(translucent)</b>	1 m <sup>2</sup>	G
460321	<b>PVC profile 13/60</b>	<b>(solar)</b>	1 m <sup>2</sup>	G
460322	<b>PVC profile 15/80</b>	<b>(white, blue, grey)</b>	1 m <sup>2</sup>	G
460323	<b>PVC profile 15/80</b>	<b>(translucent)</b>	1 m <sup>2</sup>	G
460324	<b>PVC profile 15/80</b>	<b>(solar)</b>	1 m <sup>2</sup>	G

**POLYCARBONAT lamellas**, dimensions 13/60 mm, colour - translucent, solar(translucent/black), steel blue, (translucent/blue), other colours on favour, price €/ 1 m<sup>2</sup>.

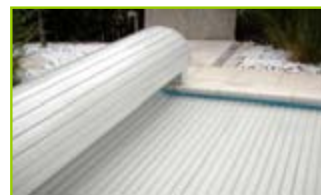


460358	<b>POLYCARBONAT profile 13/60</b>		1 m <sup>2</sup>	G
	translucent			
460359	<b>POLYCARBONAT profile 13/60</b>		1 m <sup>2</sup>	G
	solar (translucent/black)			
460360	<b>POLYCARBONAT profile 13/60</b>		1 m <sup>2</sup>	G
	steel blue (translucent/blue)			
460361	<b>POLYCARBONAT profile 13/60</b>		1 m <sup>2</sup>	G
	non standard colour, choice of RAL			
460362	<b>POLYCARBONAT profile 13/60</b>		1 m <sup>2</sup>	G
	azuro blue			

**COVERS FOR OWER-WATER REEL SYSTEMS**

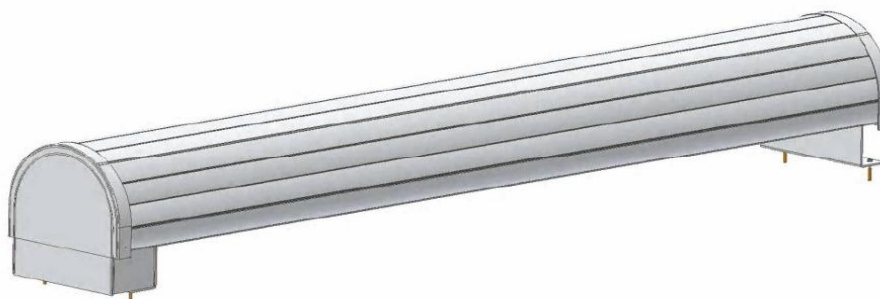
**ALUMINIUM COVER**

Covers are made from aluminium foamed PU in amplify form, with end lids - rivet, white surface form, Max. load: 40 kg, half-circular design  
The middle bracket has been to used up 5,5 m.



				<b>Rabat Group</b>
460363	<b>Max. pool dimension:</b>	<b>5,0 x 12,0 m</b>	1 m	G
460364	<b>Max. pool dimension:</b>	<b>7,0 x 15,0 m</b>	1 m	G
460365	<b>Non standard size</b>		1 m	G

**Other colours RAL on favour (supplementary charge)**



**Placing of ower-water reel system**



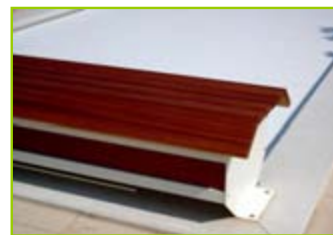


## SITTING BENCH - MADE OF HARD WOOD

Covers made as sitting bench of SIPO-hard wood, screws of stainless steel.  
 Max: load: 200 kg, made as self-carrying without middle bracket

The price consists of: separated seat, backside, front plate - there is the possibility combine with other materials.

The middle bracket has been to used up 7,0 m.

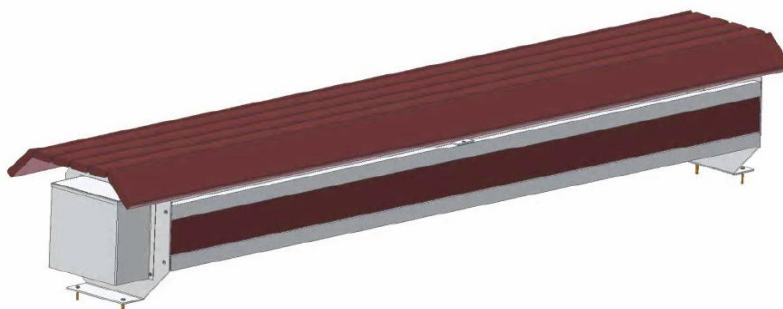


### SEPARATED SEAT

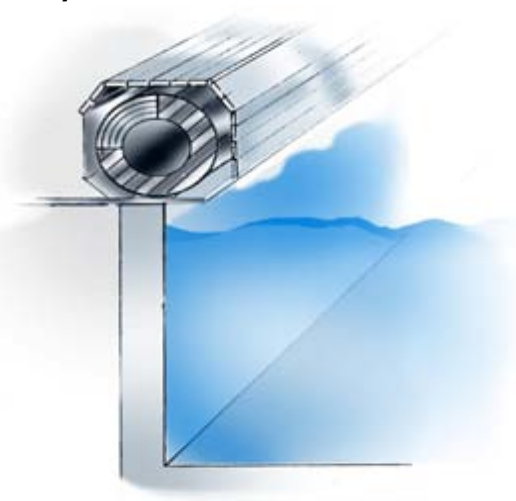
				Rabat Group
460366	<b>Max. pool dimension:</b>	<b>5,0 x 12,0 m</b>	1 m	G
460367	<b>Max. pool dimension:</b>	<b>7,0 x 15,0 m</b>	1 m	G
460374	<b>Non standard size</b>		1 m	G

### BACKSIDE AND FRONT PLATE

				Rabat Group
460368	<b>Max. pool dimension:</b>	<b>5,0 x 12,0 m</b>	1 m	G
460369	<b>Max. pool dimension:</b>	<b>7,0 x 15,0 m</b>	1 m	G
460375	<b>Non standard size</b>		1 m	G



Placing of over-water reel system



**SITTING BENCH - MADE OF PVC**

Covers made as sitting bench of PVC profile, inclusive of endings, white design, screws of stainless steel.  
Max: load: 200 kg, made as self-carrying without middle bracket

The price consists of: separated seat, backside, front plate - there is the possibility combine with other materials.

The middle bracket has been to used up 7,0 m.

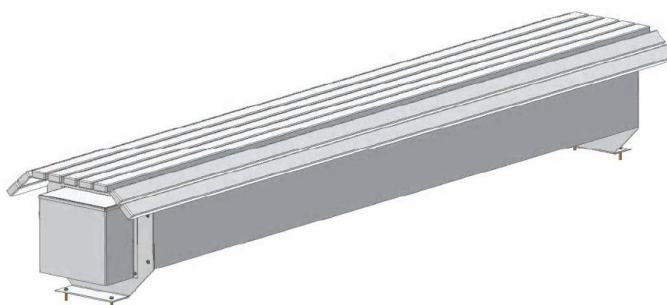


**SEPARATED SEAT**

				<b>Rabat Group</b>
460370	<b>Max. pool dimension:</b>	<b>5,0 x 12,0 m</b>	1 m	G
460371	<b>Max. pool dimension:</b>	<b>7,0 x 15,0 m</b>	1 m	G
460374	<b>Non standard size</b>		1 m	G

**BACKSIDE AND FRONT PLATE**

				<b>Rabat Group</b>
460372	<b>Max. pool dimension:</b>	<b>5,0 x 12,0 m</b>	1 m	G
460373	<b>Max. pool dimension:</b>	<b>7,0 x 15,0 m</b>	1 m	G
460375	<b>Non standard size</b>		1 m	G

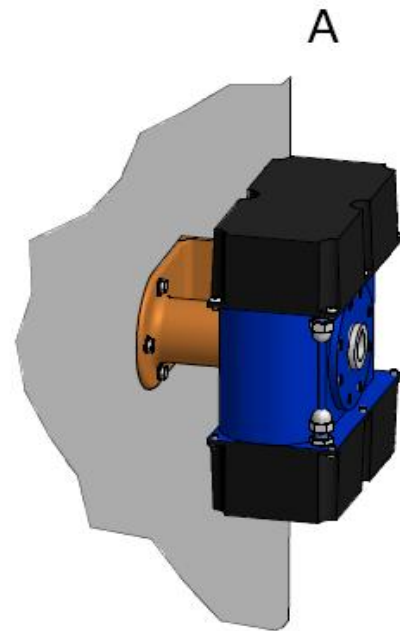
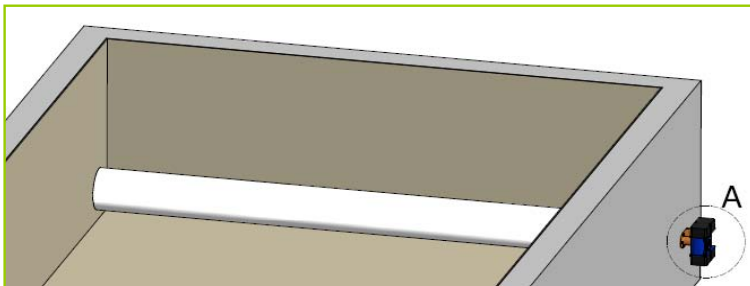


Placing of over-water reel system



**UNDER-WATER REEL SYSTEMS**

**Rewinder - underground system with slide ring seal and external drive with lateral engine shaft or passable shaft**

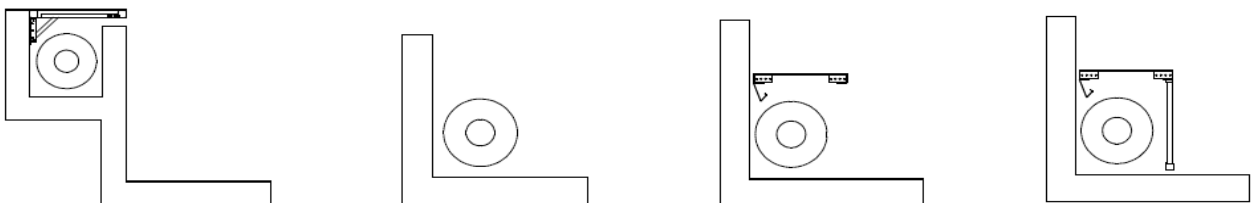


Bearing flange for stainless steel shaft and drive with plastic bearing, set of seals with adjusting ring, linkage  
Stainless steel shaft with stainless steel bearing pin and adjusting ring, electric drive 24V DC, optionally with interior or exterior electronics and indicator lamps for malfunction source. Impulse end switch (RSC), plug connector for remote control pre-installed.  
Transformer 230/24V with illuminated display.  
Control switch on-wall or in-wall.  
Drive unit maintenance-free.  
Up to a pool length of max. 15 m (special size on request)

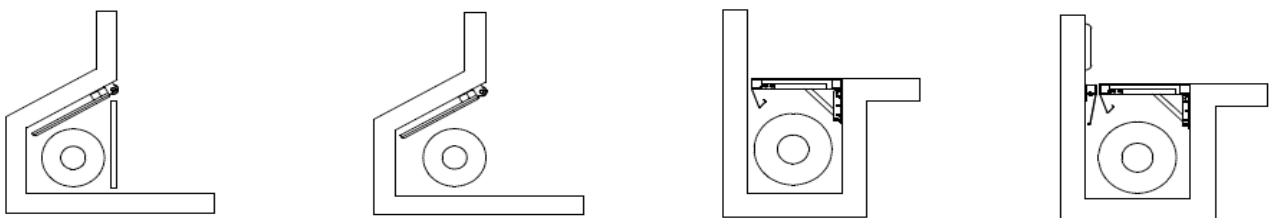
**Standard pre-installation parts to be set in concrete or for installation at a later date.**

POM (polyoxymethylene) gliders are necessary for the niched rolling shutter in the extension of the pool bottom. One pool glider is necessary per current meter of the pool brodbness.

**Installation options with lateral engine shaft**



**Installation options with passable shaft**



### JUPITER series - lamellas 9/50 mm

Set of seals with bearing unit and with contra bearing, plastic box for dia putting, dia stainless steel, unit box. 24 V motor for cover drive with install electronics and with end switches, control key switch, transformer 230/24 V.



				<b>Rabat Group</b>
460322	<b>Max. pool dimension:</b>	<b>3,0 x 12,0 m</b>	set	G
460323	<b>Max. pool dimension:</b>	<b>3,5 x 12,0 m</b>	set	G
460324	<b>Max. pool dimension:</b>	<b>4,0 x 12,0 m</b>	set	G
460325	<b>Max. pool dimension:</b>	<b>4,5 x 12,0 m</b>	set	G
460326	<b>Max. pool dimension:</b>	<b>5,0 x 12,0 m</b>	set	G
460327	<b>Max. pool dimension:</b>	<b>5,5 x 12,0 m</b>	set	G
460328	<b>Max. pool dimension:</b>	<b>6,0 x 12,0 m</b>	set	G
460392	<b>Max. pool dimension:</b>	<b>7,0 x 15,0 m</b>	set	G
460393	<b>Max. pool dimension:</b>	<b>8,0 x 15,0 m</b>	set	G
460329	<b>Max. pool dimension:</b>	<b>non standard size</b>	set	G

### LAMELLAS

PVC lamellas, dimensions 9/50 mm, colour - light blue, light grey, white. Price €/1 m<sup>2</sup>



460309	<b>PVC profile 9/50</b>	1 m <sup>2</sup>	G
--------	-------------------------	------------------	---





## URAN series - lamellas 13/60 mm

Set of seals with bearing unit and with contra bearing, plastic box for dia putting, dia stainless steel, unit box. 24 V motor for cover drive with install electronics and with end switches, control key switch, transformer 230/24 V.



				<b>Rabat Group</b>
460340	<b>Max. pool dimension:</b>	<b>3,0 x 12,0 m</b>	set	G
460341	<b>Max. pool dimension:</b>	<b>3,5 x 12,0 m</b>	set	G
460342	<b>Max. pool dimension:</b>	<b>4,0 x 12,0 m</b>	set	G
460343	<b>Max. pool dimension:</b>	<b>4,5 x 12,0 m</b>	set	G
460344	<b>Max. pool dimension:</b>	<b>5,0 x 12,0 m</b>	set	G
460345	<b>Max. pool dimension:</b>	<b>5,5 x 12,0 m</b>	set	G
460346	<b>Max. pool dimension:</b>	<b>6,0 x 12,0 m</b>	set	G
460347	<b>Max. pool dimension:</b>	<b>7,0 X 15,0 m</b>	set	G
460394	<b>Max. pool dimension:</b>	<b>8,0 x 15,0 m</b>	set	G
460348	<b>Max. pool dimension:</b>	<b>non standard size</b>	set	G

## LAMELLAS

**PVC lamellas**, dimensions 13/60 mm, colour - light blue, light grey, white, translucent, solar (translucent, black). Price €/1 m<sup>2</sup>

460319	<b>PVC profile 13/60</b>	<b>(white, blue, grey)</b>	1 m <sup>2</sup>	G
460320	<b>PVC profile 13/60</b>	<b>(translucent)</b>	1 m <sup>2</sup>	G
460321	<b>PVC profile 13/60</b>	<b>(solar)</b>	1 m <sup>2</sup>	G
460322	<b>PVC profile 15/80</b>	<b>(white, blue, grey)</b>	1 m <sup>2</sup>	G
460323	<b>PVC profile 15/80</b>	<b>(translucent)</b>	1 m <sup>2</sup>	G
460324	<b>PVC profile 15/80</b>	<b>(solar)</b>	1 m <sup>2</sup>	G

**POLYCARBONAT lamellas**, dimensions 13/60 mm, colour - translucent, solar(translucent/black), steel blue, (translucent/blue), other colours on favour, price €/ 1 m<sup>2</sup>.

460358	<b>POLYCARBONAT profile 13/60</b>		1 m <sup>2</sup>	G
	translucent			
460359	<b>POLYCARBONAT profile 13/60</b>		1 m <sup>2</sup>	G
	solar (translucent/black)			
460360	<b>POLYCARBONAT profile 13/60</b>		1 m <sup>2</sup>	G
	steel blue (translucent/blue)			
460361	<b>POLYCARBONAT profile 13/60</b>		1 m <sup>2</sup>	G
	non standard colour, choice of RAL			
460362	<b>POLYCARBONAT profile 13/60</b>		1 m <sup>2</sup>	G
	azuro blue			

### STANDARD PRE-INSTALLATION PARTS

**Rewinder - underground system with slide ring seal and external drive with lateral engine shaft**

#### For concrete and liner pools

**Rabat Group**

460395 **Cast wall penetration, cast counter bearing**  
to be concreted in, with mounting bearing



**for wall thickness 24/25 cm**  
**for wall thickness 30 cm**

G  
G

460396 **For installation at a later date tapping drill hole**  
2 stainless steel flanges with 4 stud bolts and mounting material



G

#### For stainless steels pools

460397 **Pre-installation flange for drive side to be welded in**  
with 6 stud bolts on both sides, pre-installation flange for counter bearing to welded in with 4 stud bolt



G

460398 **Should the stainless steel pool be filled from behind**  
with concrete a stainless steel tube  $\varnothing$  54mm for the motor is welded into the pre-installation flange

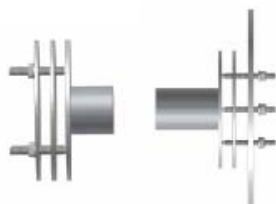


G

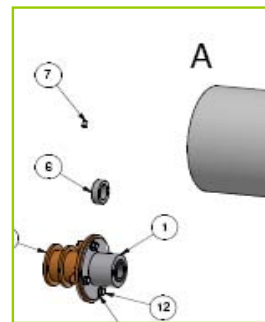
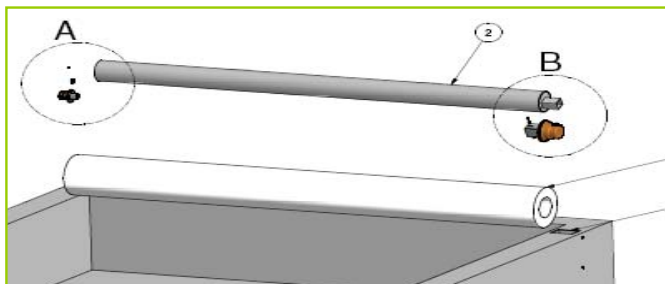
#### For plastis pools

in the area of the shaft fastening, reinforcements worked in by the pool manufacturer.

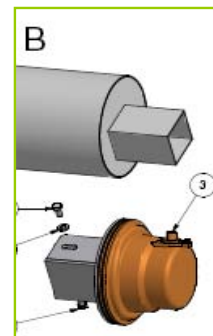
460399 **Stainless steel flanges with stud bolts directly welded on :** G  
the seal flange and/or counter bearing (are included in the system price) incl. reinforcement flanges, seal and mounting material



**Rewinder - underground system with direct drive (RSP) direct wall installation (no motor shaft necessary) alternatively to be mounted**



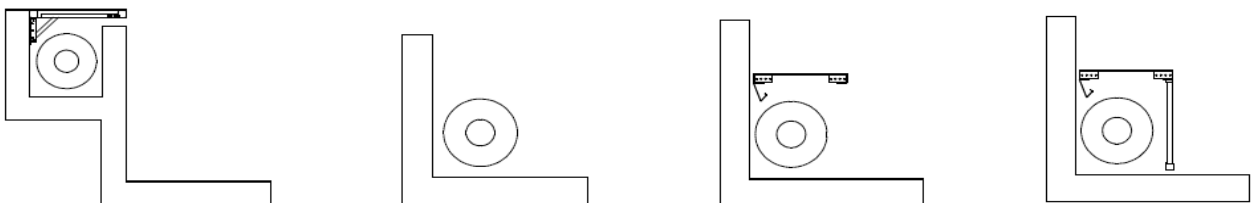
Bearing flange for stainless steel shaft, plastic bearings, electric drive RSP 34 V DC and impulse end switch with sealed in 3 m cable (special lengths on request), carrier plate with nut, VA stainless steel shaft with bearing pins. Please note: The running of the cable as from the end of the drive (after 4m) and including the connector necessary is to be guaranteed for by the custome. Impulse control in transformer 230/24V with illuminated display, overload protection, control switch on-wall or in-wall Indicator lamps for malfunction source Plug connector for remote control pre-installed. Drive unit maintenance - free. Up to a pool length of max. 15,0 m (special sizes on requested)



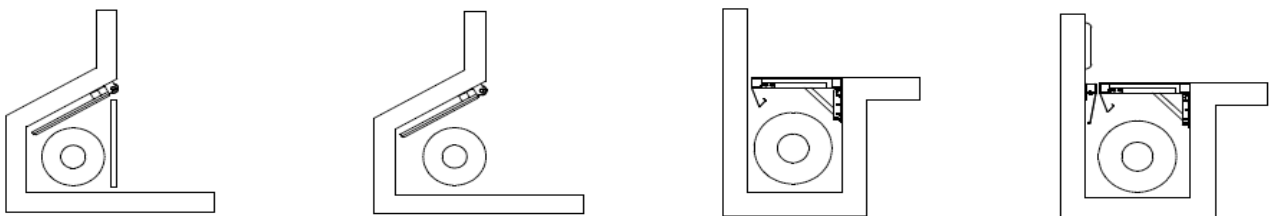
**Standard pre-installation parts to be concreted in or for installation at a later date for RSP.**

POM (polyoxymethylene) gliders are necessary for the niched rolling shutter in the extension of the pool bottom.

**Installation options with lateral engine shaft**



**Installation options with passable shaft**



**MARS series - lamellas 9/50 mm**

Motor over-water surface with chaine transmission and with plastic box for dia putting, dia stainless steel, unit box. 24 V motor for cover drive with install electronics and with end switches, control key switch, transformer 230/240 V.



				<b>Rabat Group</b>
460331	<b>Max. pool dimension:</b>	<b>3,0 x 12,0 m</b>	set	G
460332	<b>Max. pool dimension:</b>	<b>3,5 x 12,0 m</b>	set	G
460333	<b>Max. pool dimension:</b>	<b>4,0 x 12,0 m</b>	set	G
460334	<b>Max. pool dimension:</b>	<b>4,5 x 12,0 m</b>	set	G
460335	<b>Max. pool dimension:</b>	<b>5,0 x 12,0 m</b>	set	G
460336	<b>Max. pool dimension:</b>	<b>5,5 x 12,0 m</b>	set	G
460337	<b>Max. pool dimension:</b>	<b>6,0 x 12,0 m</b>	set	G
460300	<b>Max. pool dimension:</b>	<b>7,0 x 15,0 m</b>	set	G
460299	<b>Max. pool dimension:</b>	<b>8,0 x 15,0 m</b>	set	G
460338	<b>Max. pool dimension:</b>	<b>non standard size</b>	set	G

**LAMELLAS**

PVC lamellas, dimensions 9/50 mm, colour - light blue, light grey, white. Price €/1 m2

460309	<b>PVC profile 9/50</b>	1 m2	G
--------	-------------------------	------	---





## VENUS series - lamellas 13/60 mm

Motor over-water surface with chaine transmission and with plastic box for dia putting, dia stainless steel, unit box. 24 V motor for cover drive with install electronics and with end switches, control key switch, transformer 230/240 V.



					Rabat Group
460349	<b>Max. pool dimension:</b>	<b>3,0 x 12,0 m</b>	set		G
460350	<b>Max. pool dimension:</b>	<b>3,5 x 12,0 m</b>	set		G
460351	<b>Max. pool dimension:</b>	<b>4,0 x 12,0 m</b>	set		G
460352	<b>Max. pool dimension:</b>	<b>4,5 x 12,0 m</b>	set		G
460353	<b>Max. pool dimension:</b>	<b>5,0 x 12,0 m</b>	set		G
460354	<b>Max. pool dimension:</b>	<b>5,5 x 12,0 m</b>	set		G
460355	<b>Max. pool dimension:</b>	<b>6,0 x 12,0 m</b>	set		G
460356	<b>Max. pool dimension:</b>	<b>7,0 X 15,0 m</b>	set		G
460298	<b>Max. pool dimension:</b>	<b>8,0 x 15,0 m</b>	set		G
460357	<b>Max. pool dimension:</b>	<b>non standard size</b>	set		G

## LAMELLAS

**PVC lamellas**, dimensions 13/60 mm, colour - light blue, light grey, white, translucent, solar (translucent, black). Price €/1 m2

					Rabat Group
460319	<b>PVC profile 13/60</b>	<b>(white, blue, grey)</b>	1 m2		G
460320	<b>PVC profile 13/60</b>	<b>(translucent)</b>	1 m2		G
460321	<b>PVC profile 13/60</b>	<b>(solar)</b>	1 m2		G
460322	<b>PVC profile 15/80</b>	<b>(white, blue, grey)</b>	1 m2		G
460323	<b>PVC profile 15/80</b>	<b>(translucent)</b>	1 m2		G
460324	<b>PVC profile 15/80</b>	<b>(solar)</b>	1 m2		G

**POLYCARBONAT lamellas**, dimensions 13/ mm, colour - translucent, solar(translucent/black), steel blue, (translucent/blue), other colours on favour, price €/ 1 m2.

					Rabat Group
460358	<b>POLYCARBONAT profile 13/60</b>	translucent	1 m2		G
460359	<b>POLYCARBONAT profile 13/60</b>	solar (translucent/black)	1 m2		G
460360	<b>POLYCARBONAT profile 13/60</b>	steel blue (translucent/blue)	1 m2		G
460361	<b>POLYCARBONAT profile 13/60</b>	non standard colour, choice of RAL	1 m2		G
460362	<b>POLYCARBONAT profile 13/60</b>	azuro blue	1 m2		G

### STANDARD PRE-INSTALLATION PARTS

Rewinder - underground system with direct drive (RSP)  
direct wall installation (no motor shaft necessary)

#### For concrete and liner pools iwth and without inner sealing

**Rabat  
Group**

460297 **Installation set for direct drive to be concreted in,**  
for new constructions and reconstruction  
counter bearing, pre-installation flange, installation  
pot and connector with flexible calbe

G



460296 **for subsequent installation with tapping drill hole**  
stainless steel flange with stud bolts, tube supports,  
counter bearing and fastner

G



460295 **(on request) to be mounted with side plates for**  
subsequent installation, size of steel plate depnedent  
on depth of pool (as from a shaft installation depth  
of 800 m)

G



#### For stainless steels pools

460294 **Pre-installation flange to be welded in with tube supports**  
and 3 m flexible cable incl. connecto, counter bearing to  
be welded in (included in system price)

G



#### For plastis pools

460293 **Pre-installation flange with stud bolts, tube supportsand**  
3 m flexible, counter bearing (included in system price)  
for direct installation in pool

G



## MANUAL COVER ROLLERS

### COMPLETE STAINLESS STEEL REEL SYSTEM

#### (with telescopic tube)

This type of complete stainless steel reel system with telescopic tube is produced in three modifications: fixed installation, portable and mobile (wheels added).

Stands are made of polished stainless steel with plastic parts. Telescopic tube is made of eloxed aluminium. The package includes all components to fixing the cover, straps and reel telescopic tube.

Complete reel system with telescopic tube contains: stainless steel stands, telescopic tube, set of straps and catches to fasten the solar cover and safety catch to prevent the rolled up cover unwind.



### COMPLETE STAINLESS STEEL REEL SYSTEM FIXED WITH TELESCOPIC TUBE



460400 **CORFU** 2,6 - 4,3 m

460401 **CORFU** 4,1 - 5,7 m

460402 **CORFU** 5,3 - 6,9 m

**Rabat  
Group**

A

A

A



**Rabat  
Group**

460420 **CORFU - ADJUSTABLE** 2,6 - 4,3 m

460421 **CORFU - ADJUSTABLE** 4,1 - 5,7 m

460422 **CORFU - ADJUSTABLE** 5,3 - 6,9 m

A

A

A



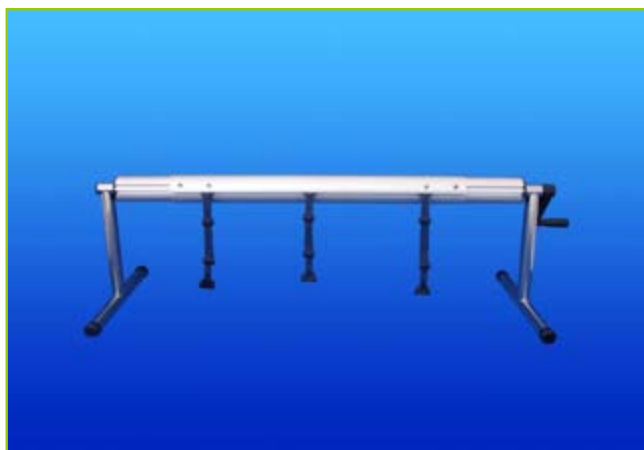
**COMPLETE STAINLESS STEEL REEL SYSTEM  
PORTABLE WITH TELESCOPIC TUBE**



460403	<b>MIKOS</b>	<b>2,6 - 4,3 m</b>
460404	<b>MIKOS</b>	<b>4,1 - 5,7 m</b>
460405	<b>MIKOS</b>	<b>5,3 - 6,9 m</b>

**Rabat Group**

A  
A  
A

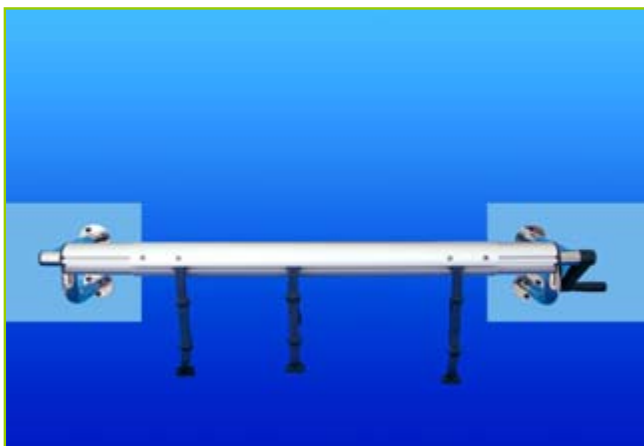


**COMPLETE STAINLESS STEEL REEL SYSTEM  
PLACE ON THE WALL**

430413	<b>CORFU-WALL - right</b>	<b>2,6 - 4,3 m</b>
430423	<b>CORFU-WALL - left</b>	<b>2,6 - 4,3 m</b>
460414	<b>CORFU-WALL - right</b>	<b>4,1 - 5,7 m</b>
460424	<b>CORFU-WALL - left</b>	<b>4,1 - 5,7 m</b>
460415	<b>CORFU-WALL - right</b>	<b>5,3 - 6,9 m</b>
460425	<b>CORFU-WALL - left</b>	<b>5,3 - 6,9 m</b>

**Rabat Group**

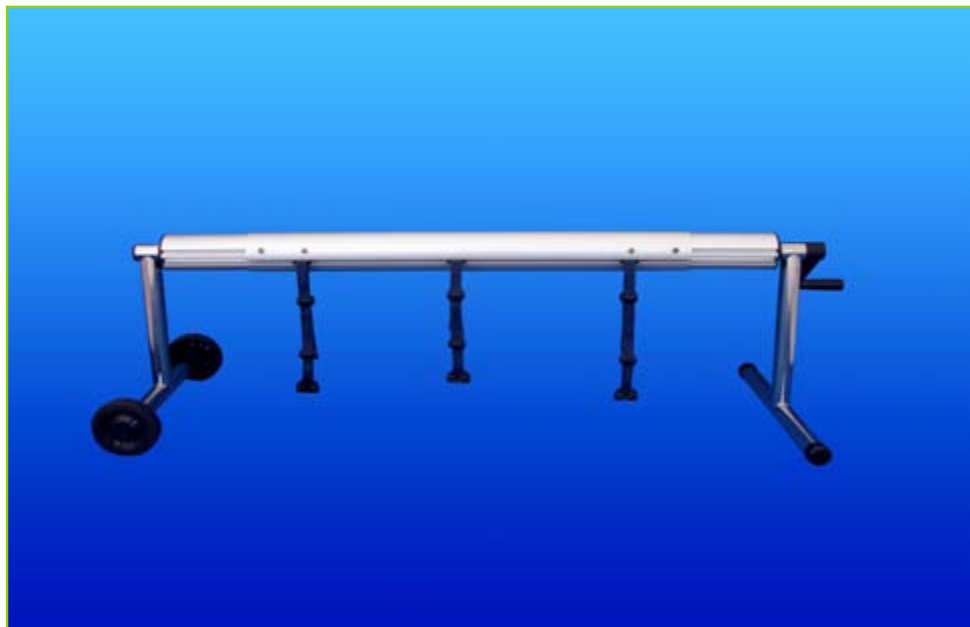
A  
A  
A  
A  
A





**COMPLETE STAINLESS STEEL REEL SYSTEM  
 MOBILE WITH TELESCOPIC TUBE**


			Rabat Group
460406	<b>SAMOS</b>	<b>2,6 - 4,3 m</b>	A
460407	<b>SAMOS</b>	<b>4,1 - 5,7 m</b>	A
460408	<b>SAMOS</b>	<b>5,3 - 6,9 m</b>	A

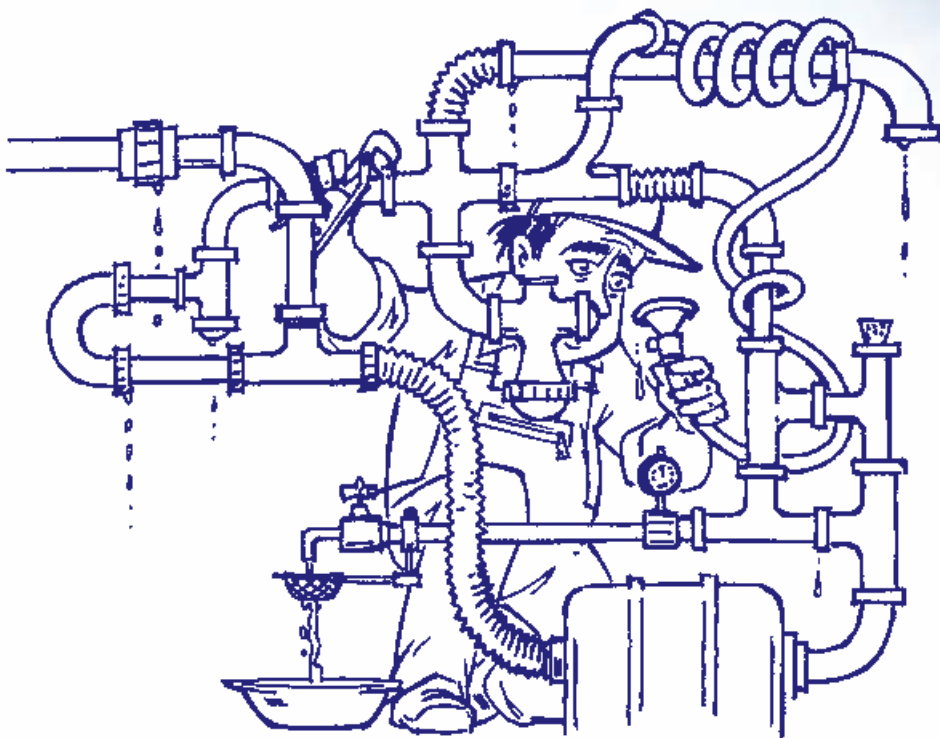

**ACCESSORIES FOR COVER ROLLERS**


			Rabat Group
460426	<b>Fixed reel system - stainless steel stands</b>		A
460411	<b>Fixed reel system adjustable - stainless steel stands</b>		A
460410	<b>Portable reel system - stainless steel stands</b>		A
460411	<b>Mobile reel system - stainless steel stands</b>		A
460427	<b>Wall reel system right - stainless steel stands</b>		A
460428	<b>Wall reel system left - stainless steel stands</b>		A
460412	<b>Telescopic tube 2,6 - 4,3 m (5 parts)</b>	tube (1,3+2,6+1,3)	A
460413	<b>Telescopic tube 4,1 - 5,7 (7 parts)</b>	tube (2+2,6+2)	A
460414	<b>Telescopic tube 5,3 - 6,9 (10 parts)</b>	tube (2,6+2,6+2,6)	A
460415	<b>Set to fasten the cover and telescopic tube, 1 piece</b> <b>Straps: 1,5 m</b>		A

**BUBBLE SOLAR FOLIE COVERING**

			Rabat Group
460416	<b>Solar cover 400 mic</b> width: 3 - 3,5 - 4 - 4,5 - 5 - 5,5 - 6 French blue, cutted	<b>Price :€/m2</b>	A

# ***PVC FITTINGS AND PIPES***

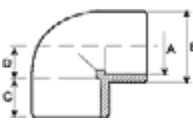


## PVC FITTINGS AND VALVES

## ELBOW 90°



97101016	<b>DN 10</b>	Ø 16 mm
97101020	<b>DN 15</b>	Ø 20 mm
97101025	<b>DN 20</b>	Ø 25 mm
97101032	<b>DN 25</b>	Ø 32 mm
97101040	<b>DN 32</b>	Ø 40 mm
97101050	<b>DN 40</b>	Ø 50 mm
97101063	<b>DN 50</b>	Ø 63 mm
97101075	<b>DN 65</b>	Ø 75 mm
97101090	<b>DN 80</b>	Ø 90 mm
97101110	<b>DN 100</b>	Ø 110 mm
97101125	<b>DN 110</b>	Ø 125 mm
97101140	<b>DN 125</b>	Ø 140 mm
97101160	<b>DN 150</b>	Ø 160 mm
97101200	<b>DN 175</b>	Ø 200 mm
97101225	<b>DN 200</b>	Ø 225 mm
97101250	<b>DN 225</b>	Ø 250 mm
97101315	<b>DN 300</b>	Ø 315 mm
97101400	<b>DN 400</b>	Ø 400 mm



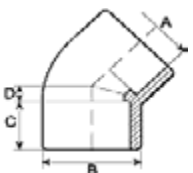
Units per box: 100/ A	E
Units per box: 50/ A	E
Units per box: 75/ B	E
Units per box: 90/ C	E
Units per box: 100/ D	E
Units per box: 100/ H	E
Units per box: 60/ H	E
Units per box: 38/ H	E
Units per box: 20/ H	E
Units per box: 12/ H	E
Units per box: 8/ H	E
Units per box: 6/ H	E
Units per box: 4/ H	E
Units per box: 3/ K	E
Units per box: 2/ K	E
Units per box: 1/ K	E
Units per box: 1	E
Units per box: -	E

Rabat  
Group

## ELBOW 45°



97102016	<b>DN 10</b>	Ø 16 mm
97102020	<b>DN 15</b>	Ø 20 mm
97102025	<b>DN 20</b>	Ø 25 mm
97102032	<b>DN 25</b>	Ø 32 mm
97102040	<b>DN 32</b>	Ø 40 mm
97102050	<b>DN 40</b>	Ø 50 mm
97102063	<b>DN 50</b>	Ø 63 mm
97102075	<b>DN 65</b>	Ø 75 mm
97102090	<b>DN 80</b>	Ø 90 mm
97102110	<b>DN 100</b>	Ø 110 mm
97102125	<b>DN 110</b>	Ø 125 mm
97102140	<b>DN 125</b>	Ø 140 mm
97102160	<b>DN 150</b>	Ø 160 mm
97102200	<b>DN 175</b>	Ø 200 mm
97102225	<b>DN 200</b>	Ø 225 mm
97102250	<b>DN 225</b>	Ø 250 mm
97102315	<b>DN 300</b>	Ø 315 mm
97102400	<b>DN 400</b>	Ø 400 mm



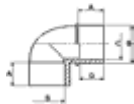
Units per box: 100/ A	E
Units per box: 60/ A	E
Units per box: 80/ B	E
Units per box: 100/ C	E
Units per box: 120/ D	E
Units per box: 120/ H	E
Units per box: 60/ H	E
Units per box: 40/ H	E
Units per box: 26/ H	E
Units per box: 16/ H	E
Units per box: 8/ H	E
Units per box: 6/ H	E
Units per box: 5/ H	E
Units per box: 4/ K	E
Units per box: 2/ H	E
Units per box: 2/ K	E
Units per box: 1/ K	E
Units per box: -	E

Rabat  
Group

## ELBOW 90° F/M



97101550	<b>DN 40</b>	Ø 50 mm
97101563	<b>DN 50</b>	Ø 63 mm



Units per box: 120/ H	E
Units per box: 70/ H	E

Rabat  
Group

## ELBOW 45° F/M



97102550	<b>DN 32</b>	Ø 50 mm
97102563	<b>DN 40</b>	Ø 63 mm



Units per box: 120/ H	E
Units per box: 60/ H	E

Rabat  
Group

### BEND 90°

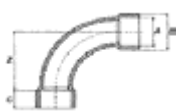


97110020  
97110025  
97110032  
97110040  
97110050  
97110063  
97110075  
97110090  
97110110  
97110125  
97110140  
97110160  
97110200  
97110225  
97110250  
97110315  
97110400

**DN 15** Ø 20 mm  
**DN 20** Ø 25 mm  
**DN 25** Ø 32 mm  
**DN 32** Ø 40 mm  
**DN 40** Ø 50 mm  
**DN 50** Ø 63 mm  
**DN 65** Ø 75 mm  
**DN 80** Ø 90 mm  
**DN 100** Ø 110 mm  
**DN 110** Ø 125 mm  
**DN 125** Ø 140 mm  
**DN 150** Ø 160 mm  
**DN 175** Ø 200 mm  
**DN 200** Ø 225 mm  
**DN 225** Ø 250 mm  
**DN 300** Ø 315 mm  
**DN 400** Ø 400 mm

Units per box: - E  
Units per box: - E  
Units per box: - E  
Units per box: - E  
Units per box: - E  
Units per box: - E  
Units per box: - E  
Units per box: - E  
Units per box: - E  
Units per box: - E  
Units per box: - E  
Units per box: - E  
Units per box: - E  
Units per box: - E  
Units per box: - E  
Units per box: - E  
Units per box: - E

**Rabat Group**



### T 90°

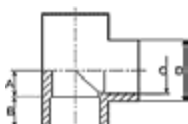


97103016  
97103020  
97103025  
97103032  
97103040  
97103050  
97103063  
97103075  
97103090  
97103110  
97103125  
97103140  
97103160  
97103200  
97103225  
97103250  
97103315  
97103400

**DN 10** Ø 16 mm  
**DN 15** Ø 20 mm  
**DN 20** Ø 25 mm  
**DN 25** Ø 32 mm  
**DN 32** Ø 40 mm  
**DN 40** Ø 50 mm  
**DN 50** Ø 63 mm  
**DN 65** Ø 75 mm  
**DN 80** Ø 90 mm  
**DN 100** Ø 110 mm  
**DN 110** Ø 125 mm  
**DN 125** Ø 140 mm  
**DN 150** Ø 160 mm  
**DN 175** Ø 200 mm  
**DN 200** Ø 225 mm  
**DN 225** Ø 250 mm  
**DN 300** Ø 315 mm  
**DN 400** Ø 400 mm

Units per box: 60/ A E  
Units per box: 30/ A E  
Units per box: 45/B E  
Units per box: 60/C E  
Units per box: 68/ D E  
Units per box: 76/ H E  
Units per box: 45/H E  
Units per box: 27/H E  
Units per box: 14/H E  
Units per box: 9/H E  
Units per box: 6/H E  
Units per box: 4/H E  
Units per box: 3/H E  
Units per box: 2/K E  
Units per box: 1/H E  
Units per box: 1/K E  
Units per box: 1 E  
Units per box: - E

**Rabat Group**



### T 45°

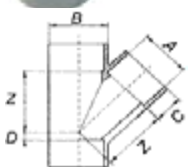


97111020  
97111025  
97111032  
97111040  
97111050\*  
97111063\*  
97111075\*  
97111090\*  
97111110\*  
\* PN10

**DN 15** Ø 20 mm  
**DN 20** Ø 25 mm  
**DN 25** Ø 32 mm  
**DN 32** Ø 40 mm  
**DN 40** Ø 50 mm  
**DN 50** Ø 63 mm  
**DN 65** Ø 75 mm  
**DN 80** Ø 90 mm  
**DN 100** Ø 110 mm

Units per box: - E  
Units per box: - E  
Units per box: - E  
Units per box: - E  
Units per box: - E  
Units per box: - E  
Units per box: - E  
Units per box: - E  
Units per box: - E  
Units per box: - E

**Rabat Group**





## REDUCING T 90°



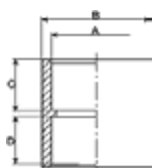
					Rabat Group
97104020	<b>DN 15-10</b>	Ø 20-16 mm	Units per box: 30/ A	E	
97104025	<b>DN 20-10</b>	Ø 25-16 mm	Units per box: 45/ A	E	
97104026	<b>DN 20-15</b>	Ø 25-20 mm	Units per box: 45/B	E	
97104032	<b>DN 25-15</b>	Ø 32-20 mm	Units per box: 60/C	E	
97104033	<b>DN 25-20</b>	Ø 32-25 mm	Units per box: 60/C	E	
97104040	<b>DN 32-15</b>	Ø 40-20 mm	Units per box: 68/D	E	
97104041	<b>DN 32-20</b>	Ø 40-25 mm	Units per box: 68/D	E	
97104042	<b>DN 32-25</b>	Ø 40-32 mm	Units per box: 68/D	E	
97104050	<b>DN 40-15</b>	Ø 50-20 mm	Units per box: 76/H	E	
97104051	<b>DN 40-20</b>	Ø 50-25 mm	Units per box: 76/H	E	
97104052	<b>DN 40-25</b>	Ø 50-32 mm	Units per box: 76/H	E	
97104053	<b>DN 40-32</b>	Ø 50-40 mm	Units per box: 76/H	E	
97104061	<b>DN 50-15</b>	Ø 63-20 mm	Units per box: 45/H	E	
97104062	<b>DN 50-20</b>	Ø 63-25 mm	Units per box: 45/H	E	
97104063	<b>DN 50-25</b>	Ø 63-32 mm	Units per box: 45/H	E	
97104064	<b>DN 50-32</b>	Ø 63-40 mm	Units per box: 45/H	E	
97104065	<b>DN 50-40</b>	Ø 63-50 mm	Units per box: 45/H	E	
97104072	<b>DN 65-25</b>	Ø 75-32 mm	Units per box: 27/H	E	
97104073	<b>DN 65-32</b>	Ø 75-40 mm	Units per box: 27/H	E	
97104074	<b>DN 65-40</b>	Ø 75-50 mm	Units per box: 27/H	E	
97104075	<b>DN 65-50</b>	Ø 75-63 mm	Units per box: 27/H	E	
97104087	<b>DN 80-32</b>	Ø 90-40 mm	Units per box: 14/H	E	
97104088	<b>DN 80-40</b>	Ø 90-50 mm	Units per box: 14/H	E	
97104089	<b>DN 80-50</b>	Ø 90-63 mm	Units per box: 14/H	E	
97104090	<b>DN 80-65</b>	Ø 90-75 mm	Units per box: 14/H	E	
97104107	<b>DN 100-40</b>	Ø 110-50 mm	Units per box: 9/H	E	
97104108	<b>DN 100-50</b>	Ø 110-63 mm	Units per box: 9/H	E	
97104109	<b>DN 100-65</b>	Ø 110-75 mm	Units per box: 9/H	E	
97104110	<b>DN 100-80</b>	Ø 110-90 mm	Units per box: 9/H	E	
97104122	<b>DN 110-50</b>	Ø 125-63 mm	Units per box: 6/H	E	
97104123	<b>DN 110-65</b>	Ø 125-75 mm	Units per box: 6/H	E	
97104124	<b>DN 110-80</b>	Ø 125-90 mm	Units per box: 6/H	E	
97104125	<b>DN 110-100</b>	Ø 125-110 mm	Units per box: 6/H	E	
97104137	<b>DN 125-65</b>	Ø 140-75 mm	Units per box: 4/H	E	
97104138	<b>DN 125-80</b>	Ø 140-90 mm	Units per box: 4/H	E	
97104139	<b>DN 125-100</b>	Ø 140-110 mm	Units per box: 4/H	E	
97104140	<b>DN 125-110</b>	Ø 140-125 mm	Units per box: 4/H	E	
97104157	<b>DN 150-80</b>	Ø 160-90 mm	Units per box: 3/H	E	
97104158	<b>DN 150-100</b>	Ø 160-110 mm	Units per box: 3/H	E	
97104159	<b>DN 150-110</b>	Ø 160-125 mm	Units per box: 3/H	E	
97104160	<b>DN 150-125</b>	Ø 160-140 mm	Units per box: 3/H	E	
97104200	<b>DN 175-150</b>	Ø 200-160 mm	Units per box: 2/K	E	
97104201	<b>DN 176-160</b>	Ø 200-180 mm	Units per box: 2/K	E	
97104225	<b>DN 200-175</b>	Ø 225-200 mm	Units per box: 1/H	E	
97104250	<b>DN 225-175</b>	Ø 250-200 mm	Units per box: 1/K	E	
97104251	<b>DN 225-200</b>	Ø 250-225 mm	Units per box: 1/K	E	
97104315	<b>DN 300-200</b>	Ø 315-225 mm	Units per box: 1	E	
97104316	<b>DN 300-225</b>	Ø 315-250 mm	Units per box: 1	E	



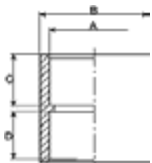
## SOCKET



					Rabat Group
97105016	<b>DN 10</b>	Ø 16 mm	Units per box: 80/ A	E	
97105020	<b>DN 15</b>	Ø 20 mm	Units per box: 60/ A	E	
97105025	<b>DN 20</b>	Ø 25 mm	Units per box: 40/A	E	
97105032	<b>DN 25</b>	Ø 32 mm	Units per box: 60/B	E	
97105040	<b>DN 32</b>	Ø 40 mm	Units per box: 84/C	E	
97105050	<b>DN 40</b>	Ø 50 mm	Units per box: 100/D	E	
97105063	<b>DN 50</b>	Ø 63 mm	Units per box: 60/D	E	
97105075	<b>DN 65</b>	Ø 75 mm	Units per box: 36/D	E	
97105090	<b>DN 80</b>	Ø 90 mm	Units per box: 18/D	E	



### SOCKET



97105110	<b>DN 100</b>	Ø 110 mm
97105125	<b>DN 110</b>	Ø 125 mm
97105140	<b>DN 125</b>	Ø 140 mm
97105160	<b>DN 150</b>	Ø 160 mm
97105200	<b>DN 175</b>	Ø 200 mm
97105225	<b>DN 200</b>	Ø 225 mm
97105250	<b>DN 225</b>	Ø 250 mm
97105315	<b>DN 300</b>	Ø 315 mm
97105400	<b>DN 400</b>	Ø 400 mm

Units per box: 12/D	E
Units per box: 16/H	E
Units per box: 9/H	E
Units per box: 6/H	E
Units per box: 3/H	E
Units per box: 2/H	E
Units per box: 2/K	E
Units per box: 1/K	E
Units per box: -	E

**Rabat Group**

### REDUCING SOCKET

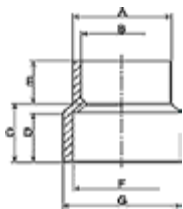


97106020	<b>Ø 20-16 mm</b>
97106025	<b>Ø 25-16 mm</b>
97106026	<b>Ø 25-20 mm</b>
97106032	<b>Ø 32-20 mm</b>
97106033	<b>Ø 32-25 mm</b>
97106040	<b>Ø 40-20 mm</b>
97106041	<b>Ø 40-25 mm</b>
97106042	<b>Ø 40-32 mm</b>
97106050	<b>Ø 50-20 mm</b>
97106051	<b>Ø 50-25 mm</b>
97106052	<b>Ø 50-32 mm</b>
97106053	<b>Ø 50-40 mm</b>
97106063	<b>Ø 63-32 mm</b>
97106064	<b>Ø 63-40 mm</b>
97106065	<b>Ø 63-50 mm</b>
97106073	<b>Ø 75-40 mm</b>
97106074	<b>Ø 75-50 mm</b>
97106075	<b>Ø 75-63 mm</b>
97106088	<b>Ø 90-50 mm</b>
97106089	<b>Ø 90-63 mm</b>
97106090	<b>Ø 90-75 mm</b>
97106108	<b>Ø 110-63 mm</b>
97106109	<b>Ø 110-75 mm</b>
97106110	<b>Ø 110-90 mm</b>
97106123	<b>Ø 125-75 mm</b>
97106124	<b>Ø 125-90 mm</b>
97106125	<b>Ø 125-110 mm</b>
97106139	<b>Ø 140-110 mm</b>
97106140	<b>Ø 140-125 mm</b>
97106157	<b>Ø 160-90 mm</b>
97106158	<b>Ø 160-110 mm</b>
97106159	<b>Ø 160-125 mm</b>
97106160	<b>Ø 160-140 mm</b>
97106202	<b>Ø 200-110 mm</b>
97106203	<b>Ø 200-125 mm</b>
97106200	<b>Ø 200-160 mm</b>
97106201	<b>Ø 200-180 mm</b>
97106222	<b>Ø 225-160 mm</b>
97106225	<b>Ø 225-200 mm</b>
97106249	<b>Ø 250-160 mm</b>
97106250	<b>Ø 250-200 mm</b>
97106251	<b>Ø 250-225 mm</b>
97106314	<b>Ø 315-200 mm</b>
97106315	<b>Ø 315-225 mm</b>
97106316	<b>Ø 315-250 mm</b>
97106400	<b>Ø 400-315 mm</b>

Units per box: 100/A	E
Units per box: 100/A	E
Units per box: 100/A	E
Units per box: 80/ A	E
Units per box: 80/ A	E
Units per box: 100/B	E
Units per box: 100/B	E
Units per box: 100/B	E
Units per box: 75/B	E
Units per box: 75/B	E
Units per box: 75/B	E
Units per box: 75/B	E
Units per box: 90/C	E
Units per box: 90/C	E
Units per box: 90/C	E
Units per box: 50/C	E
Units per box: 50/C	E
Units per box: 50/C	E
Units per box: 30/C	E
Units per box: 30/C	E
Units per box: 30/C	E
Units per box: 15/D	E
Units per box: 15/D	E
Units per box: 15/D	E
Units per box: 12/C	E
Units per box: 12/C	E
Units per box: 12/C	E
Units per box: 17/D	E
Units per box: 17/D	E
Units per box: 10/D	E
Units per box: 10/D	E
Units per box: 10/D	E
Units per box: 10/H	E
Units per box: 10/H	E
Units per box: 10/H	E
Units per box: 10/H	E
Units per box: 7/H	E
Units per box: 7/H	E
Units per box: 6/H	E
Units per box: 6/H	E
Units per box: 6/H	E
Units per box: 4/K	E
Units per box: 4/K	E
Units per box: 4/K	E
Units per box: -	E

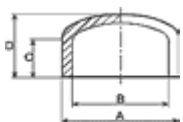
**Rabat Group**

## CONICAL REDUCING - LONG



			Rabat Group
97108025	Ø 25-20x16 mm	Units per box: 100/A	E
97108032	Ø 32-25x20 mm	Units per box: 50/A	E
97108039	Ø 40-32x20 mm	Units per box: 90/B	E
97108040	Ø 40-32x25 mm	Units per box: 90/B	E
97108048	Ø 50-40x20 mm	Units per box: 100/C	E
97108049	Ø 50-40x25 mm	Units per box: 100/C	E
97108050	Ø 50-40x32 mm	Units per box: 100/C	E
97108060	Ø 63-50x20 mm	Units per box: 64/C	E
97108061	Ø 63-50x25 mm	Units per box: 64/C	E
97108062	Ø 63-50x32 mm	Units per box: 64/C	E
97108063	Ø 63-50x40 mm	Units per box: 60/C	E
97108064	Ø 63-50x50 mm	Units per box: 40/C	E
97108073	Ø 75-63x32 mm	Units per box: 84/D	E
97108074	Ø 75-63x40 mm	Units per box: 84/D	E
97108075	Ø 75-63x50 mm	Units per box: 80/D	E
97108088	Ø 90-75x40 mm	Units per box: 45/D	E
97108089	Ø 90-75x50 mm	Units per box: 45/D	E
97108090	Ø 90-75x63 mm	Units per box: 45/D	E
97108108	Ø 110-90x50 mm	Units per box: 24/D	E
97108109	Ø 110-90x63 mm	Units per box: 24/D	E
97108110	Ø 110-90x75 mm	Units per box: 20/D	E
97108123	Ø 125-110x63 mm	Units per box: 36/H	E
97108124	Ø 125-110x75 mm	Units per box: 36/H	E
97108125	Ø 125-110x90 mm	Units per box: 30/H	E
97108138	Ø 140-125x75 mm	Units per box: 22/H	E
97108139	Ø 140-125x90 mm	Units per box: 22/H	E
97108140	Ø 140-125x110 mm	Units per box: 16/H	E
97108156	Ø 160-140x63 mm	Units per box: 15/H	E
97108157	Ø 160-140x75 mm	Units per box: 15/H	E
97108158	Ø 160-140x90 mm	Units per box: 15/H	E
97108159	Ø 160-140x110 mm	Units per box: 12/H	E
97108160	Ø 160-140x125 mm	Units per box: 9/H	E
97108198	Ø 200-180x110 mm	Units per box: 6/H	E
97108199	Ø 200-180x125 mm	Units per box: 6/H	E
97108200	Ø 200-180x140 mm	Units per box: 6/H	E
97108225	Ø 225-200x125 mm	Units per box: 3/H	E
97108226	Ø 225-200x140 mm	Units per box: 3/H	E
97108227	Ø 225-200x160 mm	Units per box: 3/H	E
97108249	Ø 250-225x140 mm	Units per box: 4/K	E
97108250	Ø 250-225x160 mm	Units per box: 4/K	E
97108251	Ø 250-225x200 mm	Units per box: 4/K	E
97108315	Ø 315-280x160 mm	Units per box: 2/K	E
97108316	Ø 315-280x200 mm	Units per box: 2/K	E

## CAP



			Rabat Group
97107016	Ø 16 mm	Units per box: 100/A	E
97107020	Ø 20 mm	Units per box: 100/A	E
97107025	Ø 25 mm	Units per box: 75/A	E
97107032	Ø 32 mm	Units per box: 100/B	E
97107040	Ø 40 mm	Units per box: 70/B	E
97107050	Ø 50 mm	Units per box: 80/C	E
97107063	Ø 63 mm	Units per box: 50/C	E
97107075	Ø 75 mm	Units per box: 24/C	E
97107090	Ø 90 mm	Units per box: 15/C	E
97107110	Ø 110 mm	Units per box: 11/C	E
97107125	Ø 125 mm	Units per box: 12/D	E
97107140	Ø 140 mm	Units per box: 9/D	E
97107160	Ø 160 mm	Units per box: 12/H	E
97107200	Ø 200 mm	Units per box: 7/H	E
97107225	Ø 225 mm	Units per box: 6/H	E
97107250	Ø 250 mm	Units per box: 4/K	E
97107315	Ø 315 mm	Units per box: 1/R	E

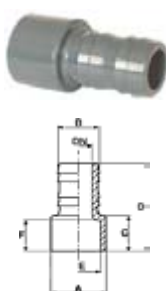
### CROSS



97109020	<b>DN 15</b>	Ø 20 mm
97109025	<b>DN 20</b>	Ø 25 mm
97109032	<b>DN 25</b>	Ø 32 mm
97109040	<b>DN 32</b>	Ø 40 mm
97109050	<b>DN 40</b>	Ø 50 mm
97109063	<b>DN 50</b>	Ø 63 mm
97109075	<b>DN 65</b>	Ø 75 mm
97109090	<b>DN 80</b>	Ø 90 mm
97109110	<b>DN 100</b>	Ø 110 mm

Rabat Group	
Units per box: -	E
Units per box: -	E
Units per box: 90/D	E
Units per box: -	E
Units per box: 60/H	E
Units per box: 30/H	E
Units per box: -	E
Units per box: -	E
Units per box: -	E

### SPIGOT CONNECTION SOLVENT SOCKET



97133016	<b>DN 10</b>	Ø 16-16 mm
97133020	<b>DN 15</b>	Ø 20-18 mm
97133021	<b>DN 15</b>	Ø 20-20 mm
97133025	<b>DN 20</b>	Ø 25-25 mm
97133032	<b>DN 25</b>	Ø 32-30 mm
97133040	<b>DN 32</b>	Ø 40-40 mm
97133050	<b>DN 40</b>	Ø 50-38 mm
97133051	<b>DN 40</b>	Ø 50-50 mm
97133063	<b>DN 50</b>	Ø 63-60 mm

Rabat Group	
Units per box: -	E
Units per box: -	E
Units per box: -	E
Units per box: -	E
Units per box: -	E
Units per box: -	E
Units per box: 60/C	E
Units per box: -	E
Units per box: -	E

### LONG SPIGOT SOLVENT SOCKET



97135050	<b>DN 25</b>	Ø 38-50 mm
----------	--------------	------------

Rabat Group	
Units per box: 45/C	E

### FIXED FLANGE



		NR.OF HOLE	
97122075	<b>DN 65</b>	Ø 75 mm	4
97122090	<b>DN 80</b>	Ø 90 mm	8
97122110	<b>DN 100</b>	Ø 110 mm	8
97122125	<b>DN 120</b>	Ø 125 mm	8
97122126*	<b>DN 125</b>	Ø 125 mm	8
97122140	<b>DN 125</b>	Ø 140 mm	8
97122160	<b>DN 150</b>	Ø 160 mm	8
97122200	<b>DN 197</b>	Ø 200 mm	8
97122225	<b>DN 200</b>	Ø 225 mm	8
97122250	<b>DN 225</b>	Ø 250 mm	12

		Rabat Group	
Units per box: 34/H	E		
Units per box: 26/H	E		
Units per box: 18/H	E		
Units per box: 12/H	E		
Units per box: 12/H	E		
Units per box: 10/H	E		
Units per box: 10/K	E		
Units per box: 6/K	E		
Units per box: -	E		
Units per box: 2/I	E		

\* Fixed flange for butterfly valve

### MALE FIXED FLANGE

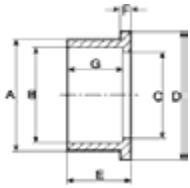


		NR.OF HOLE	
97120020	<b>DN 15</b>	Ø 20 mm	4
97120025	<b>DN 20</b>	Ø 25 mm	4
97120032	<b>DN 25</b>	Ø 32 mm	4
97120040	<b>DN 32</b>	Ø 40 mm	4
97120050	<b>DN 40</b>	Ø 50 mm	4
97120063	<b>DN 50</b>	Ø 63 mm	4
97120075	<b>DN 65</b>	Ø 75 mm	4
97120090	<b>DN 80</b>	Ø 90 mm	8
97120110	<b>DN 100</b>	Ø 110 mm	8
97120125	<b>DN 110</b>	Ø 125 mm	8

		Rabat Group	
	E		
	E		
	E		
	E		
	E		
	E		
	E		
	E		
	E		
	E		



**FLANGE ADAPTOR**



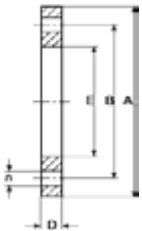
97121020	<b>DN 15</b>	Ø 20 mm
97121025	<b>DN 20</b>	Ø 25 mm
97121032	<b>DN 25</b>	Ø 32 mm
97121040	<b>DN 32</b>	Ø 40 mm
97121050	<b>DN 40</b>	Ø 50 mm
97121063	<b>DN 50</b>	Ø 63 mm
97121075	<b>DN 65</b>	Ø 75 mm
97121090	<b>DN 80</b>	Ø 90 mm
97121110	<b>DN 100</b>	Ø 110 mm
97121125	<b>DN 110</b>	Ø 125 mm
97121140	<b>DN 125</b>	Ø 140 mm
97121160	<b>DN 150</b>	Ø 160 mm
97121200	<b>DN 175</b>	Ø 200 mm
97121225	<b>DN 200</b>	Ø 225 mm
97121250	<b>DN 225</b>	Ø 250 mm
97121315	<b>DN 300</b>	Ø 315 mm
97121400	<b>DN 400</b>	Ø 400 mm
97121500*	<b>DN 500</b>	Ø 500 mm

Units per box: -	E
Units per box: -	E
Units per box: -	E
Units per box: 54/B	E
Units per box: 30/B	E
Units per box: 44/C	E
Units per box: 21/C	E
Units per box: 30/D	E
Units per box: 20/D	E
Units per box: 24/H	E
Units per box: 18/H	E
Units per box: 12/H	E
Units per box: 7/H	E
Units per box: 6/H	E
Units per box: 4/K	E
Units per box: 2/K	E
Units per box: -	E
Units per box: -	E

**Rabat Group**

\* PN-4

**BACKING RING**



97123020	<b>DN 15</b>	Ø 20 mm
97123025	<b>DN 20</b>	Ø 25 mm
97123032	<b>DN 25</b>	Ø 32 mm
97123040	<b>DN 32</b>	Ø 40 mm
97123050	<b>DN 40</b>	Ø 50 mm
97123063	<b>DN 50</b>	Ø 63 mm
97123075	<b>DN 65</b>	Ø 75 mm
97123090	<b>DN 80</b>	Ø 90 mm
97123110	<b>DN 100</b>	Ø 110 mm
97123125	<b>DN 125</b>	Ø 125 mm
97123126*	<b>DN 125</b>	Ø 125 mm
97123140	<b>DN 125</b>	Ø 140 mm
97123160	<b>DN 150</b>	Ø 160 mm
97123200	<b>DN 175</b>	Ø 200 mm
97123225	<b>DN 200</b>	Ø 225 mm
97123250	<b>DN 225</b>	Ø 250 mm
97123315	<b>DN 300</b>	Ø 315 mm
97123400	<b>DN 400</b>	Ø 400 mm
97123500	<b>DN 500</b>	Ø 500 mm

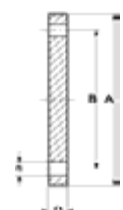
**NR.OF HOLE**

4	Units per box: -	E
4	Units per box: -	E
4	Units per box: -	E
4	Units per box: 44/C	E
4	Units per box: 30/C	E
4	Units per box: 20/C	E
4	Units per box: 36/D	E
8	Units per box: 32/D	E
8	Units per box: 22/D	E
8	Units per box: 18/D	E
8	Units per box: 18/D	E
8	Units per box: 18/D	E
8	Units per box: 12/D	E
8	Units per box: 9/R	E
8	Units per box: 7/R	E
12	Units per box: 9/S	E
12	Units per box: 7/J	E
16	Units per box: -	E
20	Units per box: -	E

**Rabat Group**

\* Fixed flange for butterfly valve

**BLANK FLANGE**



97124020	<b>Ø 20 mm</b>
97124025	<b>Ø 25 mm</b>
97124032	<b>Ø 32 mm</b>
97124040	<b>Ø 40 mm</b>
97124050	<b>Ø 50 mm</b>
97124063	<b>Ø 63 mm</b>
97124075	<b>Ø 75 mm</b>
97124090	<b>Ø 90 mm</b>
97124110	<b>Ø 110 mm</b>
97124125	<b>Ø 125 mm</b>
97124140	<b>Ø 140 mm</b>
97124160	<b>Ø 160 mm</b>
97124200	<b>Ø 200 mm</b>

**NR.OF HOLE**

4	Units per box: -	E
4	Units per box: -	E
4	Units per box: -	E
4	Units per box: -	E
4	Units per box: 30/C	E
4	Units per box: 20/C	E
4	Units per box: 36/D	E
8	Units per box: 32/D	E
8	Units per box: 22/D	E
8	Units per box: 18/D	E
8	Units per box: 18/D	E
8	Units per box: 10/D	E
8	Units per box: 8/R	E

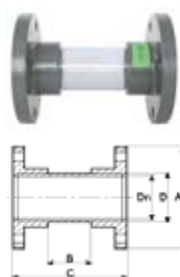
**Rabat Group**

### FLANGED UNION



Part Number	DN	Ø	Units per box:	Rabat Group
97410075	DN 65	Ø 75 mm	1	E
97410090	DN 80	Ø 90 mm	1	E
97410110	DN 100	Ø 110 mm	1	E
97410125	DN 110	Ø 125 mm	1	E
97410140	DN 125	Ø 140 mm	1	E
97410160	DN 150	Ø 160 mm	1	E
97410200	DN 200	Ø 200 mm	1	E
97410250	DN 225	Ø 250 mm	1	E

### PVC SIGHT GLASS WITH SOCKET FLANGES



Part Number	DN	Ø	Units per box:	Rabat Group
97420075	DN 65	Ø 75 mm	1	E
97420090	DN 80	Ø 90 mm	1	E
97420110	DN 100	Ø 110 mm	1	E
97420125*	DN 110	Ø 125 mm	1	E
97420140*	DN 125	Ø 140 mm	1	E
97420160*	DN 150	Ø 160 mm	1	E

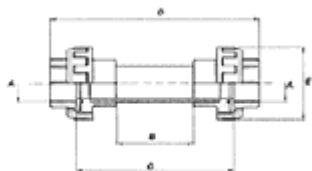
\* PN 4

### PVC SIGHT GLASS WITH UNIONS

#### SOLVENT SOCKET:



Part Number	DN	Ø	Units per box:	Rabat Group
97421016	DN 10	Ø 16 mm		E
97421020	DN 15	Ø 20 mm		E
97421025	DN 20	Ø 25 mm		E
97421032	DN 25	Ø 32 mm		E
97421040	DN 32	Ø 40 mm		E
97421050	DN 40	Ø 50 mm		E
97421063	DN 50	Ø 63 mm		E
97421075	DN 65	Ø 75 mm		E
97421090	DN 80	Ø 90 mm		E
97421110	DN 100	Ø 110 mm		E



#### FEMALE THREADED:



Part Number	DN	Ø	Units per box:	Rabat Group
97422016	DN 10	3/8"		E
97422020	DN 15	1/2"		E
97422025	DN 20	3/4"		E
97422032	DN 25	1"		E
97422040	DN 32	1 1/4"		E
97422050	DN 40	1 1/2"		E
97422063	DN 50	2"		E
97422075	DN 65	2 1/2"		E
97422090	DN 80	3"		E
97422110	DN 100	4"		E



### ELBOW 45° - MIX



					Rabat Group
97302016	<b>DN 15</b>	Ø 16-3,8" mm	Units per box: 100/A	E	
97302020	<b>DN 16</b>	Ø 20-1,2" mm	Units per box: 60/A	E	
97302025	<b>DN 20</b>	Ø 25-3/4" mm	Units per box: 80/B	E	
97302032	<b>DN 25</b>	Ø 32-1" mm	Units per box: 100/C	E	
97302040	<b>DN 32</b>	Ø 40-1 1/4" mm	Units per box: 120/D	E	
97302050	<b>DN 40</b>	Ø 50-1 1/2" mm	Units per box: 120/H	E	
97302063	<b>DN 50</b>	Ø 63-2" mm	Units per box: 60/H	E	
97302075	<b>DN 65</b>	Ø 75-2 1/2" mm	Units per box: 40/H	E	
97302090	<b>DN 80</b>	Ø 90-3" mm	Units per box: 26/H	E	
97302110	<b>DN 100</b>	Ø 110-4" mm	Units per box: 16/H	E	

### ELBOW REINFORCED 45° (stain. steel ring) - MIX



					Rabat Group
97302620	<b>DN 15</b>	Ø 20-1/2" mm	Units per box: 60/A	E	
97302625	<b>DN 20</b>	Ø 25-3/4" mm	Units per box: 80/B	E	
97302632	<b>DN 25</b>	Ø 32-1" mm	Units per box: 100/C	E	
97302640	<b>DN 32</b>	Ø 40-1 1/4" mm	Units per box: 120/D	E	
97302650	<b>DN 40</b>	Ø 50-1 1/2" mm	Units per box: 120/H	E	
97302663	<b>DN 50</b>	Ø 63-2" mm	Units per box: 60/H	E	

### ELBOW 45° - F/M



					Rabat Group
97302550	<b>DN 40</b>	Ø 50-1 1/2" mm	Units per box: 120/H	E	
97302563	<b>DN 50</b>	Ø 63-2" mm	Units per box: 60/H	E	

### T 90° - MIX



					Rabat Group
97303016	<b>DN 15</b>	Ø 16-3/8" mm	Units per box: 60/A	E	
97303020	<b>DN 16</b>	Ø 20-1/2" mm	Units per box: 30/A	E	
97303025	<b>DN 20</b>	Ø 25-3/4" mm	Units per box: 45/B	E	
97303032	<b>DN 25</b>	Ø 32-1" mm	Units per box: 60/C	E	
97303040	<b>DN 32</b>	Ø 40-1 1/4" mm	Units per box: 68/D	E	
97303050	<b>DN 40</b>	Ø 50-1 1/2" mm	Units per box: 76/H	E	
97303063	<b>DN 50</b>	Ø 63-2" mm	Units per box: 45/H	E	
97303075	<b>DN 65</b>	Ø 75-2 1/2" mm	Units per box: 27/H	E	
97303090	<b>DN 80</b>	Ø 90-3" mm	Units per box: 14/H	E	
97303110	<b>DN 100</b>	Ø 110-4" mm	Units per box: 9/H	E	

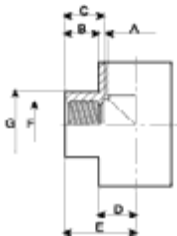


**T 90° REINFORCED (stain. steel ring) - MIX****Rabat  
Group**

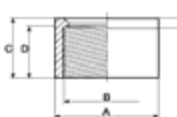
97303620	<b>DN 15</b>	Ø 20-1/2" mm	Units per box: 30/A	E
97303625	<b>DN 20</b>	Ø 25-3/4" mm	Units per box: 45/B	E
97303632	<b>DN 25</b>	Ø 32-1" mm	Units per box: 60/C	E
97303640	<b>DN 32</b>	Ø 40-1 1/4" mm	Units per box: 68/D	E
97303650	<b>DN 40</b>	Ø 50-1 1/2" mm	Units per box: 76/H	E
97303663	<b>DN 50</b>	Ø 63-2" mm	Units per box: 45/H	E

**REDUCING T 90° - MIX****Rabat  
Group**

97304020	<b>DN 15-10</b>	Ø 20-3/8" mm	Units per box: 30/A	E
97304025	<b>DN 20-10</b>	Ø 25-3/8" mm	Units per box: 45/B	E
97304026	<b>DN 20-15</b>	Ø 25-1/2" mm	Units per box: 45/B	E
97304032	<b>DN 25-15</b>	Ø 32-1/2" mm	Units per box: 60/C	E
97304033	<b>DN 25-20</b>	Ø 32-3/4" mm	Units per box: 60/C	E
97304040	<b>DN 32-15</b>	Ø 40-1/2" mm	Units per box: 68/D	E
97304041	<b>DN 32-20</b>	Ø 40-3/4" mm	Units per box: 68/D	E
97304042	<b>DN 32-25</b>	Ø 40-1" mm	Units per box: 68/D	E
97304050	<b>DN 40-15</b>	Ø 50-1/2" mm	Units per box: 76/H	E
97304051	<b>DN 40-20</b>	Ø 50-3/4" mm	Units per box: 76/H	E
97304052	<b>DN 40-25</b>	Ø 50-1" mm	Units per box: 76/H	E
97304053	<b>DN 40-32</b>	Ø 50-1 1/4" mm	Units per box: 76/H	E
97304061	<b>DN 50-15</b>	Ø 63-1 1/2" mm	Units per box: -	E
97304062	<b>DN 50-20</b>	Ø 63-3/4" mm	Units per box: -	E
97304063	<b>DN 50-25</b>	Ø 63-1" mm	Units per box: 45/H	E
97304064	<b>DN 50-32</b>	Ø 63-1 1/4" mm	Units per box: 45/H	E
97304065	<b>DN 50-40</b>	Ø 63-1 1/2" mm	Units per box: 45/H	E
97304072	<b>DN 65-25</b>	Ø 75-1" mm	Units per box: -	E
97304073	<b>DN 65-32</b>	Ø 75-1 1/4" mm	Units per box: -	E
97304074	<b>DN 65-40</b>	Ø 75-1 1/2" mm	Units per box: -	E
97304075	<b>DN 65-50</b>	Ø 75-2" mm	Units per box: 27/H	E
97304087	<b>DN 80-32</b>	Ø 90-1 1/4" mm	Units per box: -	E
97304088	<b>DN 80-40</b>	Ø 90-1 1/2" mm	Units per box: -	E
97304089	<b>DN 80-50</b>	Ø 90-2" mm	Units per box: -	E
97304090	<b>DN 80-65</b>	Ø 90-2 1/2" mm	Units per box: 14/H	E

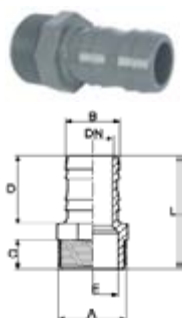
**REDUCED THREADED****Rabat  
Group**

97306020	<b>DN 10</b>	Ø 20-3/8" mm	Units per box: 100/A	E
97306025	<b>DN 10</b>	Ø 25-3/8" mm	Units per box: 100/A	E
97306026	<b>DN 15</b>	Ø 25-1/2" mm	Units per box: 100/A	E
97306032	<b>DN 20</b>	Ø 32-3/4" mm	Units per box: 80/A	E
97306040	<b>DN 25</b>	Ø 40-1" mm	Units per box: 100/B	E
97306050	<b>DN 32</b>	Ø 50-1 1/4" mm	Units per box: 75/B	E
97306063	<b>DN 40</b>	Ø 63-1 1/2" mm	Units per box: 90/C	E
97306075	<b>DN 50</b>	Ø 75-2" mm	Units per box: 50/C	E
97306090	<b>DN 65</b>	Ø 90-2 1/2" mm	Units per box: 30/C	E
97306110	<b>DN 80</b>	Ø 100-3" mm	Units per box: 15/C	E



### SPIGOT CONNECTION BSP MALE THREAD

Rabat Group



97134016	<b>DN 10</b>	Ø 16-3/8" mm	Units per box: -	E
97134020	<b>DN 15</b>	Ø 18-1/2" mm	Units per box: -	E
97134021	<b>DN 15</b>	Ø 20-1/2" mm	Units per box: -	E
97134025	<b>DN 20</b>	Ø 20-3/4" mm	Units per box: -	E
97134026	<b>DN 20</b>	Ø 25-3/4" mm	Units per box: -	E
97134032	<b>DN 25</b>	Ø 25-1" mm	Units per box: -	E
97134033	<b>DN 25</b>	Ø 30-1" mm	Units per box: -	E
97134040	<b>DN 32</b>	Ø 40-1 1/4" mm	Units per box: -	E
97134050	<b>DN 40</b>	Ø 38-1 1/2" mm	Units per box: 60/C	E
97134051	<b>DN 40</b>	Ø 40-1 1/2" mm	Units per box: -	E
97134052	<b>DN 40</b>	Ø 50-1 1/2" mm	Units per box: -	E
97134063	<b>DN 50</b>	Ø 60-2" mm	Units per box: -	E

### LONG SPIGOT CONNECT. BSP MALE THREAD

Rabat Group



97136050	<b>DN 25</b>	Ø 38-1 1/2" mm	Units per box: 45/C	E
----------	--------------	----------------	---------------------	---

### ADAPTOR SOCKET

Rabat Group



97305016	<b>DN 10</b>	Ø 16-3/8" mm	Units per box: 40/A	E
97305020	<b>DN 15</b>	Ø 20-1/2" mm	Units per box: 40/A	E
97305025	<b>DN 20</b>	Ø 25-3/4" mm	Units per box: 90/B	E
97305032	<b>DN 25</b>	Ø 32-1" mm	Units per box: 64/B	E
97305033	<b>DN 20</b>	Ø 32-3/4" mm	Units per box: 64/B	E
97305040	<b>DN 32</b>	Ø 40-1 1/4" mm	Units per box: 70/C	E
97305050	<b>DN 40</b>	Ø 50-1 1/2" mm	Units per box: 96/D	E
97305063	<b>DN 50</b>	Ø 63-2" mm	Units per box: 45/D	E
97305075	<b>DN 65</b>	Ø 75-2 1/2" mm	Units per box: 36/D	E
97305090	<b>DN 80</b>	Ø 90-3" mm	Units per box: 16/D	E
97305110	<b>DN 100</b>	Ø 110-4" mm	Units per box: 12/D	E

### ADAPTOR SOCKET REINFORCED (STAINLESS STEEL RING)

Rabat Group



97305620	<b>DN 15</b>	Ø 20-1/2" mm	Units per box: 40/A	E
97305625	<b>DN 20</b>	Ø 25-3/4" mm	Units per box: 90/B	E
97305632	<b>DN 25</b>	Ø 32-1" mm	Units per box: 64/B	E
97305640	<b>DN 32</b>	Ø 40-1 1/4" mm	Units per box: 70/C	E
97305650	<b>DN 40</b>	Ø 50-1 1/2" mm	Units per box: 96/D	E
97305663	<b>DN 50</b>	Ø 63-2" mm	Units per box: 45/D	E

### ADAPTOR NIPPLE

Rabat Group



97307016	<b>DN 10</b>	Ø 16/20-1/2" mm	Units per box: 80/A	E
97307020	<b>DN 15</b>	Ø 20/25-3/4" mm	Units per box: 50/A	E
97307025	<b>DN 20</b>	Ø 25/32-1" mm	Units per box: 90/B	E
97307032	<b>DN 25</b>	Ø 32/40-1 1/4" mm	Units per box: 96/C	E
97307040	<b>DN 32</b>	Ø 40/50-1 1/2" mm	Units per box: 130/D	E
97307050	<b>DN 40</b>	Ø 50/63-2" mm	Units per box: 72/D	E
97307063	<b>DN 50</b>	Ø 63/75-2 1/2" mm	Units per box: 45/D	E
97307075	<b>DN 65</b>	Ø 75/90-3" mm	Units per box: 45/H	E

**ADAPTOR BUSHES**



97308016	<b>DN 10</b>	Ø 16/20-3/8" mm	Units per box: 100/A	E
97308020	<b>DN 15</b>	Ø 20/25-1/2" mm	Units per box: 70/A	E
97308025	<b>DN 20</b>	Ø 25/32-3/4" mm	Units per box: 40/A	E
97308032	<b>DN 25</b>	Ø 32/40-1" mm	Units per box: 60/B	E
97308040	<b>DN 32</b>	Ø 40/50-1¼" mm	Units per box: 70/C	E
97308050	<b>DN 40</b>	Ø 50/63-1½" mm	Units per box: 60/C	E
97308063	<b>DN 50</b>	Ø 63/75-2" mm	Units per box: 72/D	E
97308066	<b>DN 50*</b>	Ø 63/75-2" mm	Units per box: 72/D	E
97308075	<b>DN 65</b>	Ø 75/90-2½" mm	Units per box: 80/H	E
97308090	<b>DN 80</b>	Ø 90/110-3" mm	Units per box: 45/H	E
97308110	<b>DN 100</b>	Ø 110/125-4" mm	Units per box: 24/H	E

\* long thread

**Rabat Group**

**ADAPTOR BUSHES WITH EXTERIOR O-RING**



97308052	<b>DN 40</b>	Ø 50/63-1½" mm	Units per box: 60/C	E
97308065	<b>DN 50</b>	Ø 63/75-2" mm	Units per box: 72/D	E
97308067	<b>DN 50*</b>	Ø 63/75-2" mm	Units per box: 72/D	E

\* short thread

**Rabat Group**

**ADAPTOR NIPPLE WITH EXTERIOR O-RING**



97307042	<b>DN 40</b>	Ø 50/40-1½" mm	Units per box: 100/D	E
----------	--------------	----------------	----------------------	---

**Rabat Group**

**ELBOW 90° - THREADED**



97201016	<b>DN 10</b>	3/8"	Units per box: 100/A	E
97201020	<b>DN 15</b>	1/2"	Units per box: 50/A	E
97201025	<b>DN 20</b>	3/4"	Units per box: 75/B	E
97201032	<b>DN 25</b>	1"	Units per box: 90/C	E
97201040	<b>DN 32</b>	1 1/4"	Units per box: 100/D	E
97201050	<b>DN 40</b>	1 1/2"	Units per box: 100/H	E
97201063	<b>DN 50</b>	2"	Units per box: 60/H	E
97201075	<b>DN 65</b>	2 1/2"	Units per box: 38/H	E
97201090	<b>DN 80</b>	3"	Units per box: 20/H	E
97201110	<b>DN 100</b>	4"	Units per box: 12/H	E

**Rabat Group**

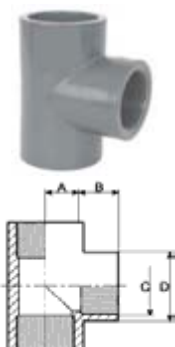
**ELBOW 45° - THREADED**



97202016	<b>DN 10</b>	3/8"	Units per box: 100/A	E
97202020	<b>DN 15</b>	1/2"	Units per box: 60/A	E
97202025	<b>DN 20</b>	3/4"	Units per box: 80/B	E
97202032	<b>DN 25</b>	1"	Units per box: 100/C	E
97202040	<b>DN 32</b>	1 1/4"	Units per box: 120/D	E
97202050	<b>DN 40</b>	1 1/2"	Units per box: 120/H	E
97202063	<b>DN 50</b>	2"	Units per box: 60/H	E
97202075	<b>DN 65</b>	2 1/2"	Units per box: 40/H	E
97202090	<b>DN 80</b>	3"	Units per box: 26/H	E
97202110	<b>DN 100</b>	4"	Units per box: 16/H	E

**Rabat Group**

### T 90° - THREADED



Product Code	DN	Size	Units per box	Rabat Group
97203016	DN 10	3/8"	Units per box: 60/A	E
97203020	DN 15	1/2"	Units per box: 30/A	E
97203025	DN 20	3/4"	Units per box: 45/B	E
97203032	DN 25	1"	Units per box: 60/C	E
97203040	DN 32	1 1/4"	Units per box: 68/D	E
97203050	DN 40	1 1/2"	Units per box: 76/H	E
97203063	DN 50	2"	Units per box: 45/H	E
97203075	DN 65	2 1/2"	Units per box: 27/H	E
97203090	DN 80	3"	Units per box: 14/H	E
97203110	DN 100	4"	Units per box: 9/H	E

**Rabat Group**

### ADAPTADOR SOCKET - THREADED



Product Code	DN	Size	Units per box	Rabat Group
97205016	DN 10	3/8"	Units per box: 40/A	E
97205020	DN 15	1/2"	Units per box: 40/A	E
97205025	DN 20	3/4"	Units per box: 90/B	E
97205032	DN 25	1"	Units per box: 64/B	E
97205040	DN 32	1 1/4"	Units per box: 70/C	E
97205050	DN 40	1 1/2"	Units per box: 96/D	E
97205063	DN 50	2"	Units per box: 45/D	E
97205075	DN 65	2 1/2"	Units per box: 36/D	E
97205090	DN 80	3"	Units per box: 16/D	E
97205110	DN 100	4"	Units per box: 12/D	E

**Rabat Group**

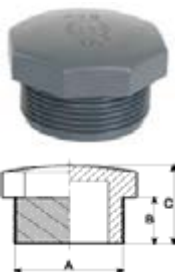
### CAP THREADED



Product Code	DN	Size	Units per box	Rabat Group
97206016	DN 10	3/8"	Units per box: 100/ A	E
97206020	DN 15	1/2"	Units per box: 100/ A	E
97206025	DN 20	3/4"	Units per box: 60/A	E
97206032	DN 25	1"	Units per box: 80/B	E
97206040	DN 32	1 1/4"	Units per box: 70/B	E
97206050	DN 40	1 1/2"	Units per box: 45/B	E
97206063	DN 50	2"	Units per box: 22/C	E
97206075	DN 65	2 1/2"	Units per box: 16/C	E
97206090	DN 80	3"	Units per box: -	E
97206110	DN 100	4"	Units per box: -	E

**Rabat Group**

### PLUG THREADED



Product Code	DN	Size	Units per box	Rabat Group
97207016	DN 10	3/8"	Units per box: 100/ A	E
97207020	DN 15	1/2"	Units per box: 100/ A	E
97207025	DN 20	3/4"	Units per box: 75/A	E
97207032	DN 25	1"	Units per box: 100/B	E
97207040	DN 32	1 1/4"	Units per box: 92/B	E
97207050	DN 40	1 1/2"	Units per box: 125/C	E
97207063	DN 50	2"	Units per box: 75/C	E
97207075	DN 65	2 1/2"	Units per box: 75/D	E
97207090	DN 80	3"	Units per box: 24/C	E
97207110	DN 100	4"	Units per box 12/C	E

**Rabat Group**

### HEXAGON NIPPLES



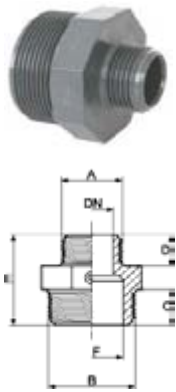
Product Code	DN	Size	Units per box	Rabat Group
97204016	DN 10	3/8"	Units per box: 80/A	E
97204020	DN 15	1/2"	Units per box: 80/A	E
97204025	DN 20	3/4"	Units per box: 50/A	E
97204032	DN 25	1"	Units per box: 75/B	E
97204040	DN 32	1 1/4"	Units per box: 40/B	E
97204050	DN 40	1 1/2"	Units per box: 70/C	E
97204063	DN 50	2"	Units per box: 96/D	E

**Rabat Group**



**REDUCING NIPPLES MALE THREAD**

**Rabat Group**



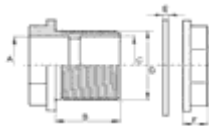
97208020	<b>DN 10</b>	1/2"-3/8"	Units per box: 80/A	E
97208025	<b>DN 10</b>	3/4"-3/8"	Units per box: 60/A	E
97208026	<b>DN 15</b>	3/4"-1/2"	Units per box: 50/A	E
97208032	<b>DN 10</b>	1"-3/8"	Units per box: 110/B	E
97208033	<b>DN 15</b>	1"-1/2"	Units per box: 100/B	E
97208034	<b>DN 20</b>	1"-3/4"	Units per box: 90/B	E
97208040	<b>DN 15</b>	1 1/4"-1/2"	Units per box: 50/B	E
97208041	<b>DN 20</b>	1 1/4"-3/4"	Units per box: 50/B	E
97208042	<b>DN 25</b>	1 1/4"-1"	Units per box: 45/B	E
97208050	<b>DN 20</b>	1 1/2"-3/4"	Units per box: 105/C	E
97208051	<b>DN 25</b>	1 1/2"-1"	Units per box: 105/C	E
97208052	<b>DN 32</b>	1 1/2"-1 1/4"	Units per box: 70/C	E
97208063	<b>DN 25</b>	2"-1"	Units per box: 72/C	E
97208064	<b>DN 32</b>	2"-1 1/4"	Units per box: 72/C	E
97208065	<b>DN 40</b>	2"-1 1/2"	Units per box: 48/C	E

**TABLE DUCT**

**Rabat Group**



97209025	<b>Ø 25-1" mm</b>	Units per box: 75/C	E
97209050	<b>Ø 50-2" mm</b>	Units per box: 50/C	E
97209063	<b>Ø 63-2 1/2" mm</b>	Units per box: 72/H	E



**LONG REDUCING NIPPLES MALE/FEMALE**

**Rabat Group**



97211016	<b>DN 10</b>	3/8"-3/8" mm	Units per box: -	E
97211017	<b>DN 10</b>	3/8"-1/2" mm	Units per box: -	E
97211020	<b>DN 10</b>	1/2"-3/8" mm	Units per box: -	E
97211021	<b>DN 15</b>	1/2"-1/2" mm	Units per box: -	E
97211022	<b>DN 15</b>	1/2"-3/4" mm	Units per box: -	E
97211025	<b>DN 10</b>	3/4"-3/8" mm	Units per box: -	E
97211026	<b>DN 15</b>	3/4"-1/2" mm	Units per box: -	E
97211027	<b>DN 20</b>	3/4"-3/4" mm	Units per box: -	E
97211028	<b>DN 20</b>	3/4"-1" mm	Units per box: -	E
97211032	<b>DN 10</b>	1"-3/8" mm	Units per box: -	E
97211033	<b>DN 15</b>	1"-1/2" mm	Units per box: -	E
97211034	<b>DN 20</b>	1"-3/4" mm	Units per box: -	E
97211035	<b>DN 25</b>	1"-1" mm	Units per box: -	E
97211036	<b>DN 25</b>	1"-1 1/4" mm	Units per box: -	E
97211040	<b>DN 15</b>	1 1/4"-1/2" mm	Units per box: -	E
97211041	<b>DN 20</b>	1 1/4"-3/4" mm	Units per box: -	E
97211042	<b>DN 25</b>	1 1/4"-1" mm	Units per box: -	E
97211043	<b>DN 32</b>	1 1/4"-1 1/4" mm	Units per box: -	E
97211044	<b>DN 32</b>	1 1/4"-1 1/4" mm	Units per box: -	E
97211050	<b>DN 20</b>	1 1/2"-3/4" mm	Units per box: -	E
97211051	<b>DN 25</b>	1 1/2"-1" mm	Units per box: -	E
97211052	<b>DN 32</b>	1 1/2"-1 1/4" mm	Units per box: -	E
97211053	<b>DN 40</b>	1 1/2"-1 1/2" mm	Units per box: -	E
97211054	<b>DN 40</b>	1 1/2"-2" mm	Units per box: -	E
97211063	<b>DN 25</b>	2"-1" mm	Units per box: -	E
97211064	<b>DN 32</b>	2"-1 1/4" mm	Units per box: -	E
97211065	<b>DN 40</b>	2"-1 1/2" mm	Units per box: -	E
97211066	<b>DN 50</b>	2"-2" mm	Units per box: -	E
97211067	<b>DN 50</b>	2"-2 1/2" mm	Units per box: -	E
97211075	<b>DN 32</b>	2 1/2"-1 1/4" mm	Units per box: -	E
97211076	<b>DN 40</b>	2 1/2"-1 1/2" mm	Units per box: -	E
97211077	<b>DN 50</b>	2 1/2"-2" mm	Units per box: -	E



### LONG REDUCING NIPPLES MALE/FEMALE

Rabat Group



97211078	<b>DN 65</b>	2 1/2"-2 1/2" mm	Units per box: -	E
97211079	<b>DN 65</b>	2 1/2"-3" mm	Units per box: -	E
97211090	<b>DN 40</b>	3"-1 1/2" mm	Units per box: -	E
97211091	<b>DN 50</b>	3"-2" mm	Units per box: -	E
97211092	<b>DN 65</b>	3"-2 1/2" mm	Units per box: -	E
97211093	<b>DN 80</b>	3"-3" mm	Units per box: -	E
97211094	<b>DN 80</b>	3"-4" mm	Units per box: -	E
97211110	<b>DN 50</b>	4"-2" mm	Units per box: -	E
97211111	<b>DN 65</b>	4"-2 1/2" mm	Units per box: -	E
97211112	<b>DN 80</b>	4"-3" mm	Units per box: -	E
97211113	<b>DN 100</b>	4"-4" mm	Units per box: -	E

### SHORT REDUCING NIPPLES MALE/FEMALE

Rabat Group



97212020	<b>1/2" - 1/4"</b>	Units per box: -	E
97212025	<b>3/4" - 1/8"</b>	Units per box: -	E
97212026	<b>3/4" - 1/4"</b>	Units per box: -	E
97212027	<b>3/4" - 1/2"</b>	Units per box: -	E
97212032	<b>1" - 1/4"</b>	Units per box: -	E
97212033	<b>1" - 3/4"</b>	Units per box: -	E
97212040	<b>1 1/4" - 1"</b>	Units per box: -	E
97212050	<b>1 1/2" - 1 1/4"</b>	Units per box: -	E
97212063	<b>2" - 1 1/2"</b>	Units per box: -	E
97212075	<b>2 1/2" - 2"</b>	Units per box: -	E
97212090	<b>3" - 1/2"</b>	Units per box: -	E
97212110	<b>4" - 3"</b>	Units per box: -	E

### PIPE CLIPS

Rabat Group



#### OPEN PIPE CLIPS:

97128020	<b>Ø 20 mm</b>	Units per box: 500/C	E
97128025	<b>Ø 25 mm</b>	Units per box: 400/C	E
97128032	<b>Ø 32 mm</b>	Units per box: 250/C	E
97128040	<b>Ø 40 mm</b>	Units per box: 150/C	E
97128050	<b>Ø 50 mm</b>	Units per box: 160/C	E
97128063	<b>Ø 63 mm</b>	Units per box: 100/C	E
97128075	<b>Ø 75 mm</b>	Units per box: 60/C	E
97128090	<b>Ø 90 mm</b>	Units per box: 40/C	E
97128110	<b>Ø 110 mm</b>	Units per box: 24/C	E
97128125	<b>Ø 125 mm</b>	Units per box: 16/C	E
97128140	<b>Ø 140 mm</b>	Units per box: -	E
97128160	<b>Ø 160 mm</b>	Units per box: 12/C	E
97128200	<b>Ø 200 mm</b>	Units per box: -	E



#### BRIDLE CLAMP:

97129050	<b>Ø 50 mm</b>	Units per box: 160/B	E
97129063	<b>Ø 63 mm</b>	Units per box: 100/A	E
97129075	<b>Ø 75 mm</b>	Units per box: 60/B	E
97129090	<b>Ø 90 mm</b>	Units per box: 40/A	E
97129110	<b>Ø 110 mm</b>	Units per box: 24/A	E
97129125	<b>Ø 125 mm</b>	Units per box: 16/A	E
97129140	<b>Ø 140 mm</b>	Units per box: -	E
97129160	<b>Ø 160 mm</b>	Units per box: 12/A	E
97129200	<b>Ø 200 mm</b>	Units per box: -	E

**FEMALE SOCKET (EPDM O-rings)**



97401016	<b>DN 10</b>	Ø 16 mm	Units per box: 100/ P	E
97401020	<b>DN 15</b>	Ø 20 mm	Units per box: 100/ P	E
97401025	<b>DN 20</b>	Ø 25 mm	Units per box: 100/Q	E
97401032	<b>DN 25</b>	Ø 32 mm	Units per box: 100/R	E
97401040	<b>DN 32</b>	Ø 40 mm	Units per box: 100/S	E
97401050	<b>DN 40</b>	Ø 50 mm	Units per box: 72/H	E
97401063	<b>DN 50</b>	Ø 63 mm	Units per box: 60/T	E
97401075	<b>DN 65</b>	Ø 75 mm	Units per box: 12/U	E
97401090	<b>DN 80</b>	Ø 90 mm	Units per box: 12/U	E
97401110	<b>DN 100</b>	Ø 110 mm	Units per box: 12/I	E

**Rabat Group**

**FEMALE SOCKET - NEW MODEL**



97414016	<b>DN 10</b>	Ø 16 mm	Units per box: 100/ B	E
97414020	<b>DN 15</b>	Ø 20 mm	Units per box: 100/ P	E
97414025	<b>DN 20</b>	Ø 25 mm	Units per box: 100/C	E
97414032	<b>DN 25</b>	Ø 32 mm	Units per box: 100/Q	E
97414040	<b>DN 32</b>	Ø 40 mm	Units per box: 100/U	E
97414050	<b>DN 40</b>	Ø 50 mm	Units per box: 100/H	E
97414063	<b>DN 50</b>	Ø 63 mm	Units per box: 72/T	E
97414075	<b>DN 65</b>	Ø 75 mm	Units per box: 16/R	E
97414090	<b>DN 80</b>	Ø 90 mm	Units per box: 18/S	E

**Rabat Group**

**FEMALE SOCKET - MIX**



97403016	<b>DN 10</b>	Ø 16-3/8" mm	Units per box: 100/ P	E
97403020	<b>DN 15</b>	Ø 20-1/2" mm	Units per box: 100/ P	E
97403025	<b>DN 20</b>	Ø 25-3/4" mm	Units per box: 100/Q	E
97403032	<b>DN 25</b>	Ø 32-1" mm	Units per box: 100/R	E
97403040	<b>DN 32</b>	Ø 40-1 1/4" mm	Units per box: 100/S	E
97403050	<b>DN 40</b>	Ø 50-1 1/2" mm	Units per box: 72/H	E
97403063	<b>DN 50</b>	Ø 63-2" mm	Units per box: 60/T	E
97403075	<b>DN 65</b>	Ø 75-2 1/2" mm	Units per box: 12/U	E
97403090	<b>DN 80</b>	Ø 90-3" mm	Units per box: 12/U	E
97403110	<b>DN 100</b>	Ø 110-4" mm	Units per box: 12/I	E

**Rabat Group**

**FEMALE SOCKET - THREADED**



97402016	<b>DN 10</b>	3/8"	Units per box: 100/ P	E
97402020	<b>DN 15</b>	1/2"	Units per box: 100/ P	E
97402025	<b>DN 20</b>	3/4"	Units per box: 100/Q	E
97402032	<b>DN 25</b>	1"	Units per box: 100/R	E
97402040	<b>DN 32</b>	1 1/4"	Units per box: 100/S	E
97402050	<b>DN 40</b>	1 1/2"	Units per box: 72/H	E
97402063	<b>DN 50</b>	2"	Units per box: 60/T	E
97402075	<b>DN 65</b>	2 1/2"	Units per box: 12/U	E
97402090	<b>DN 80</b>	3"	Units per box: 12/U	E
97402110	<b>DN 100</b>	4"	Units per box: 12/I	E

**Rabat Group**

**FEMALE SOCKET AND MALE THREADED**



97406050	<b>DN 40</b>	Ø 50-11/2" mm	Units per box: 72/H	E
97406063	<b>DN 50</b>	Ø 63-2" mm	Units per box: 60/T	E

**Rabat Group**

### FEMALE SOCKET / MALE THREADED



Product Code	DN	Ø	Units per box	Rabat Group
97404020	DN 15	Ø 20-1/2" mm	Units per box: 25/A	E
97404025	DN 20	Ø 25-3/4" mm	Units per box: 30/B	E
97404032	DN 25	Ø 32-1" mm	Units per box: 50/C	E
97404040	DN 32	Ø 40-1 1/4" mm	Units per box: 36/C	E
97404050	DN 40	Ø 50-1 1/2" mm	Units per box: 75/S	E
97404063	DN 50	Ø 63-2" mm	Units per box: 50/H	E
97404075	DN 65	Ø 75-2 1/2" mm	Units per box: 12/R	E
97404090	DN 80	Ø 90-3" mm	Units per box: 18/S	E

### FEMALE SOCKET AND MALE THREADED

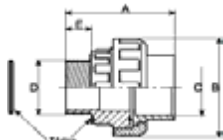


Product Code	DN	Ø	Units per box	Rabat Group
97407050	DN 32	Ø 40-1 1/2" mm	Units per box: 45/D	E
97407063	DN 40	Ø 50-2" mm	Units per box: 60/H	E

### FEMALE SOCKET AND MALE THREADED - MIX WITH EXTERNAL O-RING



Product Code	DN	Ø	Units per box	Rabat Group
97405050	DN 40	Ø 50 - 1 1/2" mm	Units per box: 50/D	E
97405063	DN 50	Ø 63 - 2" mm	Units per box: 72/H	E



### PVC HOSES



Product Code	Ø	Length (m)	Working press.	Rabat Group
97603015	Ø 16 mm	25	7 bar	E
97603020	Ø 20 mm	25	7 bar	E
97603025	Ø 25 mm	25	7 bar	E
97603032	Ø 32 mm	25	5 bar	E
97603040	Ø 40 mm	25	5 bar	E
97603050	Ø 50 mm	25	5 bar	E
97603063	Ø 63 mm	25	5 bar	E
97603075	Ø 75 mm	25	4 bar	E
97603090	Ø 90 mm	25	4 bar	E
97603110	Ø 110 mm	25	3 bar	E
97603125	Ø 125 mm	25	3 bar	E

### SOLVENT CEMENT



Product Code	Weight	Unit	Units per box	Rabat Group
97611000	1000 g	can	Units per box: 12	E
97611500	500 g	can	Units per box: 24	E
97611250	250 g	can	Units per box: 36	E
97611125	125 g	tube	Units per box: 96	E
97611001	Pinsel 500 g			E
97611002	Pinsel 1000 g			E

### CLEANER



Product Code	Weight	Units per box	Rabat Group
97621000	Can 1000 g	Units per box: 12	E
97620500	Can 500 g	Units per box: 24	E



**P.T.F.E. THREAD - WRAP TAPE**

97630075	<b>12 mm - width</b>	12 m	Units per box: 200	E
97630150	<b>19 mm - width</b>	50 m	Units per box: 25	E

**Rabat Group****CLAMP SADDLE**

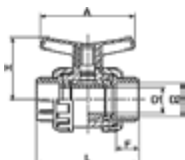
	<b>Ø mm</b>	<b>Nr. of screws</b>		<b>Rabat Group</b>
97601020	<b>20 - 1/2"</b>	2	Units per box: 180	E
97601025	<b>25 - 1/2"</b>	2	Units per box: 180	E
97601026	<b>25 - 3/4"</b>	2	Units per box: 180	E
97601032	<b>32 - 1/2"</b>	2	Units per box: 180	E
97601033	<b>32 - 3/4"</b>	2	Units per box: 180	E
97601034	<b>32-1"</b>	2	Units per box: 180	E
97601040	<b>40 - 1/2"</b>	2	Units per box: 150	E
97601041	<b>40 - 3/4"</b>	2	Units per box: 150	E
97601042	<b>40 - 1"</b>	2	Units per box: 150	E
97601050	<b>50 - 1/2"</b>	2	Units per box: 100	E
97601051	<b>50 - 3/4"</b>	2	Units per box: 100	E
97601052	<b>50 - 1"</b>	2	Units per box: 100	E
97601053	<b>50-11/4"</b>	2	Units per box: 100	E
97601063	<b>63 - 1/2"</b>	4	Units per box: 100	E
97601064	<b>63 - 3/4"</b>	4	Units per box: 100	E
97601065	<b>63 - 1"</b>	4	Units per box: 100	E
97601066	<b>63 - 11/4"</b>	4	Units per box: 100	E
97601067	<b>63 - 11/2"</b>	4	Units per box: 100	E
97601075	<b>75 - 1/2"</b>	4	Units per box: 80	E
97601076	<b>75 - 3/4"</b>	4	Units per box: 80	E
97601077	<b>75 - 1"</b>	4	Units per box: 80	E
97601078	<b>75 - 11/4"</b>	4	Units per box: 80	E
97601079	<b>75 - 11/2"</b>	4	Units per box: 70	E
97601080	<b>75 - 2"</b>	4	Units per box: 70	E
97601090	<b>90 - 1/2"</b>	4	Units per box: 60	E
97601091	<b>90 - 3/4"</b>	4	Units per box: 60	E
97601092	<b>90 - 1"</b>	4	Units per box: 60	E
97601093	<b>90 - 11/4"</b>	4	Units per box: 60	E
97601094	<b>90 - 11/2"</b>	4	Units per box: 60	E
97601095	<b>90 - 2"</b>	4	Units per box: 55	E
97601109	<b>110-1/2"</b>	4	Units per box: 40	E
97601110	<b>110 - 3/4"</b>	4	Units per box: 40	E
97601111	<b>110 - 1"</b>	4	Units per box: 40	E
97601112	<b>110 - 11/4"</b>	4	Units per box: 40	E
97601113	<b>110 - 11/2"</b>	4	Units per box: 40	E
97601114	<b>110 - 2"</b>	4	Units per box: 40	E
97601115	<b>110-21/2"</b>	4	Units per box: 35	E
97601125	<b>125 - 3/4"</b>	4	Units per box: 35	E
97601126	<b>125 - 1"</b>	4	Units per box: 35	E
97601127	<b>125 - 11/4"</b>	4	Units per box: 35	E
97601128	<b>125 - 11/2"</b>	4	Units per box: 35	E
97601129	<b>125 - 2"</b>	4	Units per box: 35	E
97601130	<b>125-21/2"</b>	4	Units per box: 35	E
97601140	<b>140 - 1"</b>	4	Units per box: 25	E
97601141	<b>140 - 11/4"</b>	6	Units per box: 25	E
97601142	<b>140 - 11/2"</b>	6	Units per box: 25	E
97601143	<b>140 - 2"</b>	6	Units per box: 25	E
97601144	<b>140 - 3"</b>	6	Units per box: 15	E
97601160	<b>160 - 1"</b>	6	Units per box: 20	E
97601161	<b>160 - 11/4"</b>	6	Units per box: 20	E
97601162	<b>160 - 11/2"</b>	6	Units per box: 20	E
97601163	<b>160 - 2"</b>	6	Units per box: 20	E
97601164	<b>160 - 3"</b>	6	Units per box: 15	E
97601165	<b>160-4"</b>	6	Units per box: 15	E

### CLAMP SADDLE



		Ø mm	Nr. of screws		Rabat Group
97601199		<b>200-1"</b>	6	Units per box: 10	E
97601200		<b>200 - 1 1/4"</b>	6	Units per box: 10	E
97601201		<b>200 - 1 1/2"</b>	6	Units per box: 10	E
97601202		<b>200 - 2"</b>	6	Units per box: 8	E
97601203		<b>200 - 3"</b>	6	Units per box: 8	E
97601204		<b>200 - 4"</b>	6	Units per box: 8	E
97601225		<b>225-1"</b>	6	Units per box: 6	E
97601226		<b>225-1 1/4"</b>	6	Units per box: 6	E
97601227		<b>225-1 1/2"</b>	6	Units per box: 6	E
97601228		<b>225-2"</b>	6	Units per box: 6	E
97601229		<b>225-3"</b>	6	Units per box: 6	E
97601230		<b>225-4"</b>	6	Units per box: 6	E
97601250		<b>250-1"</b>	6	Units per box: 4	E
97601251		<b>250-1 1/4"</b>	6	Units per box: 4	E
97601252		<b>250-1 1/2"</b>	6	Units per box: 4	E
97601253		<b>250-2"</b>	6	Units per box: 4	E
97601254		<b>250-3"</b>	6	Units per box: 4	E
97601255		<b>250-4"</b>	6	Units per box: 4	E
97601315		<b>315-1"</b>	6	Units per box: 3	E
97601316		<b>315-1 1/4"</b>	6	Units per box: 3	E
97601317		<b>315-1 1/2"</b>	6	Units per box: 3	E
97601318		<b>315-2"</b>	6	Units per box: 3	E
97601319		<b>315-3"</b>	6	Units per box: 3	E
97601320		<b>315-4"</b>	6	Units per box: 3	E

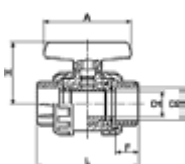
### BALL VALVES, PE GREEN HANDLE, HDPE SEATS, EPDM O-RINGS



					Rabat Group
91010016 *	<b>DN 10</b>	Ø 16 mm		Units per box: 48/N	B
91010020 *	<b>DN 15</b>	Ø 20 mm		Units per box: 48/N	B
91010025 *	<b>DN 20</b>	Ø 25 mm		Units per box: 48/N	B
91010032 *	<b>DN 25</b>	Ø 32 mm		Units per box: 30/N	B
91010040 *	<b>DN 32</b>	Ø 40 mm		Units per box: 36/I	B
91010050 *	<b>DN 40</b>	Ø 50 mm		Units per box: 24/I	B
91010063 *	<b>DN 50</b>	Ø 63 mm		Units per box: 16/I	B
91010075 **	<b>DN 65</b>	Ø 75 mm		Units per box: 6/J	B
91010090 **	<b>DN 65</b>	Ø 90 mm		Units per box: 6/J	B
91010091 **	<b>DN 80</b>	Ø 90 mm		Units per box: 6/L	B
91010100 **	<b>DN 80</b>	Ø 110 mm		Units per box: 6/L	B
91010110 **	<b>DN 100</b>	Ø 110 mm		Units per box: 4/K	B
91010125 **	<b>DN 100</b>	Ø 125 mm		Units per box: 4/K	B

\* PN 16, \*\* PN 10

### BALL VALVES, PE RED HANDLE, PTFE SEATS, EPDM O-RINGS



					Rabat Group
91110016 *	<b>DN 10</b>	Ø 16 mm		Units per box: 48/N	B
91110020 *	<b>DN 15</b>	Ø 20 mm		Units per box: 48/N	B
91110025 *	<b>DN 20</b>	Ø 25 mm		Units per box: 48/N	B
91110032 *	<b>DN 25</b>	Ø 32 mm		Units per box: 30/N	B
91110040 *	<b>DN 32</b>	Ø 40 mm		Units per box: 36/I	B
91110050 *	<b>DN 40</b>	Ø 50 mm		Units per box: 24/I	B
91110063 *	<b>DN 50</b>	Ø 63 mm		Units per box: 16/I	B
91110075 **	<b>DN 65</b>	Ø 75 mm		Units per box: 6/J	B
91110090 **	<b>DN 65</b>	Ø 90 mm		Units per box: 6/J	B
91110091 **	<b>DN 80</b>	Ø 90 mm		Units per box: 6/L	B
91110100 **	<b>DN 80</b>	Ø 110 mm		Units per box: 6/L	B
91110110 **	<b>DN 100</b>	Ø 110 mm		Units per box: 4/K	B
91110125 **	<b>DN 100</b>	Ø 125 mm		Units per box: 4/K	B

\* PN 16, \*\* PN 10

## BALL VALVES, PE RED HANDLE, PTFE SEATS, FPM O-RINGS

Rabat  
Group



91116016 *	<b>DN 10</b>	Ø 16 mm	Units per box: 48/N	B
91116020 *	<b>DN 15</b>	Ø 20 mm	Units per box: 48/N	B
91116025 *	<b>DN 20</b>	Ø 25 mm	Units per box: 48/N	B
91116032 *	<b>DN 25</b>	Ø 32 mm	Units per box: 30/N	B
91116040 *	<b>DN 32</b>	Ø 40 mm	Units per box: 36/I	B
91116050 *	<b>DN 40</b>	Ø 50 mm	Units per box: 24/I	B
91116063 *	<b>DN 50</b>	Ø 63 mm	Units per box: 16/I	B
91116075 **	<b>DN 65</b>	Ø 75 mm	Units per box: 6/J	B
91116090 **	<b>DN 65</b>	Ø 90 mm	Units per box: 6/J	B
91116091 **	<b>DN 80</b>	Ø 90 mm	Units per box: 6/L	B
91116110 **	<b>DN 100</b>	Ø 110 mm	Units per box: 4/K	B
91116125 **	<b>DN 100</b>	Ø 125 mm	Units per box: 4/K	B

\* PN 16, \*\* PN 10

## 3 WAY BALL VALVES (T) PTFE SEAT, EPDM O-RINGS

Rabat  
Group



92510016	<b>DN 15</b>	Ø 16 mm	Units per box: 40/M	B
92510020	<b>DN 15</b>	Ø 20 mm	Units per box: 40/M	B
92510025	<b>DN 20</b>	Ø 25 mm	Units per box: 28/M	B
92510032	<b>DN 25</b>	Ø 32 mm	Units per box: 36/K	B
92510040	<b>DN 32</b>	Ø 40 mm	Units per box: 22/K	B
92510050	<b>DN 40</b>	Ø 50 mm	Units per box: 12/K	B
92510063	<b>DN 50</b>	Ø 63 mm	Units per box: 10/K	B

## PTFE SEAT, FPM O-RING

Rabat  
Group



92516016	<b>DN 15</b>	Ø 16 mm	Units per box: 40/M	B
92516020	<b>DN 15</b>	Ø 20 mm	Units per box: 40/M	B
92516025	<b>DN 20</b>	Ø 25 mm	Units per box: 28/M	B
92516032	<b>DN 25</b>	Ø 32 mm	Units per box: 36/K	B
92516040	<b>DN 32</b>	Ø 40 mm	Units per box: 22/K	B
92516050	<b>DN 40</b>	Ø 50 mm	Units per box: 12/K	B
92516063	<b>DN 50</b>	Ø 63 mm	Units per box: 10/K	B

## 3 WAY BALL VALVES (L) PTFE SEAT, EPDM O-RING

Rabat  
Group



92510017	<b>DN 15</b>	Ø 16 mm	Units per box: 40/M	B
92510021	<b>DN 15</b>	Ø 20 mm	Units per box: 40/M	B
92510026	<b>DN 20</b>	Ø 25 mm	Units per box: 28/M	B
92510033	<b>DN 25</b>	Ø 32 mm	Units per box: 36/K	B
92510041	<b>DN 32</b>	Ø 40 mm	Units per box: 22/K	B
92510051	<b>DN 40</b>	Ø 50 mm	Units per box: 12/K	B
92510064	<b>DN 50</b>	Ø 63 mm	Units per box: 10/K	B

## PTFE SEAT, FPM O-RING

Rabat  
Group



92516017	<b>DN 15</b>	Ø 16 mm	Units per box: 40/M	B
92516021	<b>DN 15</b>	Ø 20 mm	Units per box: 40/M	B
92516026	<b>DN 20</b>	Ø 25 mm	Units per box: 28/M	B
92516033	<b>DN 25</b>	Ø 32 mm	Units per box: 36/K	B
92516041	<b>DN 32</b>	Ø 40 mm	Units per box: 22/K	B
92516051	<b>DN 40</b>	Ø 50 mm	Units per box: 12/K	B
92516064	<b>DN 50</b>	Ø 63 mm	Units per box: 10/K	B

### MONTAGE INSTRUCTIONS



Once you have the valve's sleeve glued, start to assemble in the following order:

1. The position of the handle must be like the picture, aligned to the A & B sockets
2. Fit tightly the nut C to the end of the thread, by hand
3. Tight, by hand, gradual and alternativ. the nuts A & B to the end of the thread.
4. Fit tightly again all the nuts by hand

### OPEN & CLOSE POSITION OF THE VALVE CONNECTIONS BY EACH 90° TURN IN THE CLOCK SENSE DIRECTION

POSITION T				
1a	2a	3a	4a	5a
▶◀ ▲	▶◀ ▲	▶◀ △	▶◀ ▲	▶◀ ▲
0°	90°	180°	270°	360°

POSITION L				
1a	2a	3a	4a	5a
▶◀ ▲	▶◀ ▲	▶◀ △	▶◀ △	▶◀ ▲
0°	90°	180°	270°	360°

▷ CLOSE  
▶ OPEN

### CHECK VALVES EPDM SEAT, STAINLESS STEEL SPRING AISI 302

Rabat  
Group



91310016	<b>DN 10</b>	Ø 16 mm	Units per box: 48/N	B
91310020	<b>DN 15</b>	Ø 20 mm	Units per box: 48/N	B
91310025	<b>DN 20</b>	Ø 25 mm	Units per box: 48/N	B
91310032	<b>DN 25</b>	Ø 32 mm	Units per box: 30/N	B
91310040	<b>DN 32</b>	Ø 40 mm	Units per box: 36/I	B
91310050	<b>DN 40</b>	Ø 50 mm	Units per box: 24/I	B
91310063	<b>DN 50</b>	Ø 63 mm	Units per box: 16/I	B
91310075	<b>DN 65</b>	Ø 75 mm	Units per box: 6/M	B
91310090	<b>DN 80</b>	Ø 90 mm	Units per box: 4/M	B

### CHECK VALVES FPM SEAT, STAINLESS STEEL SPRING AISI 302

Rabat  
Group



91316016	<b>DN 10</b>	Ø 16 mm	Units per box: 48/N	B
91316020	<b>DN 15</b>	Ø 20 mm	Units per box: 48/N	B
91316025	<b>DN 20</b>	Ø 25 mm	Units per box: 48/N	B
91316032	<b>DN 25</b>	Ø 32 mm	Units per box: 30/N	B
91316040	<b>DN 32</b>	Ø 40 mm	Units per box: 36/I	B
91316050	<b>DN 40</b>	Ø 50 mm	Units per box: 24/I	B
91316063	<b>DN 50</b>	Ø 63 mm	Units per box: 16/I	B
91316075	<b>DN 65</b>	Ø 75 mm	Units per box: 6/M	B
91316090	<b>DN 80</b>	Ø 90 mm	Units per box: 4/M	B



## FOOT VALVES EPDM SEAT, STAINLESS STEEL SPRING AISI 302

Rabat  
Group

91410016	<b>DN 10</b>	Ø 16 mm	Units per box: 68/M	B
91410020	<b>DN 15</b>	Ø 20 mm	Units per box: 68/M	B
91410025	<b>DN 20</b>	Ø 25 mm	Units per box: 68/M	B
91410032	<b>DN 25</b>	Ø 32 mm	Units per box: 50/M	B
91410040	<b>DN 32</b>	Ø 40 mm	Units per box: 30/M	B
91410050	<b>DN 40</b>	Ø 50 mm	Units per box: 12/M	B
91410063	<b>DN 50</b>	Ø 63 mm	Units per box: 12/M	B
91410075	<b>DN 65</b>	Ø 75 mm	Units per box: 4/M	B
91410090	<b>DN 80</b>	Ø 90 mm	Units per box: 4/S	B

## FOOT VALVES FTM SEAT, STAINLESS STEEL SPRING AISI 302

Rabat  
Group

91416016	<b>DN 10</b>	Ø 16 mm	Units per box: 68/M	B
91416020	<b>DN 15</b>	Ø 20 mm	Units per box: 68/M	B
91416025	<b>DN 20</b>	Ø 25 mm	Units per box: 68/M	B
91416032	<b>DN 25</b>	Ø 32 mm	Units per box: 50/M	B
91416040	<b>DN 32</b>	Ø 40 mm	Units per box: 30/M	B
91416050	<b>DN 40</b>	Ø 50 mm	Units per box: 12/M	B
91416063	<b>DN 50</b>	Ø 63 mm	Units per box: 12/M	B
91416075	<b>DN 65</b>	Ø 75 mm	Units per box: 4/M	B
91416090	<b>DN 80</b>	Ø 90 mm	Units per box: 4/S	B

## WAFER CHECK VALVES - STANDARD EPDM SEAT AND JOINT

Rabat  
Group

with steel support for an easy mounting of the valve between NP 10 bar flanges.



92710040	<b>DN 32</b>	Ø 40 mm	Units per box: 1	B
92710050	<b>DN 40</b>	Ø 50 mm	Units per box: 1	B
92710063	<b>DN 50</b>	Ø 63 mm	Units per box: 1	B
92710075	<b>DN 65</b>	Ø 75 mm	Units per box: 1	B
92710090	<b>DN 80</b>	Ø 90 mm	Units per box: 1	B
92710110	<b>DN 100</b>	Ø 110 mm	Units per box: 1	B
92710125	<b>DN 110</b>	Ø 125 mm	Units per box: 1	B
92710140	<b>DN 125</b>	Ø 140 mm	Units per box: 1	B
92710160	<b>DN 150</b>	Ø 160 mm	Units per box: 1	B
92710200	<b>DN 175</b>	Ø 200 mm	Units per box: 1	B
92710225	<b>DN 200</b>	Ø 225 mm	Units per box: 1	B
92710280	<b>DN 250</b>	Ø 280 mm	Units per box: 1	B
92710315	<b>DN 300</b>	Ø 315 mm	Units per box: 1	B

## WAFER CHECK VALVES WITH SPRING EPDM SEAT AND JOINT

Rabat  
Group

with steel support for an easy mounting of the valve between NP 10 bar flanges.



92740040	<b>DN 32</b>	Ø 40 mm	Units per box: 1	B
92740050	<b>DN 40</b>	Ø 50 mm	Units per box: 1	B
92740063	<b>DN 50</b>	Ø 63 mm	Units per box: 1	B
92740075	<b>DN 65</b>	Ø 75 mm	Units per box: 1	B
92740090	<b>DN 80</b>	Ø 90 mm	Units per box: 1	B
92740110	<b>DN 100</b>	Ø 110 mm	Units per box: 1	B
92740125	<b>DN 110</b>	Ø 125 mm	Units per box: 1	B
92740140	<b>DN 125</b>	Ø 140 mm	Units per box: 1	B
92740160	<b>DN 150</b>	Ø 160 mm	Units per box: 1	B
92740200	<b>DN 175</b>	Ø 200 mm	Units per box: 1	B
92740225	<b>DN 200</b>	Ø 225 mm	Units per box: 1	B
92740280	<b>DN 250</b>	Ø 280 mm	Units per box: 1	B
92740315	<b>DN 300</b>	Ø 315 mm	Units per box: 1	B

### WAFER CHECK VALVES WITH FLANGES COMPLETE - EPDM SEAT AND JOINT

with steel support for an easy mounting of the valve between NP 10 bar flanges.

Rabat  
Group



92730040	<b>DN 32</b>	Ø 40 mm	Units per box: 1	B
92730050	<b>DN 40</b>	Ø 50 mm	Units per box: 1	B
92730063	<b>DN 50</b>	Ø 63 mm	Units per box: 1	B
92730075	<b>DN 65</b>	Ø 75 mm	Units per box: 1	B
92730090	<b>DN 80</b>	Ø 90 mm	Units per box: 1	B
92730110	<b>DN 100</b>	Ø 110 mm	Units per box: 1	B
92730125	<b>DN 100</b>	Ø 125 mm	Units per box: 1	B
92730140	<b>DN 125</b>	Ø 140 mm	Units per box: 1	B
92730160	<b>DN 150</b>	Ø 160 mm	Units per box: 1	B
92730200	<b>DN 150</b>	Ø 200 mm	Units per box: 1	B
92730225	<b>DN 200</b>	Ø 225 mm	Units per box: 1	B
92730250*	<b>DN 225</b>	Ø 250 mm	Units per box: 1	B
92730280	<b>DN 250</b>	Ø 280 mm	Units per box: 1	B
92730315	<b>DN 300</b>	Ø 315 mm	Units per box: 1	B

\*on requested

### WAFER TYPE BUTTERFLY VALVE EPDM SEAT AND O-RINGS MODEL "FLANGE"

Rabat  
Group



92100001	<b>DN 50</b>	Ø 2"-63 mm	Units per box: 15/K	B
92100002	<b>DN 65</b>	Ø 2 1/2"-75mm	Units per box: 15/K	B
92100003	<b>DN 80</b>	Ø 3"-90 mm	Units per box: 15/K	B
92100004	<b>DN 100</b>	Ø 4"-110 mm	Units per box: 10/T	B
92100005	<b>DN 125</b>	Ø 5"-125,140 mm	Units per box: 10/T	B
92100006	<b>DN 150</b>	Ø 6"-160 mm	Units per box: 8/K	B
92100008	<b>DN 200</b>	Ø 8"-200 mm	Units per box: 4/K	B
92100010	<b>DN 250</b>	Ø 10"-250 mm	Units per box: 1/M	B
92100012	<b>DN 300</b>	Ø 12"-315 mm	Units per box: 1/X	B

### WAFER TYPE BUTTERFLY VALVE FPM SEAT AND O-RINGS MODEL "FLANGE"

Rabat  
Group



92160001	<b>DN 50</b>	Ø 2"-63 mm	Units per box: 15/K	B
92160002	<b>DN 65</b>	Ø 2 1/2"-75mm	Units per box: 15/K	B
92160003	<b>DN 80</b>	Ø 3"-90 mm	Units per box: 15/K	B
92160004	<b>DN 100</b>	Ø 4"-110 mm	Units per box: 10/T	B
92160005	<b>DN 125</b>	Ø 5"-125,140 mm	Units per box: 10/T	B
92160006	<b>DN 150</b>	Ø 6"-160 mm	Units per box: 8/K	B
92160008	<b>DN 200</b>	Ø 8"-200 mm	Units per box: 4/K	B
92160010	<b>DN 250</b>	Ø 10"-250 mm	Units per box: 1/M	B
92160012	<b>DN 300</b>	Ø 12"-315 mm	Units per box: 1/X	B

### WAFER TYPE BUTTERFLY VALVE EPDM SEAT AND O-RINGS MODEL "SOCKET"

Rabat  
Group



92200075	<b>DN 65</b>	Ø 75 mm	Units per box: 12/K	B
92200090	<b>DN 80</b>	Ø 90 mm	Units per box: 9/K	B
92200110	<b>DN 100</b>	Ø 110 mm	Units per box: 6K	B
92200125	<b>DN 125</b>	Ø 125 mm	Units per box: 4/T	B
92200140	<b>DN 125</b>	Ø 140 mm	Units per box: 4/T	B
92200160	<b>DN 150</b>	Ø 160 mm	Units per box: 4/K	B
92200200	<b>DN 200</b>	Ø 200 mm	Units per box: 1/D	B

## WAFFER TYPE BUTTERFLY VALVE FPM SEAT AND O-RINGS MODEL "SOCKET"

Rabat  
Group

92260075	<b>DN 65</b>	Ø 75 mm	Units per box: 12/K	B
92260090	<b>DN 80</b>	Ø 90 mm	Units per box: 9/K	B
92260110	<b>DN 100</b>	Ø 110 mm	Units per box: 6/K	B
92260125	<b>DN 125</b>	Ø 125 mm	Units per box: 4/T	B
92260140	<b>DN 125</b>	Ø 140 mm	Units per box: 4/T	B
92260160	<b>DN 150</b>	Ø 160 mm	Units per box: 4/K	B
92260200	<b>DN 200</b>	Ø 200 mm	Units per box: 1/D	B

## BUTTERFLY VALVE WITH FLANGE ADAPTORS EPDM SEAT AND JOINT MODEL "BACKING RING"

Rabat  
Group

92300063	<b>Ø 2"-63 mm</b>	Units per box: 9/K	B
92300075	<b>Ø 2 1/2"-75mm</b>	Units per box: 6/K	B
92300090	<b>Ø 3"-90 mm</b>	Units per box: 6/K	B
92300110	<b>Ø 4"-110 mm</b>	Units per box: 4/T	B
92300125	<b>Ø 5"-125 mm</b>	Units per box: 4/K	B
92300140	<b>Ø 5"-140 mm</b>	Units per box: 4/K	B
92300160	<b>Ø 6"-160 mm</b>	Units per box: 1/D	B
92300200	<b>Ø 8"-200 mm</b>	Units per box: 1/S	B
92300225	<b>Ø 8"-225 mm</b>	Units per box: 1/S	B
92300250	<b>Ø 10"-250 mm</b>	Units per box: 1/K	B
92300315	<b>Ø 12"315 mm</b>	Units per box: 1/X	B

## BUTTERFLY VALVE WITH FLANGE ADAPTORS FPM SEAT AND JOINT MODEL "BACKING RING"

Rabat  
Group

92360063	<b>Ø 2"-63 mm</b>	Units per box: 6/K	B
92360075	<b>Ø 2 1/2"-75mm</b>	Units per box: 6/K	B
92360090	<b>Ø 3"-90 mm</b>	Units per box: 6/K	B
92360110	<b>Ø 4"-110 mm</b>	Units per box: 4/T	B
92360125	<b>Ø 5"-125 mm</b>	Units per box: 4/K	B
92360140	<b>Ø 5"-140 mm</b>	Units per box: 4/K	B
92360160	<b>Ø 6"-160 mm</b>	Units per box: 1/D	B
92360200	<b>Ø 8"-200 mm</b>	Units per box: 1/S	B
92360225	<b>Ø 8"-225 mm</b>	Units per box: 1/S	B
92360250	<b>Ø 10"-250 mm</b>	Units per box: 1/K	B
92360315*	<b>Ø 12"-315 mm</b>	Units per box: 1/X	B

\* only available with gear operator

## BUTTERFLY VALVE WITH SOCKET FLANGES EPDM SEAT O-RINGS MODEL "FIXED FLANGE"

Rabat  
Group

92400075	<b>Ø 2 1/2"-75mm</b>	Units per box: 6/K	B
92400090	<b>Ø 3"-90 mm</b>	Units per box: 6/K	B
92400110	<b>Ø 4"-110 mm</b>	Units per box: 4/T	B
92400125	<b>Ø 5"-125 mm</b>	Units per box: 4/K	B
92400140	<b>Ø 5"-140 mm</b>	Units per box: 4/K	B
92400160	<b>Ø 6"-160 mm</b>	Units per box: 1/D	B
92400200	<b>Ø 8"-200 mm</b>	Units per box: 1/S	B
92400250	<b>Ø 10"-250 mm</b>	Units per box: 1/K	B

### BUTTERFLY VALVE WITH SOCKET FLANGES FPM SEAT O-RINGS MODEL "FIXED FLANGE"

Rabat  
Group



92460075	<b>Ø 2 1/2"-75mm</b>	Units per box: 6/K	B
92460090	<b>Ø 3"-90 mm</b>	Units per box: 6/K	B
92460110	<b>Ø 4"-110 mm</b>	Units per box: 4/T	B
92460125	<b>Ø 5"-125 mm</b>	Units per box: 4/K	B
92460140	<b>Ø 5"-140 mm</b>	Units per box: 4/K	B
92460160	<b>Ø 6"-160 mm</b>	Units per box: 1/D	B
92460200	<b>Ø 8"-200 mm</b>	Units per box: 1/S	B
92460250	<b>Ø 10"-250 mm</b>	Units per box: 1/K	B

### PVC TUBES PN 7,5 COLOR GREY RAL 7011, LENGTH - 5 M



92157837	<b>Ø 63 mm</b>
92164035	<b>Ø 75 mm</b>
92128632	<b>Ø 90 mm</b>
92176238	<b>Ø 110 mm</b>
92186233	<b>Ø 125 mm</b>
92196239	<b>Ø 160 mm</b>
93108430	<b>Ø 200 mm</b>
93128431	<b>Ø 250 mm</b>
93148432	<b>Ø 315 mm</b>

### PVC TUBES PN 10 COLOR GREY RAL 7011, LENGTH - 5 M



92134233	<b>Ø 32 mm</b>
92144239	<b>Ø 40 mm</b>
92153939	<b>Ø 50 mm</b>
92157934	<b>Ø 63 mm</b>
92164132	<b>Ø 75 mm</b>
92128730	<b>Ø 90 mm</b>
92178737	<b>Ø 110 mm</b>
92178834	<b>Ø 125 mm</b>
92188830	<b>Ø 160 mm</b>
93109232	<b>Ø 200 mm</b>
93129233	<b>Ø 250 mm</b>

### PVC TUBES PN 16 COLOR GREY RAL 7011, LENGTH - 5 M

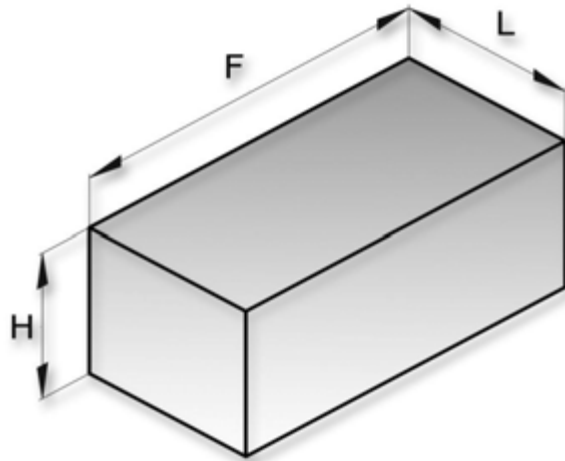


92129639	<b>Ø 20 mm</b>
92130637	<b>Ø 25 mm</b>
92134438	<b>Ø 32 mm</b>
92144433	<b>Ø 40 mm</b>
92154137	<b>Ø 50 mm</b>
92158230	<b>Ø 63 mm</b>
92164434	<b>Ø 75 mm</b>
92125730	<b>Ø 90 mm</b>
92178338	<b>Ø 110 mm</b>

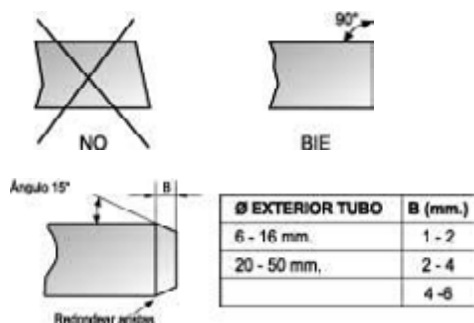


## PACKAGING

Type	Dimensiones (L x F x H)	Volume
A	24,5 x 12,0 x 10,5	0,003
B	36,7 x 18,7 x 10,7	0,007
C	39,2 x 29,2 x 13,7	0,016
D	39,5 x 29,5 x 28,0	0,033
H	59,3 x 39,3 x 27,3	0,064
I	51,0 x 38,3 x 31,5	0,061
J	50,0 x 47,0 x 25,5	0,06
K	54,0 x 48,0 x 34,6	0,09
L	56,5 x 27,5 x 49,5	0,077
M	49,0 x 26,0 x 37,0	0,047
N	48,0 x 29,5 x 24,0	0,034
P	24,5 x 24,0 x 20,0	0,012
Q	29,0 x 28,0 x 23,0	0,019
R	34,0 x 34,0 x 25,0	0,029
S	41,0 x 41,0 x 29,5	0,05
T	57,0 x 44,5 x 29,0	0,074
U	46,0 x 31,5 x 27,0	0,039
X	39,0 x 24,0 x 63,5	0,059



### RECOMMENDATIONS FOR SOLVENT CEMENT JOINTING OF PVC-U FITTINGS



Pipe must be cut off at right angles.

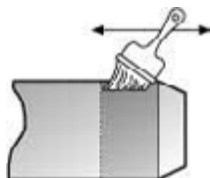
Chamfer the tube end in form and size as illustrated in the sketch.



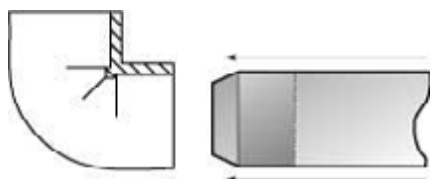
Mark the solvent cement position and clean the outside of the pipe and the inside of the socket with an absorbent paper or a clean cloth with the CH cleaner. The cleaned surface should have a matt finish. Do not touch the clean surface.



Check the correct consistency of the cement, it must run evenly from a wooden spatula held at a slant, like a thickened oil. Never use cement with grums or if it can not smoothly run.



Apply the cement to the pipe and to the fitting socket in an axial direction. Use a brush with the appropriate dimension.



Joint pipe and fitting without turning and before 1 minute from the cement application. Remove the surplus cement. For 90 mm. and larger pipes, two people are needed to clean and cement the pipe end and fitting socket simultaneously.

The drying time depends on the ambient temperature. By 20° C temperature, we recommend to wait 1 hour for each BAR of pressure. To apply the nominal pressure is recommended to wait 24 h.

The environmental conditions to use the CH solvent cement are from -5° a 30° C and in ventilated areas. The characteristics of the CH solvent cement are not affected by the relative humidity of atmosphere.

# **TERMS OF TRADE**

## **OF INFINITY POOL AND FILTER PRODUCTS S.R.O.**

### **Article 1 – Use and Liability**

- 1.1 All of the customer's orders must be made in writing and are binding for the customer until the seller has confirmed them in writing. Additional changes in orders must also be made in writing and confirmed in writing by the second party.
- 1.2 These terms of trade are valid for long-term and future business relationships. Their validity can be terminated or limited only if the parties conclude a different commercial contract.
- 1.3 The purchasing conditions for the customer are binding for the supplier only if he acknowledges them in writing.

### **Article 2 – Agreement on the Price of the Fulfilment**

- 2.1 All prices are determined according to the current pricelist of the supplier's products and services.
- 2.2 The prices are payable when purchasing the goods from the supplier's warehouse, with the exception of VAT of the lawful amount.

### **Article 3 – Orders and Changes of Deliveries**

- 3.1 The customer's orders have to include the description and the catalogue number of the product according to the details from the seller to prevent confusion of the goods and potential misunderstandings. It also has to include the required place and method of delivering the goods.
- 3.2 The goods can be returned, if necessary, only after a previous mutual agreement of both parties.

### **Article 4 – Delivery Deadlines**

- 4.1 The delivery deadlines are binding only if the supplier has confirmed them in writing. Any claims from delayed delivery of the goods are excluded. Partial deliveries are acceptable and every partial delivery will be invoiced for separately.
- 4.2 If the payment of invoices payable by customer is delayed, the supplier reserves the right to stop delivery of the remaining goods and the supplier has no right to compensation of the damaged resulting from this.
- 4.3 The deadline for the delivery can be prolonged in the case of unpredictable events out of the supplier's control (natural disasters, strikes, riots, etc.) occurring in the supplier's premises or in the premises of his subcontractors. In this case the deadline can be postponed until these barriers cease to exist.
- 4.4 Blanket orders of the goods are possible but they have to include the particular deadlines and amounts of goods.

### **Article 5 – Packaging and Delivery of the Goods**

- 5.1 Unless the parties have agreed otherwise, the supplier will choose the usual method of packaging and shipment at his discretion. The goods are delivered in solid cardboard wrapping, or are otherwise wrapped to prevent it from being damaged during the transport. Any special requirements regarding wrapping and packaging can be met according to the customer's wish and at his expense. The price of the delivery will be increased by the cost of the specially required packaging. The price of a EURO-pallet increases the price of the delivery.
- 5.2 The supplier is not responsible for the damage caused during the transport of the goods to the customer (INCOTERMS 91).
- 5.2 Upon the delivery the customer has to check the shipment he is taking over, especially potential damage of the palette, taping, number of boxes against the number stated in the despatch note, and, if one of the boxes has been damaged, he has to check the number of products in the damaged box.
- 5.4 The supplier provides no guarantee in the case of damage that occurred during the transport of the goods. If the customer transports the goods himself, he or a third person authorised by him is responsible for the goods. It is possible to insure the goods against the usual damages during their transport to the customer upon the customer's request and for a consideration.

### **Article 6 – Payment Terms**

- 6.1 All payments are made according to the supplier's invoice, which can be issued in CZK, EUR, or any other official currency. The binding maturity

date of the invoice is stated on it and is valid, unless the parties have agreed on a different maturity date.

- 6.2 If the customer does not pay the invoice within its maturity date, the supplier can demand the payment and invoice the customer for the interest on late payment calculated on the basis of the interest rate published by Czech National Bank. He is also entitled to demand an immediate payment of the receivable and the interest on late payment through the courts.
- 6.3 Payment with a cheque is acceptable only if the cheques are covered and the customer bears all costs connected with verification of the cheque.

### **Article 7 – Reservation of Ownership**

- 7.1 The supplier is the owner of the goods until they are fully paid by the customer.
- 7.2 The supplier will use any payment from the customer to cover his potential receivables from the customer.

### **Article 8 – Claims and Guarantee**

- 8.1 Any faults apparent during the takeover of the goods can be claimed within 5 days from the day the goods were taken over. In general, the guarantee is 24 months from purchasing the goods from the supplier's warehouse, unless the supplier states, or the parties have agreed otherwise. The guarantee for wrapped and laminated containers is 60 months; the guarantee for their inner parts and accessories is 12 months. Any consumption goods with a lifetime of less than 24 months are excluded from the guarantee if they are damaged by excessive wear and tear that has not been caused by the product itself, or that have been caused by their misuse, wrong manipulation, breach of the operational conditions, incompetent operation, third persons' actions, force majeure, use of unsuitable operational means and their use, which is not in accordance with the usual use, or maintenance of the goods.
- 8.2 No potential mutual receivables exclude the customer from the obligation to pay for the purchased goods.
- 8.3 The handover of a documentation relating to the goods, including manuals, and the particular basic wrapping, is also a part of the fulfilment.

### **Article 9 – Final Provisions**

- 9.1 These Terms of Trade are valid from the day they are issued until their cancellation.
- 9.2 These Terms of Trade are valid unless the parties agree on different terms of trade in a different particular contract.

**INFINITY pool and filter products s.r.o.**

- FILTERS FOR COMMERCIAL POOLS
- FILTERS FOR PRIVATE POOLS
- FILTRATION UNITS



- PUMPS & BLOWERS
- WALL FITTINGS
- MEASURING & CONTROL UNITS,  
DOSING PUMPS



- HEATING FOR SWIMMING POOL WATER ●
- SWIMMING POOL ATTRACTION ●
- ACCESSORIES FOR SWIMMING POOLS ●
- SWIMMING POOL COVERS ●
- PVC FITTINGS AND PIPES ●



**INFINITY Pool & Filter Products, s.r.o.**

Address: Družstevní 1396/6, 140 00 Praha 4, CZ  
 Production address: Revoluční 15/564, 357 33 Lohet, CZ  
 Tel./fax: +420 244 914 558, e-mail: info@infinityfp.cz

[www.infinityfp.com](http://www.infinityfp.com)

**INFINITY**  
 Pool & Filter Products