

ACCESSORIES FOR SWIMMING POOLS



CLEANING EQUIPMENT

TEST SETS



- 540700 **Test kit CI+pH**
- Measurement by the help of tablets
 - 30 pcs in kit

**Rabat
Group**

C

- 540701 **Spare tablets pH+Cl - 30 pcs**
- 30 pcs in package

C

VAC HEADS



- 540703 **Vac head - Premium de Luxe**
- With side brushes
 - Ø 32/38 mm connection for clip

**Rabat
Group**

C



- 540704 **Holder**
- For VAC head - Premium

C



- 540705 **Vac head for cleaning corners**
- Ø 32/38 mm connection for clip

C



- 540502 **Vac head flexible**
- Ø 38 mm connection for clip
 - Ø flexible vacuum cleaner

C

HANDLES



- 540121 **Telescopic handle 1,2 - 3,6**
- 3-piece

**Rabat
Group**

C

- 540120 **Telescopic handle 1,8 - 3,6 m**
- 2-piece

C

- 540020 **Telescopic handle 1,5 - 4,5 m**
- 3-piece

C



- 540021 **Telescopic handle 2,4 - 4,8 m**
- 2-piece

C

VAC HEAD HOSE



		Rabat Group
540706	Hose Ø 38 mm - 6m	C
540707	Hose Ø 38 mm - 9m	C
540708	Hose Ø 38 mm - 12m	C
3160838	Hose Ø 38 mm - 8m - including fittings	C
3161038	Hose Ø 38 mm - 10m - including fittings	C
3161238	Hose Ø 38 mm - 12m - including fittings	C
3161538	Hose Ø 38 mm - 15m - including fittings	C

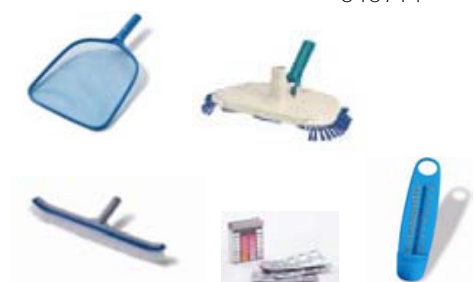
HOSE SOCKET

- With hose clips
- Packing 2 pcs



		Rabat Group
540709	Hose socket 1½" - red. Ø 32 - Ø 38	C
540710	Hose socket Ø 32	C
540711	Hose socket Ø 38	C
540712	Hose socket Ø 32 - Ø 38	C

MAINTENCE KITS



		Rabat Group
540713	Vac head kit LUXUS <ul style="list-style-type: none"> ■ With side brushes ■ VAC head hose 7,5m ■ Telescopic handle 1,8 - 3,6 m 	C
540714	Maintence KIT - INFINITY <ul style="list-style-type: none"> ■ With side brushes Premium de Lux ■ Pooltester ■ Brush - aluminium ■ Flat leaf skimmer with aluminium frame ■ Brush curved ■ Thermometer JUMBO 	C

LEAF


- 540715 **Flat leaf skimmer PROFI**
- All-plastic
 - Strong net 38 x 38 cm
 - Unbreakable

**Rabat
Group**

C



- 540716 **Leaf skimmer PROFI**
- All-plastic
 - Strong net 50 x 28 cm
 - Unbreakable

C



- 540717 **Flat leaf skimmer ALU**
- Frame is made from plastic material reinforced with aluminium
 - New resistant design

C



- 540718 **Leaf skimmer ALU**
- Frame is made from plastic material reinforced with aluminium
 - New resistant design

C



- 540719 **Flat leaf skimmer BASIC**
- Frame is made from plastic material
 - Aluminium handle 150 cm

C

FLOATING DISPENSER


- 540720 **Floating dispenser MEDIUM**
- For small tablet

**Rabat
Group**

C



- 540721 **Floating dispenser LARGE**
- For large tablet

C

BRUSHES


- 540722 **Brush ALU - 45 cm**
- Frame is made from plastic material reinforced with aluminium

**Rabat
Group**

C



- 540723 **Brush PROFI - 25 cm**
- Made from plastic material

C

BRUSHES

Rabat Group



540724 **Brush PROFI - 50 cm**
■ Made from plastic material

C



540725 **Brush curved - 42 cm**

C



540726 **Hand brush**
■ New design for good cleaning

C



540727 **Cleaning sponge - 2 pcs**
■ New design for good cleaning

C

THERMOMETERS

Rabat Group



540728 **Thermometer JUMBO**
■ Made from plastic material
■ String 25 cm

C



540729 **Thermometer floating**
■ Made from plastic material
■ Length 17,5 cm

C



540730 **Digital thermometer - round**
■ Made from plastic material
■ Floating thermometer with digital indicator

C



540731 **Thermometer - round**
■ Made from plastic material
■ Floating thermometer with analog indicator
■ Measuring in depth 30 cm

C



540732 **Thermometer BUOY**
■ Resistant design
■ String

C

AUTOMATIC VACUUM HEAD

AUTOMATIC VACUUM HEAD WOBBLE

- Automatic vacuum head for connection to the current filtration through the medium of suction hose which is delivered
- Wobbleod Infinity is perfect automatic vacuum head for fast cleaning of the swimming bottom
- Capacity of the pump: min. 6 m³/h.



540733

Automatic vacuum head WOBBLE

- Including 10 m hose and assembly kit

**Rabat
Group**

C

AUTOMATIC VACUUM HEAD INFINITY

- Automatic vacuum head for all swimming pools forms, max. pool dimensions **7 x 15 m**
- Automatic pool cleaner with 400 mm suction width, with two 180 Micron filter bags
- Weight: 9 kg (transportation cart not included)
- Operation voltage 12 Volt, supply voltage: 230 Volt
- Performance: 16.200 liters per hour, speed 0,2 meter per second, with smooth speciality rollerbrushes (wonderbrushes), which are able to clean every type of pool surfaces
- Cleaning time: cca. 2-3 hours, lower consumption of chemicals products cartridge: 50 micron
- Cleaning of walls
- 25 meter floating cable

801092 **Automatic vacuum head INFINITY**
**Rabat
Group**

A

530300012 **Wonderbrush - 1 pcs**

- For ceramic swimming pools

A



Scope of delivery:

- transport cart
- trafo 24 V
- cable 17 m



LADDERS

model STANDARD

- Manufactured from stainless steel **AISI 304**
- Pipe diameter **Ø40 mm**



ANATOMIC TREADS - AISI 304

		Weight [kg]	a [mm]	Rabat Group
610022	Steps: 2	10,0	696	C
610023	Steps: 3	11,8	946	C
610024	Steps: 4	13,2	1196	C
610025	Steps: 5	14,0	1446	C

WITH NON-SLIP TREADS - AISI 304

610001	Steps: 2	10,0	696	C
610002	Steps: 3	11,8	946	C
610003	Steps: 4	13,2	1196	C
610004	Steps: 5	14,0	1446	C

WITH NON-SLIP TREADS - AISI 316

610040	Steps: 2	10,0	696	C
610041	Steps: 3	11,8	946	C
610042	Steps: 4	13,2	1196	C
610043	Steps: 5	14,0	1446	C

model MURO

- Manufactured from stainless steel **AISI 304**
- Pipe diameter **Ø40 mm**



ANATOMIC TREADS - AISI 304

		Weight [kg]	a [mm]	Rabat Group
610026	Steps: 2	10,0	696	C
610027	Steps: 3	11,8	946	C
610028	Steps: 4	13,2	1196	C
610029	Steps: 5	14,0	1446	C

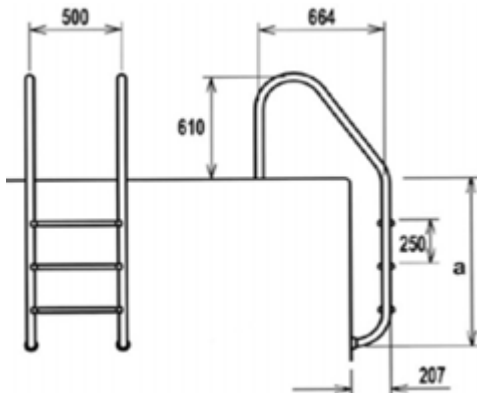
WITH NON-SLIP TREADS - AISI 304

610005	Steps: 2	10,0	696	C
610006	Steps: 3	11,8	946	C
610007	Steps: 4	13,2	1196	C
610008	Steps: 5	14,0	1446	C

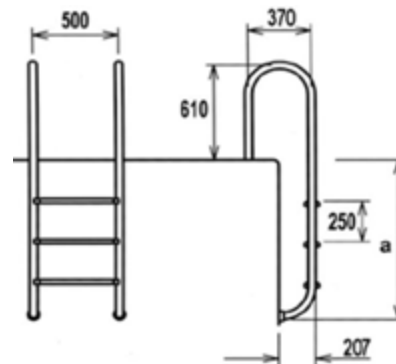
WITH NON-SLIP TREADS - AISI 316

610044	Steps: 2	10,0	696	C
610045	Steps: 3	11,8	946	C
610046	Steps: 4	13,2	1196	C
610047	Steps: 5	14,0	1446	C

▼ **model STANDARD**



▼ **model MURO**



model MIXTA

- Manufactured from stainless steel **AISI 304**
- Pipe diameter **Ø40 mm**



ANATOMIC TREADS - AISI 304

610048	Steps: 2
610049	Steps: 3
610050	Steps: 4
610051	Steps: 5

Weight [kg]	a [mm]	Rabat Group
10,0	696	C
11,8	946	C
13,2	1196	C
14,0	1446	C

WITH NON-SLIP TREADS - AISI 304

610009	Steps: 2
610010	Steps: 3
610011	Steps: 4
610012	Steps: 5

10,0	696	C
11,8	946	C
13,2	1196	C
14,0	1446	C

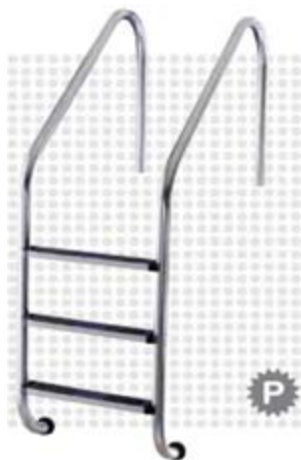
WITH NON-SLIP TREADS - AISI 316

610052	Steps: 2
610053	Steps: 3
610054	Steps: 4
610055	Steps: 5

10,0	696	C
11,8	946	C
13,2	1196	C
14,0	1446	C

model STANDARD - OVERFLOW

- Manufactured from stainless steel **AISI 304**
- Pipe diameter **Ø40 mm**



WITH NON-SLIP TREADS - AISI 304

610030	Steps: 2
610031	Steps: 3
610032	Steps: 4
610033	Steps: 5

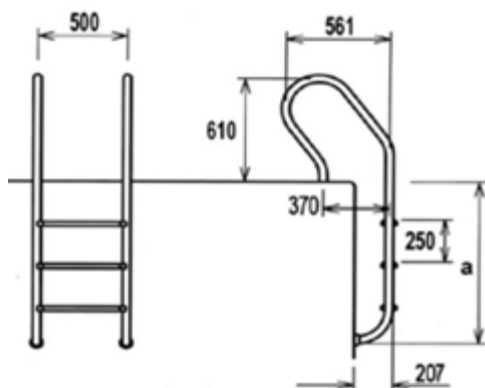
Weight [kg]	a [mm]	Rabat Group
10,0	696	C
12,0	946	C
14,0	1196	C
15,0	1446	C

WITH NON-SLIP TREADS - AISI 316

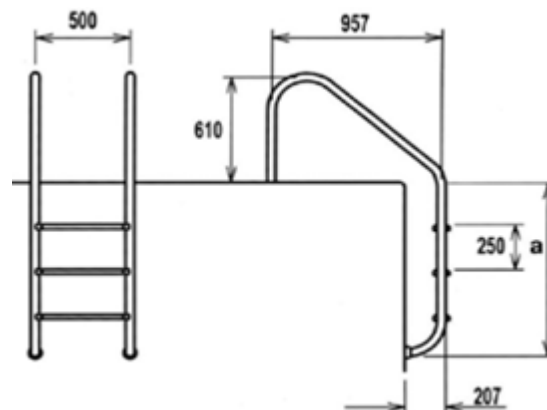
610056	Steps: 2
610057	Steps: 3
610058	Steps: 4
610059	Steps: 5

10,0	696	C
12,0	946	C
14,0	1196	C
15,0	1446	C

▼ **model MIXTA**



▼ **model STANDARD - OVERFLOW**



model TWO PIECES

- Manufactured from stainless steel **AISI 304**
- Pipe diameter **Ø40 mm**



ANATOMIC TREADS - AISI 304

610060	Steps: 2
610061	Steps: 3
610062	Steps: 4
610063	Steps: 5

Weight [kg]	a [mm]	Rabat Group
21,5	515	C
22,5	765	C
23,5	1015	C
24,5	1265	C

WITH NON-SLIP TREADS - AISI 304

610013	Steps: 2
610014	Steps: 3
610015	Steps: 4
610016	Steps: 5

21,5	515	C
22,5	765	C
23,5	1015	C
24,5	1265	C

WITH NON-SLIP TREADS - AISI 316

610064	Steps: 2
610065	Steps: 3
610066	Steps: 4
610067	Steps: 5

21,5	515	C
22,5	765	C
23,5	1015	C
24,5	1265	C

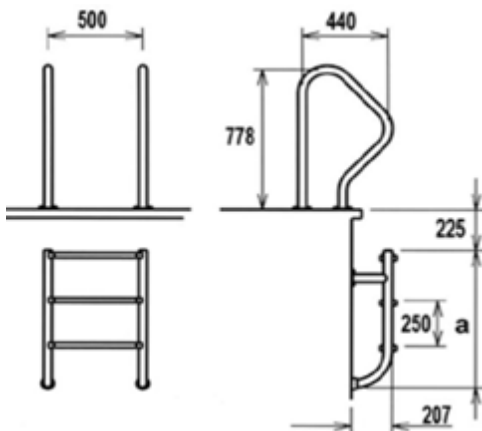
model ABOVE GROUND

- Manufactured from stainless steel **AISI 304**
- Pipe diameter **Ø40 mm**

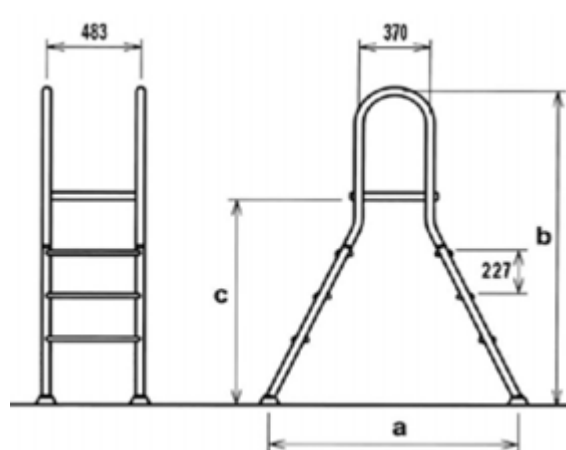


		Weight [kg]	a [mm]	b [mm]	c [mm]	Rabat Group
610034	s. 3/3	21,5	1155	1670	1065	C
610035	s. 4/4	22,5	1350	1900	1295	C
610036	s. 5/5	23,5	1545	2130	1525	C











▼ **model TWO PIECES**



▼ **model ABOVE GROUND**



ACCESSORIES TO LADDERS

			Rabat Group
	610018	Escutcheon - AISI 304 ■ Units per package: 2	C
	610086	Escutcheon - AISI 316 ■ Units per package: 2	C
	610019	Anchor - PVC ■ Units per package: 2	C
	610020	End cap ■ Units per package: 2	C
	610039	Screw with washer - AISI 304 ■ Units per package: 10	C
	610021	Anatomic tread	C
	610037	Non-slip tread	C
	610038	Safety double tread	C
	610070	Anchor with flange ■ Units per package: 2	C
	610071	Articulated anchor with flange ■ Units per package: 2	C
	610072	Articulated anchor ■ Units per package: 2	C

HANDRAILS

■ Manufactured from stainless steel **AISI 304**

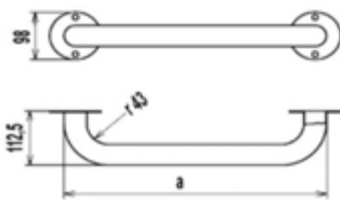
			a [mm]	Weight [kg]	Rabat Group
	630005	Handrails Ø43 mm - 1,0 m	1000	2,2	C
	630007	Handrails Ø43 mm - 2,0 m	2000	3,4	C
	630008	Handrails Ø43 mm - 3,0 m	3000	4,8	C

■ Manufactured from stainless steel **AISI 316**

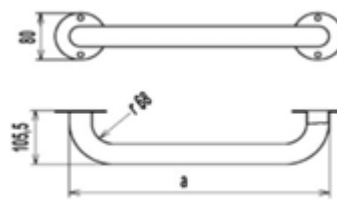
	630014	Handrails Ø35mm - 0,8 m	800	1,1	C
	630015	Handrails Ø35mm - 1,2 m	1200	1,45	C
	630016	Handrails Ø35mm - 1,8 m	1800	2,25	C

■ Manufactured from stainless steel **AISI 304**

▼ **Handrails Ø43 mm**



▼ **Handrails Ø35 mm**



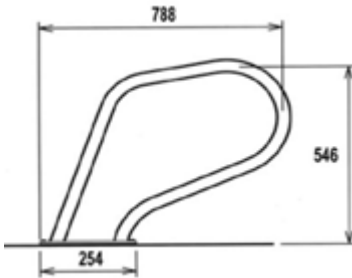
EXIT HANDRAILS

■ Manufactured from stainless steel **AISI 316**

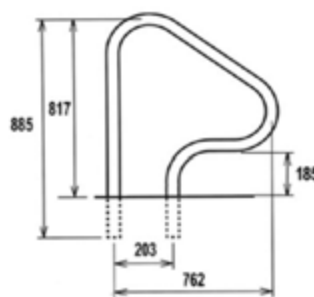
			Weight [kg]	Rabat Group	
	630009	Exit handrails SPA	Fig. 1	4,0	C
	630010	Exit handrails Figure 2	Fig. 2	3,3	C
	630011	Exit handrails FX-01	Fig. 3	4,5	C
	630012	Exit handrails FX-02	Fig. 4	5,1	C
	630013	Exit handrails Two pieces	Fig. 5	7,0	C

■ Manufactured from stainless steel **AISI 304**

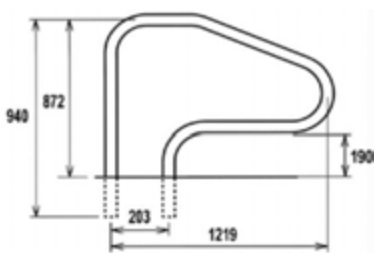
▼ **Fig. 1 (Welded flange)**



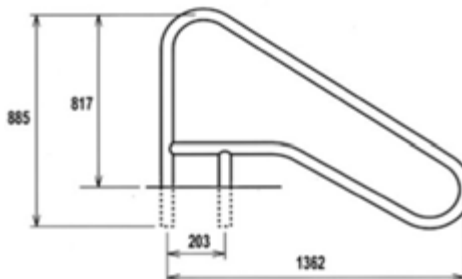
▼ **Fig. 2 (To be built-in)**



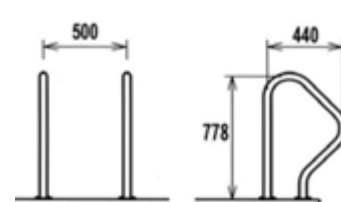
▼ **Fig. 3 (To be built-in)**



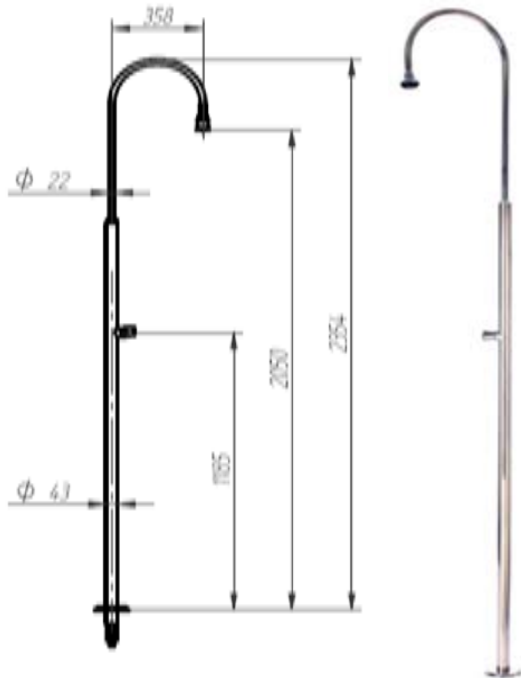
▼ **Fig. 4 (To be built-in)**



▼ **Fig. 5 (Welded flange)**



SHOWERS



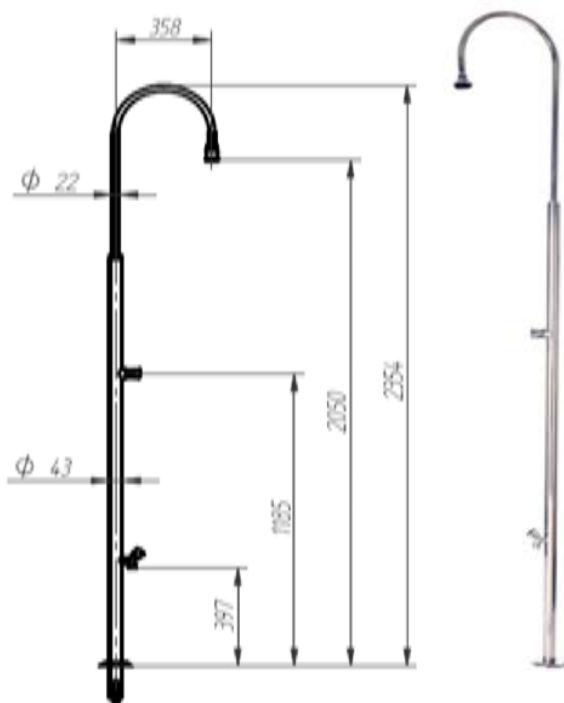
620001

STANDARD

Rabat Group

C

- Incl. anchor
- Complete with cold water tap
- Made of stainless steel **AISI 304**
- Water connection **1 1/2"**
- For private pools.



620002

STANDARD PLUS

Rabat Group

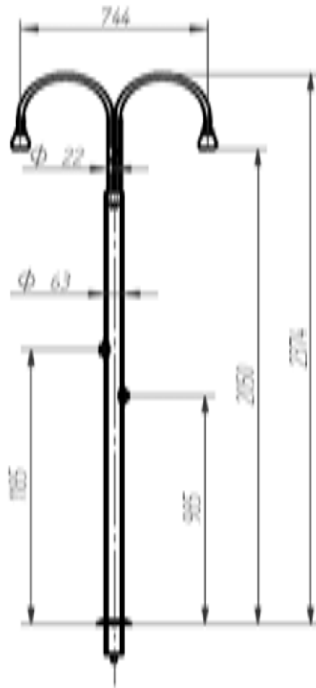
C

- Incl. anchor
- Complete with cold water tap
- Made of stainless steel **AISI 304**
- Water connection **1 1/2"**
- For private pools.
- Foot bath tap



SHOWERS

Rabat Group



620004

DOUBLE

C

- Complete with cold water tap
- Made of stainless steel **AISI 304**
- Water connection **1 1/2"**
- For private pools.



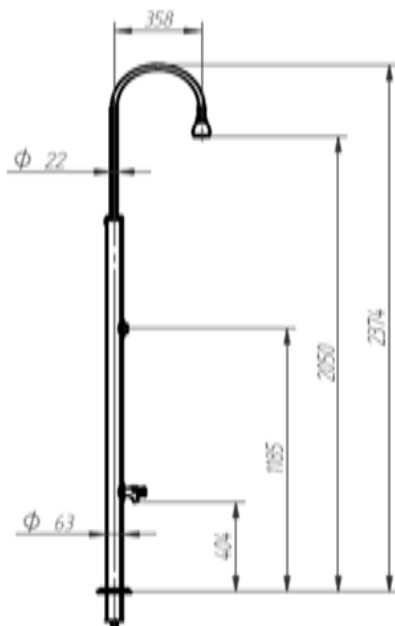
Rabat Group

620003

AUTOMATIC

C

- Complete with cold water tap
- Made of stainless steel **AISI 304**
- Water connection **1 1/2"**
- For private pools.
- Mixing battery
- Automatic closure valve



610068

AUTOMATIC - MIX

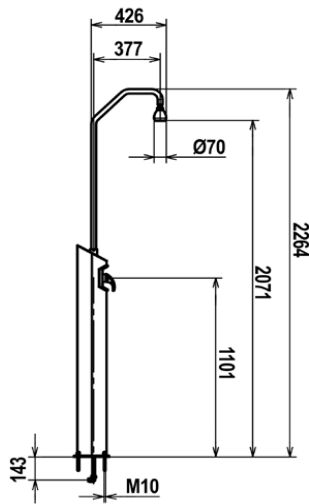
Rabat Group

C

- Complete with cold water tap
- Made of stainless steel **AISI 304**
- Water connection **1 1/2"**
- For private pools.
- Mixing battery
- Automatic closure valve
- With feetwasher

SHOWERS

Rabat Group



620011

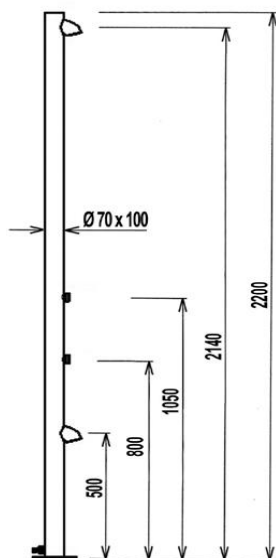
COLD & HOT WATER WITH MIXING TAP

C



- Complete with cold water tap
- Made of stainless steel **AISI 304**
- Mixing battery
- Includes screws for assembling
- No anchor needed.

Rabat Group



620012

OVAL WITH FEETWASHER

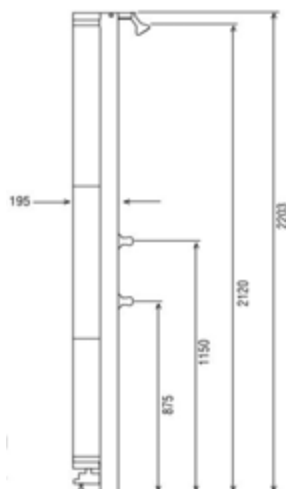
C



- Includes screws for assembling
- Made of stainless steel **AISI 304**
- Automatic valve
- Fast connection
- No anchor needed.

Rabat Group

SOLAR SHOWER



610069

SOLAR CEZAR

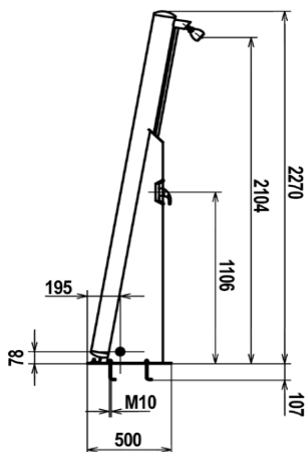
C



- Tank capacity 25 litres.
- Made of stainless steel **AISI 304**
- New design with better stability
- Fast connection
- No anchor needed.
- Warming - up through sunlight

SOLAR SHOWER

Rabat Group



620013

SOLAR

C



- Tank capacity 30 litres.
- Made of stainless steel **AISI 304**
- Mixing battery tap
- Fast connection
- No anchor needed.

Rabat Group



610074

Solar shower - stainless steel

C

- Tank capacity 20 litres.
- Mixing battery hot / cold
- Variable shower head
- Connection for garden hose

610075

Spare tank - 20 l

C

ACCESSORIES FOR SHOWERS

620009

Ø 43

Connection for showers

C



620010

Ø 63

Connection for showers

C

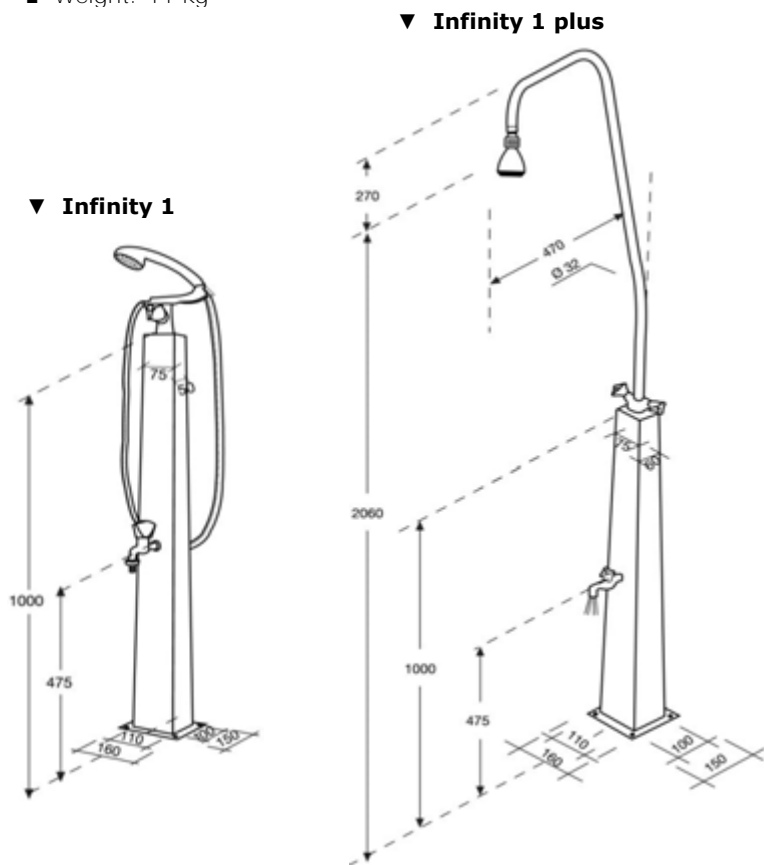


SHOWERS INFINITY

- Made of stainless steel **AISI 304 mirror-polished**
- Valves: Chrome-plated brass
- Backwall: Removable
- Shower head: Revolving
- Water connection: Outside thread 1/2"
- Fixing: 4 dowels M8 x 50 mm, 4 stainless steel-screws M10 x 50



		Rabat Group
620005	Infinity 1 ■ Cold water with drain cock ■ Weight: 9 kg	C
620006	Infinity 1 plus ■ Mix-battery with drain cock ■ Weight: 11 kg	C
620007	Infinity 2 ■ Cold water with drain cock ■ Weight: 9 kg	C
620008	Infinity 2 PLUS ■ Mix-battery with drain cock ■ Weight: 11 kg	C



OWERFLOW

OWERFLOW GRATINGS CURVE MODULE



				Rabat Group
540201	20 x 195 mm	Box/380 pcs - 45 units/1 m		C
540202	20 x 245 mm	Box/320 pcs - 45 units/1 m		C
540112	20 x 295 mm	Box/280 pcs - 45 units/1 m		C
540203	34 x 195 mm	Box/380 pcs - 45 units/1 m		C
540204	34 x 245 mm	Box/320 pcs - 45 units/1 m		C
540113	34 x 295 mm	Box/280 pcs - 45 units/1 m		C

OWERFLOW GRATINGS



				Rabat Group
540205	20 x 195 mm	Box/380 pcs - 45 units/1 m		C
540206	20 x 245 mm	Box/320 pcs - 45 units/1 m		C
540114	20 x 295 mm	Box/280 pcs - 45 units/1 m		C
540207	34 x 195 mm	Box/380 pcs - 45 units/1 m		C
540208	34 x 245 mm	Box/320 pcs - 45 units/1 m		C
540115	34 x 295 mm	Box/280 pcs - 45 units/1 m		C

OWERFLOW CORNER 90°



				Rabat Group
540209	20 x 200 mm			C
540210	20 x 250 mm			C
540116	20 x 300 mm			C
540211	34 x 200 mm			C
540212	34 x 250 mm			C
540117	34 x 300 mm			C

OWERFLOW CORNER 45°


540213	20 x 200 mm
540214	20 x 250 mm
540118	20 x 300 mm
540215	34 x 200 mm
540216	34 x 250 mm
540119	34 x 300 mm

**Rabat
Group**

C
C
C
C
C
C

OWERFLOW GRATE CHANEL PROFILE

540200	Profil 2 m - 1 piece
--------	-----------------------------

**Rabat
Group**

C